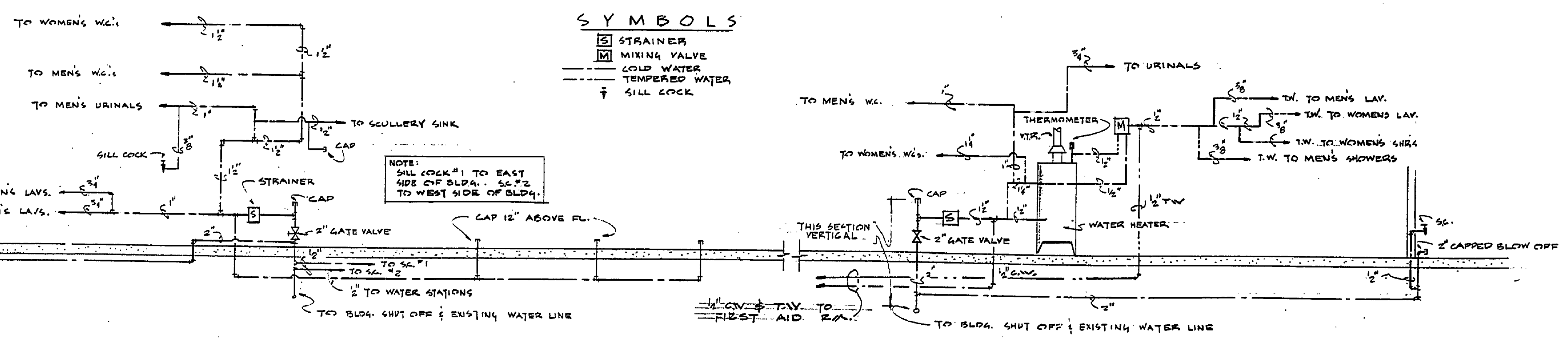
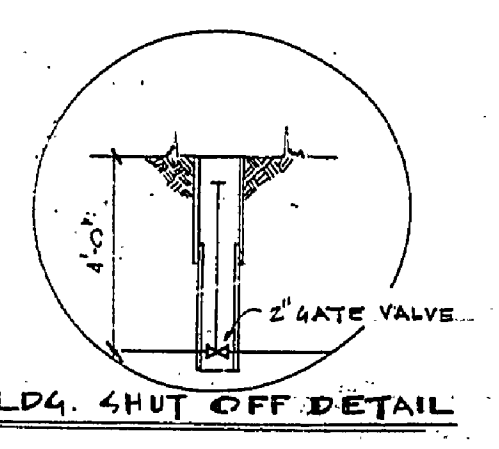
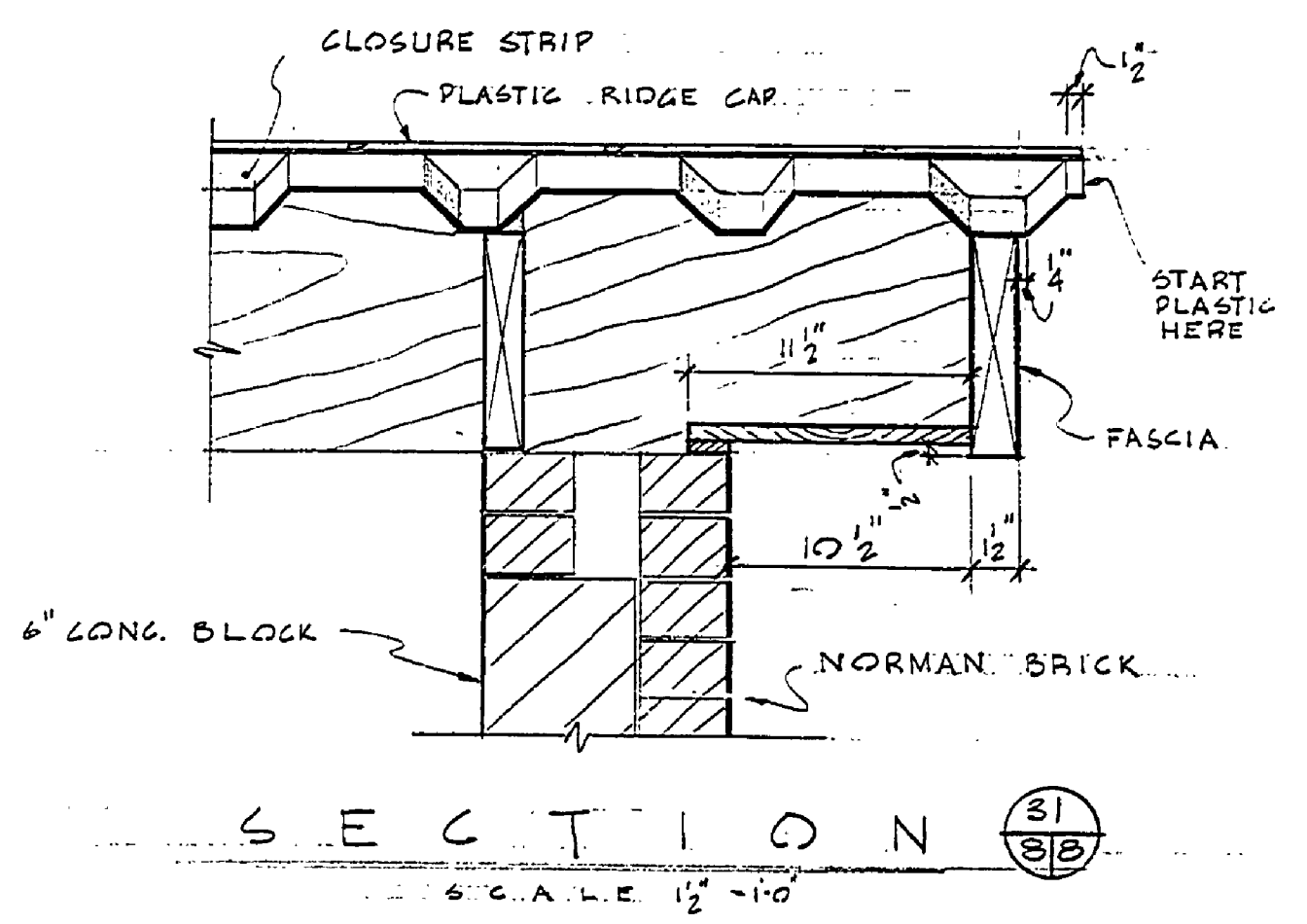
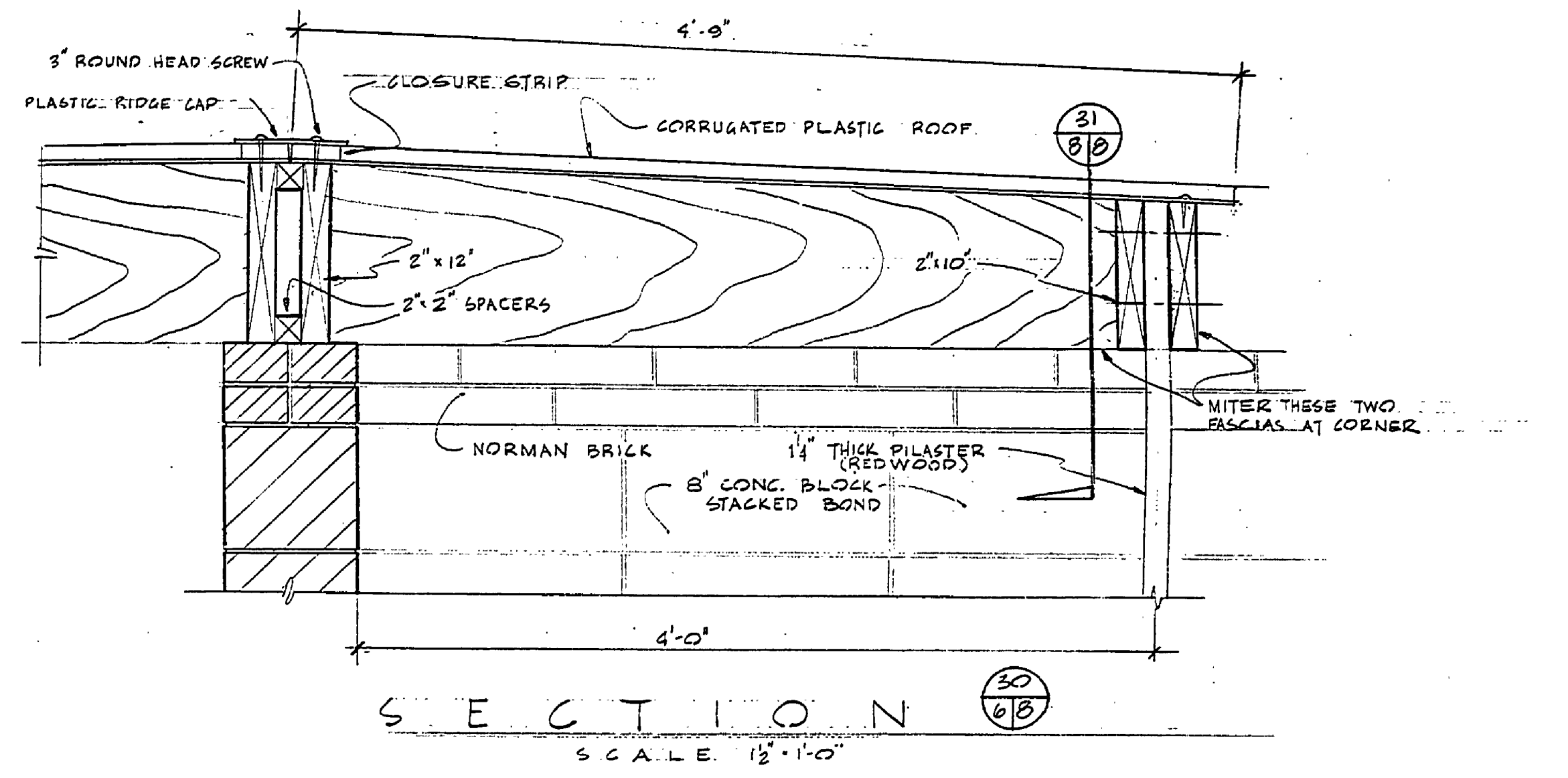
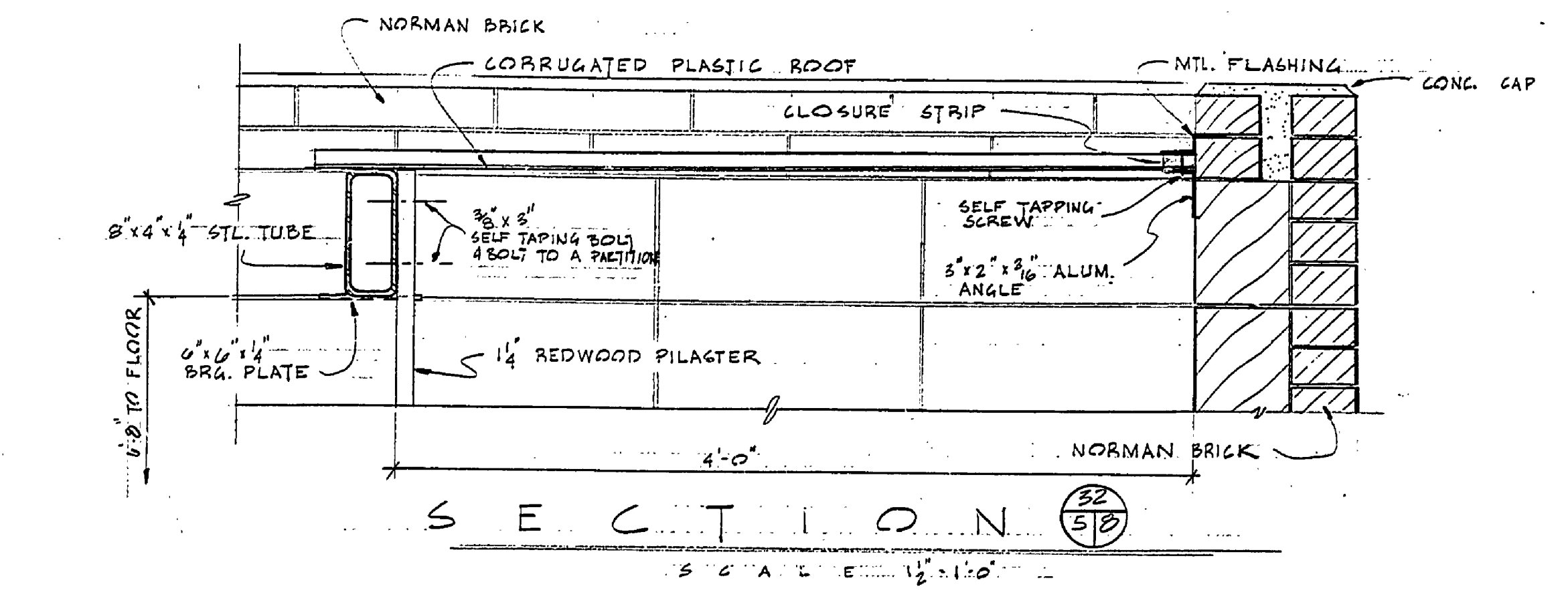


PLUMBING PLAN
WATER SUPPLY
 SCALE 1/8" = 1'-0"



PLUMBING RISER DIAGRAM
 NO. 1 SCALE

SURVEYED BY	DRAWN BY JAC	NO. 1	DATE	BY	REVISIONS	NO. 2	DATE	BY	REVISIONS	MICHIGAN DEPARTMENT OF CONSERVATION	YANKEE SPRINGS RECREATION AREA BEACHHOUSE & CONCESSION	SHEET NO. 8 OF 9 FOR PROJECT NO. 999-2272-276-023-C1	PLUMBING PLAN PLUMBING RISER
DESIGNED BY	CHECKED BY	1.				3.							
DATE	DATE	2.				4.							

SHRIMP FINISH LUMBER ON BRIDGE DECK ROOF DRAINAGE