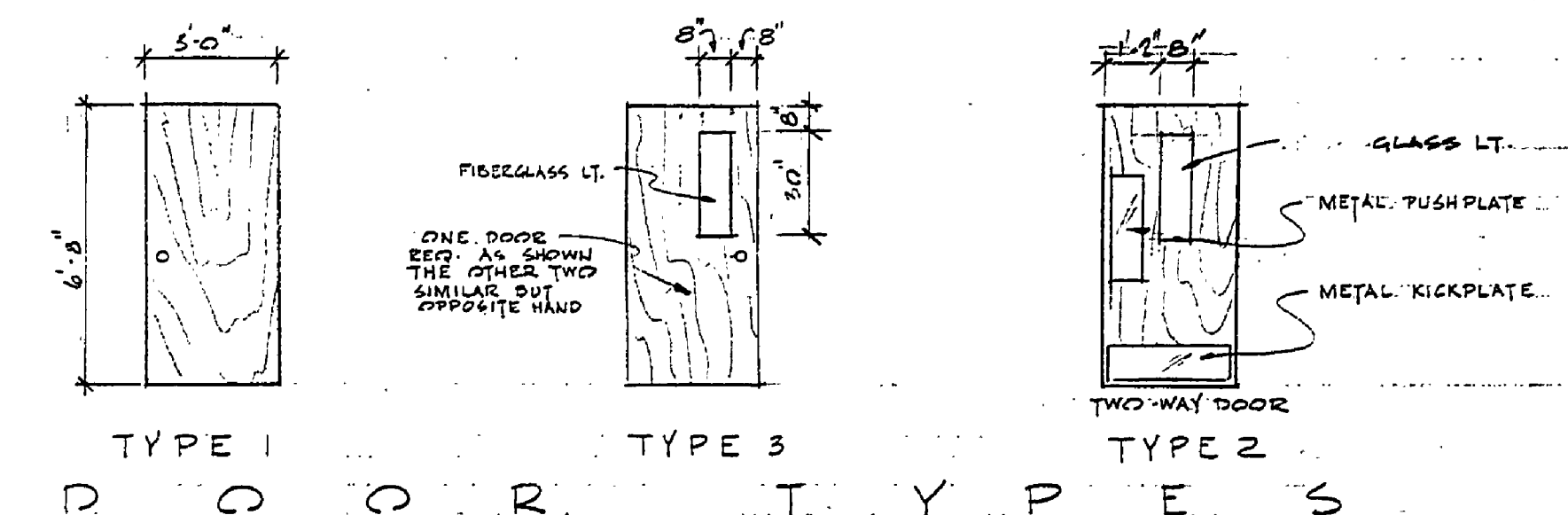


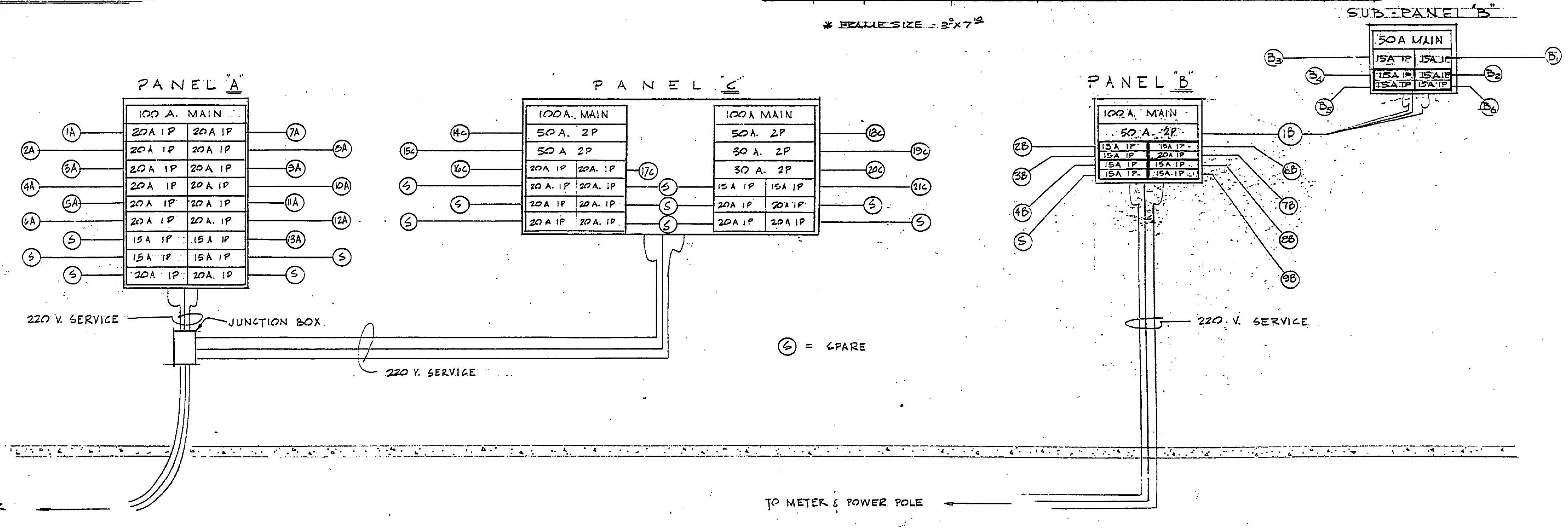
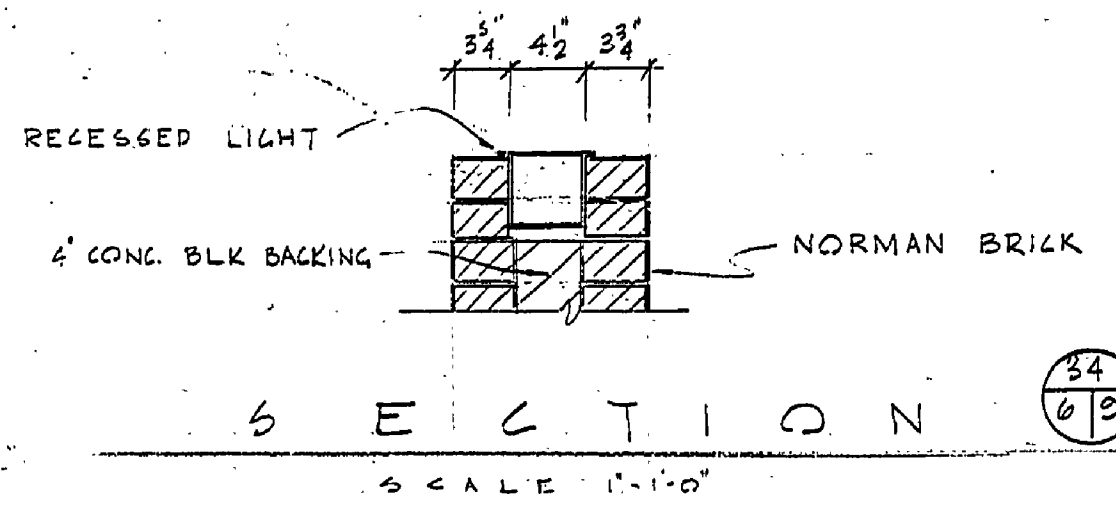
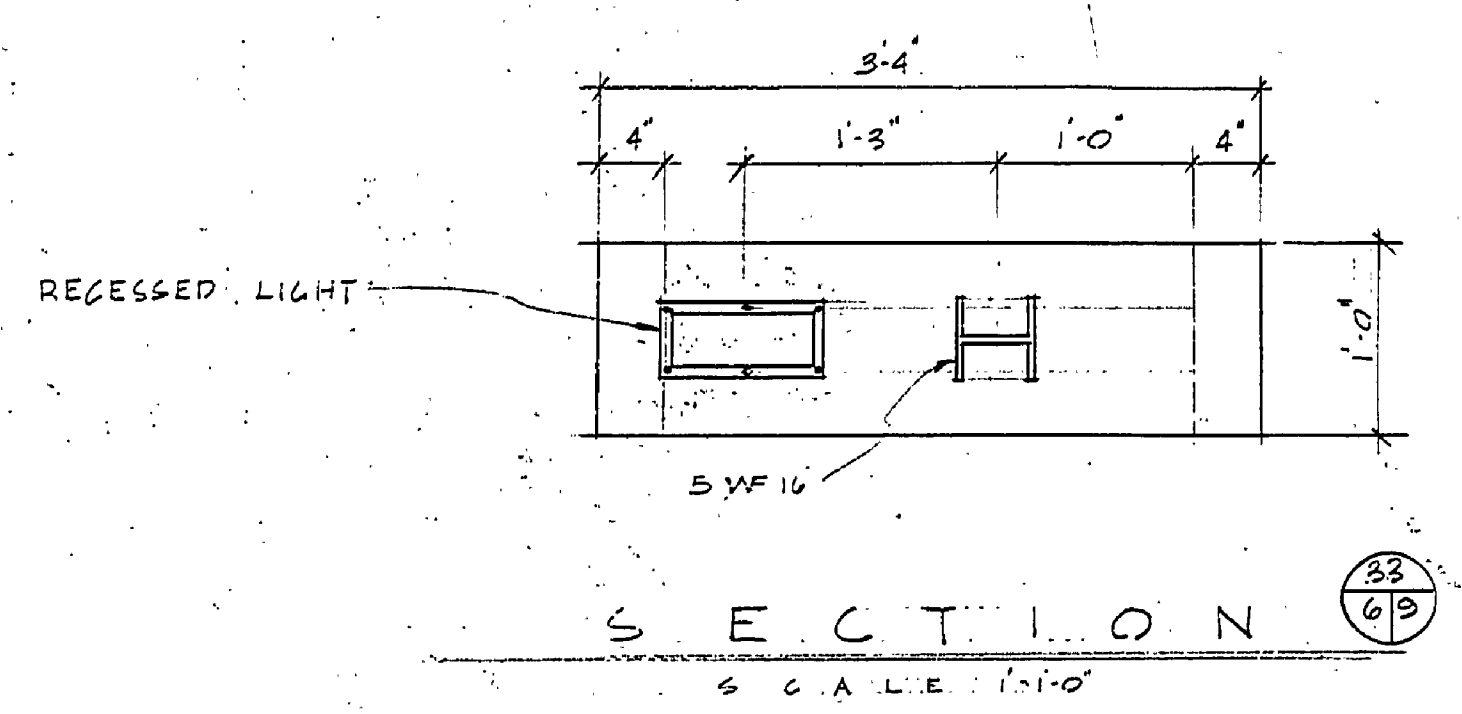
ELECTRICAL PLAN

SCALE 1/8" = 1'-0"

| ROOM | FINISH SCHEDULE | | | | | | | | | | REMARKS | |
|------------------------------|-----------------|--------------|---------------|---------------|---------------|------------|------------|------------|------------|------------|------------|-------------------------------------|
| | FLOORS | BASE | WALLS | CEILING | WOOD WORK | | | | | | | |
| | QUARRY TILE | CERAMIC TILE | CONCRETE TILE | CONCRETE TILE | CONCRETE TILE | WOOD FLUSH | WOOD FLUSH | WOOD FLUSH | WOOD FLUSH | WOOD FLUSH | WOOD FLUSH | |
| MENS DRESSING COURT | • | • | • | • | • | • | • | • | • | • | • | |
| TOILET MENS DRESSING COURT | • | • | • | • | • | • | • | • | • | • | • | QUARRY TILE BEHIND W.C.'S & URINALS |
| SHOWERS | • | • | • | • | • | • | • | • | • | • | • | |
| WOMENS DRESSING COURT | • | • | • | • | • | • | • | • | • | • | • | |
| TOILET WOMENS DRESSING COURT | • | • | • | • | • | • | • | • | • | • | • | QUARRY TILE BEHIND W.C.'S & FLOORS |
| SHOWERS | • | • | • | • | • | • | • | • | • | • | • | |
| PIPE ALLEYS | • | • | • | • | • | • | • | • | • | • | • | |
| LOCKER ROOM | • | • | • | • | • | • | • | • | • | • | • | UNPAINTED WALLS AND FLOORS |
| FIRST AID ROOM | • | • | • | • | • | • | • | • | • | • | • | |
| CONCESSION OFFICE | • | • | • | • | • | • | • | • | • | • | • | |
| STORAGE & WORK ROOM | • | • | • | • | • | • | • | • | • | • | • | |
| CONCESSION AREA | • | • | • | • | • | • | • | • | • | • | • | |
| MENS LAVATORY | • | • | • | • | • | • | • | • | • | • | • | RUBBER BASE AT REAR COUNTER |
| WOMENS LAVATORY | • | • | • | • | • | • | • | • | • | • | • | RT. @ LAVS, W.C.'S AND URINALS |



| NO. | TYPE | SIZE | MATERIAL | FINISH | REMARKS | NO. REQ. |
|-----|------|-----------|------------|--------|---|----------|
| 1 | 3 | 36" x 68" | WOOD FLUSH | ALUM. | INSTALL 8" x 30" FIBERGLASS LIGHT | 1 |
| 2 | 3 | 36" x 68" | WOOD FLUSH | ALUM. | | 1 |
| 3 | 1 | 36" x 68" | WOOD FLUSH | ALUM. | | 1 |
| 4 | 1 | 36" x 68" | WOOD FLUSH | ALUM. | | 1 |
| 5 | 2 | 36" x 68" | WOOD FLUSH | ALUM. | TWO WAY DOOR W/ 8" x 30" FIBERGLASS LT. | 1 |
| 6 | 2 | 36" x 68" | WOOD FLUSH | ALUM. | TWO WAY DOOR W/ 8" x 30" FOL. LT. | 1 |
| 7 | 1 | 36" x 68" | WOOD FLUSH | ALUM. | INSTALL 8" x 30" FIBERGLASS LIGHT | 1 |
| 8 | 1 | 36" x 68" | WOOD FLUSH | ALUM. | | 1 |
| 9 | 3 | 36" x 68" | WOOD FLUSH | ALUM. | | 1 |
| 10 | 1 | 36" x 68" | STEEL | | OVERHEAD ROLLING DOOR (SEE SPEC) | 1 |
| 11 | | | STEEL | | | 1 |
| 12 | | | STEEL | | | 1 |
| 13 | | | STEEL | | | 1 |
| 14 | | | STEEL | | | 1 |
| 15 | | | STEEL | | | 1 |
| 16 | | | STEEL | | | 1 |
| 17 | 1 | 36" x 68" | ALUM. | | PYRAMID ROLLING DOOR | 1 |
| 18 | 1 | 36" x 68" | WOOD FLUSH | ALUM. | | 1 |
| 19 | 1 | 36" x 68" | ALUM. | | PYRAMID ROLLING DOOR | 1 |



ELECTRICAL RISER DIAGRAM

| | | | | | | | | | | | | | |
|-------------|------------|-----|------|----|-----------------------|-----|------|----|-----------|--|--|------------------|----------------|
| SURVEYED BY | DRAWN BY | NO. | DATE | BY | REVISIONS | NO. | DATE | BY | REVISIONS | MICHIGAN DEPARTMENT OF CONSERVATION | YANKEE SPRINGS RECREATION AREA BEACHHOUSE AND CONCESSION | SHEET NO. 2 OF 2 | ELECTRICAL |
| DESIGNED BY | CHECKED BY | 1. | | | DOOR SCHEDULE CHANGED | 3. | | | | FOR PROJECT NO. 16 222-2272-276-223-61 | | SHEET 2 OF 2 | PLAN NO. A-139 |

PANEL A: 50 2P 2N 24A PANEL B: 50A 2P 2N 24A SUB-PANEL C: 50A 2P 2N 24A