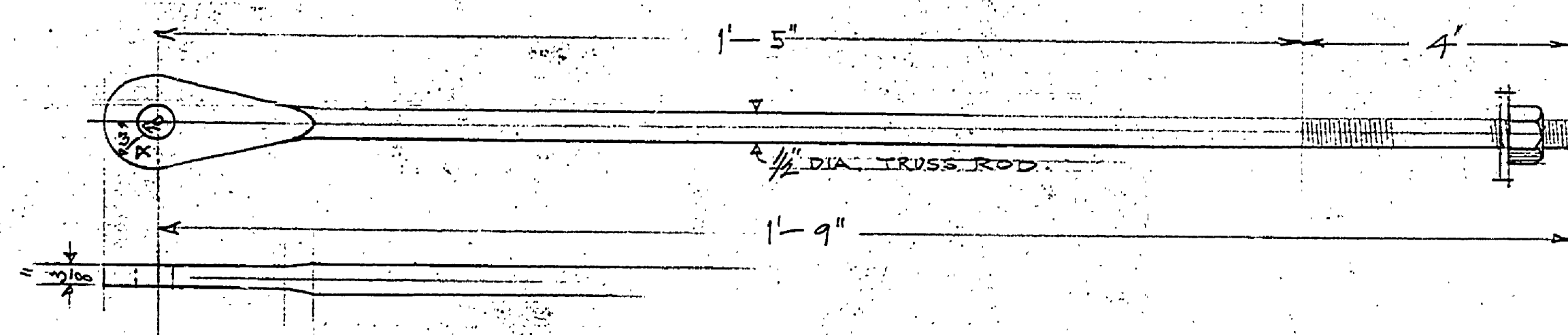
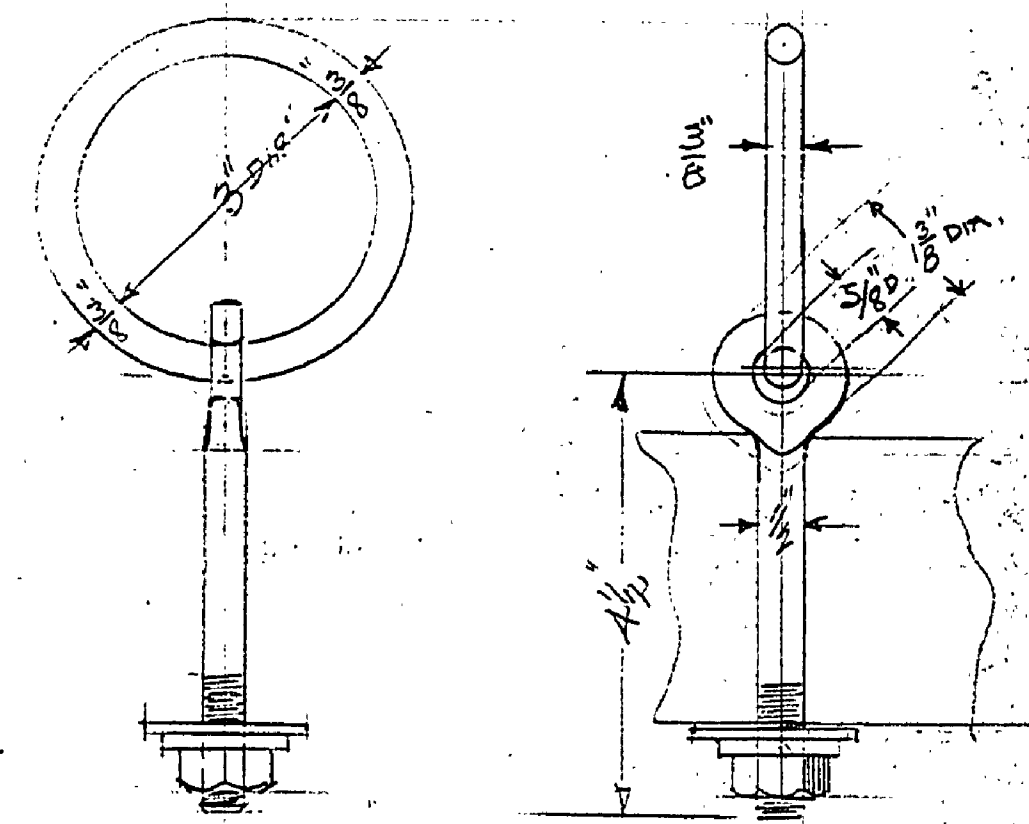


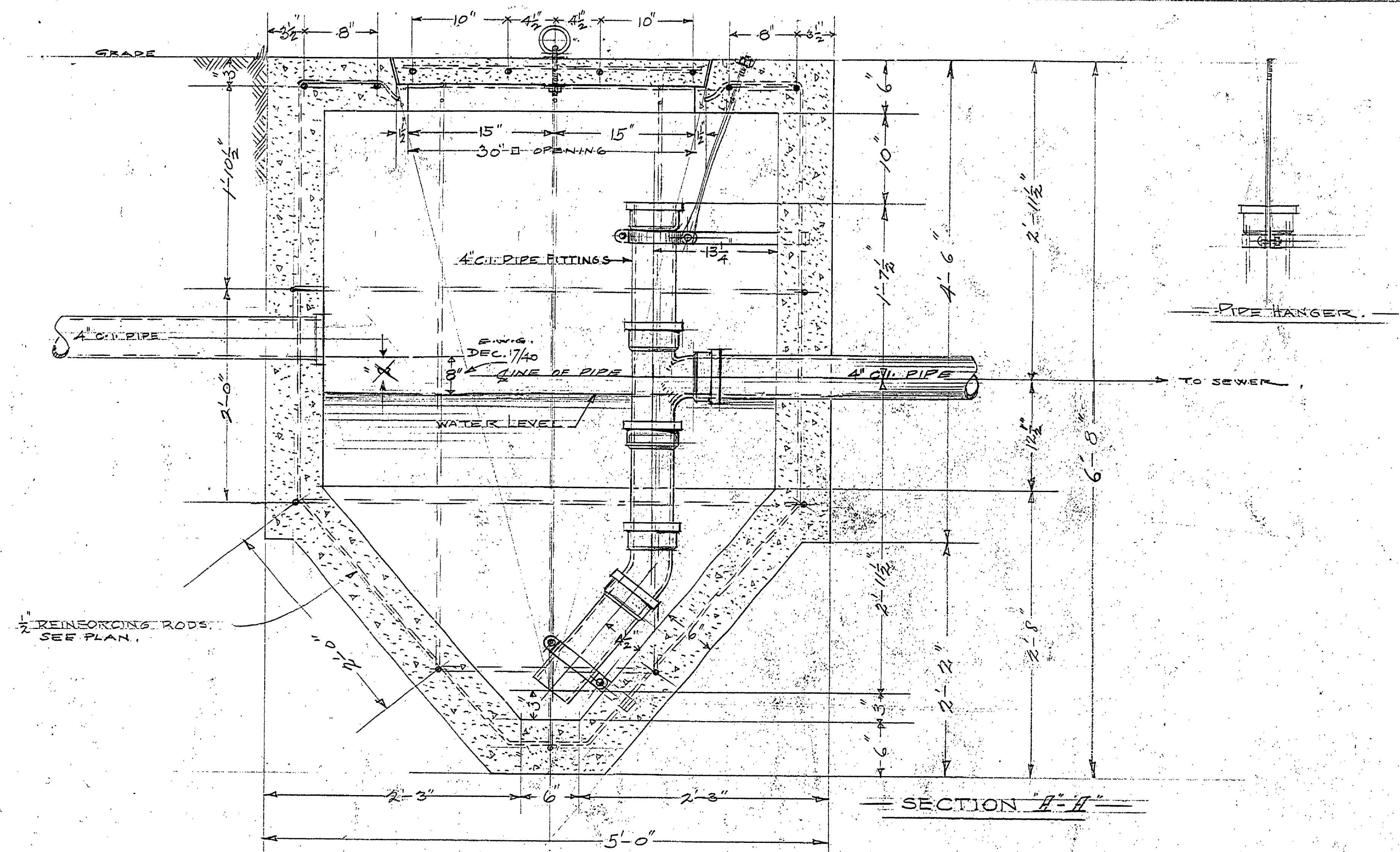
DETAIL of PIPE BRACKETS
Scale: 1/2 SIZE



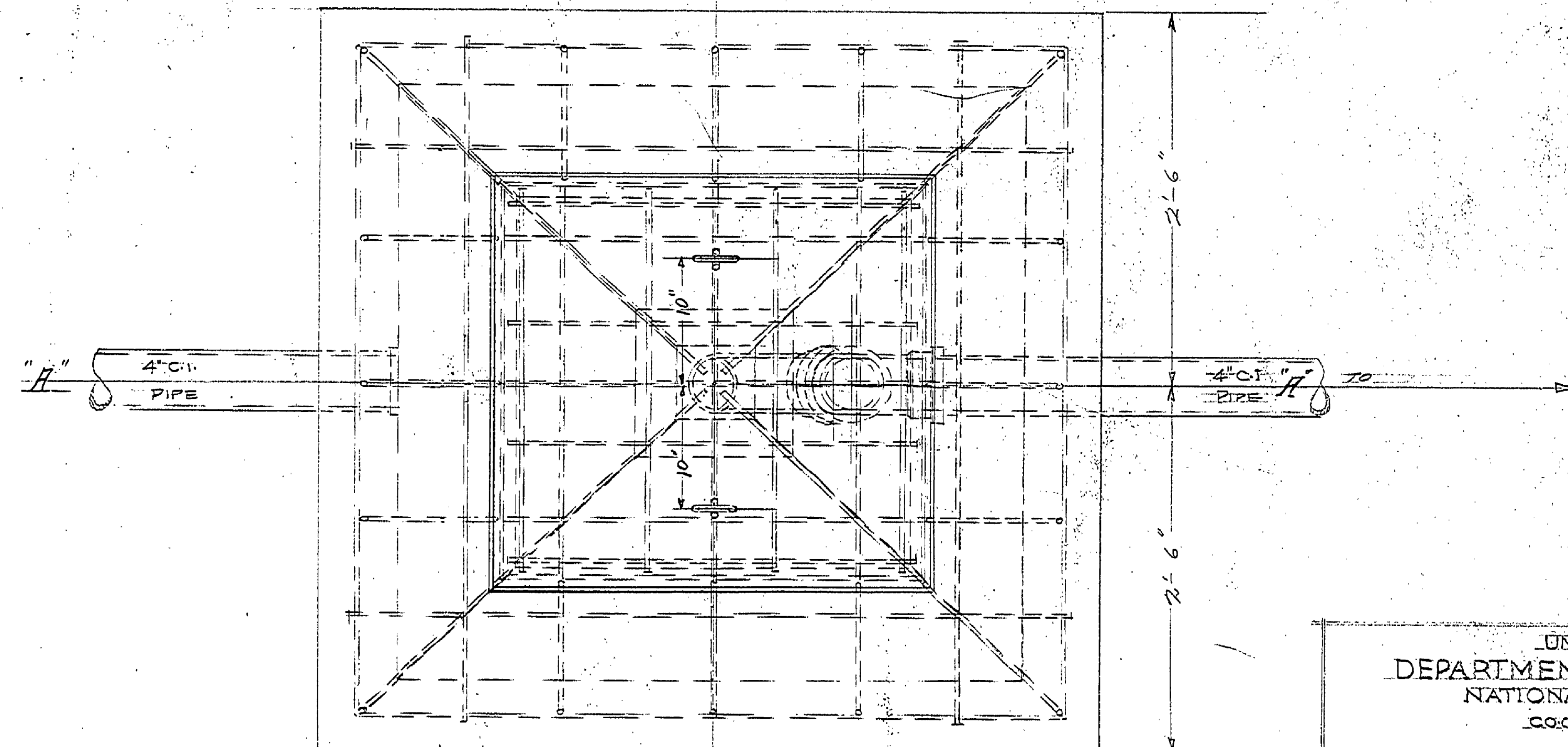
DETAIL of TRUSS ROD
Scale: 1/2 SIZE



DETAIL of RING BOLTS
MAKE TWO Scale: 1/2 SIZE



SECTION H-H



PLAN

UNITED STATES DEPARTMENT OF THE INTERIOR NATIONAL PARK SERVICE COOPERATING WITH MICH. DEPT. OF CONSERVATION		
DRAWN BY E.W.S.	YANKEE SPRINGS PROJECT	PLAN No. 101
DESIGNED BY E.W.S.	- GREASE TRAP -	Scale: 1/2" = 1'-0"
CHECKED BY		RDP-MI-6 Date: APR. 7/58
Prepared and Approved By	Project Manager	Date
Recommended	Inspector	Date
Approved By	Regional Director	Date