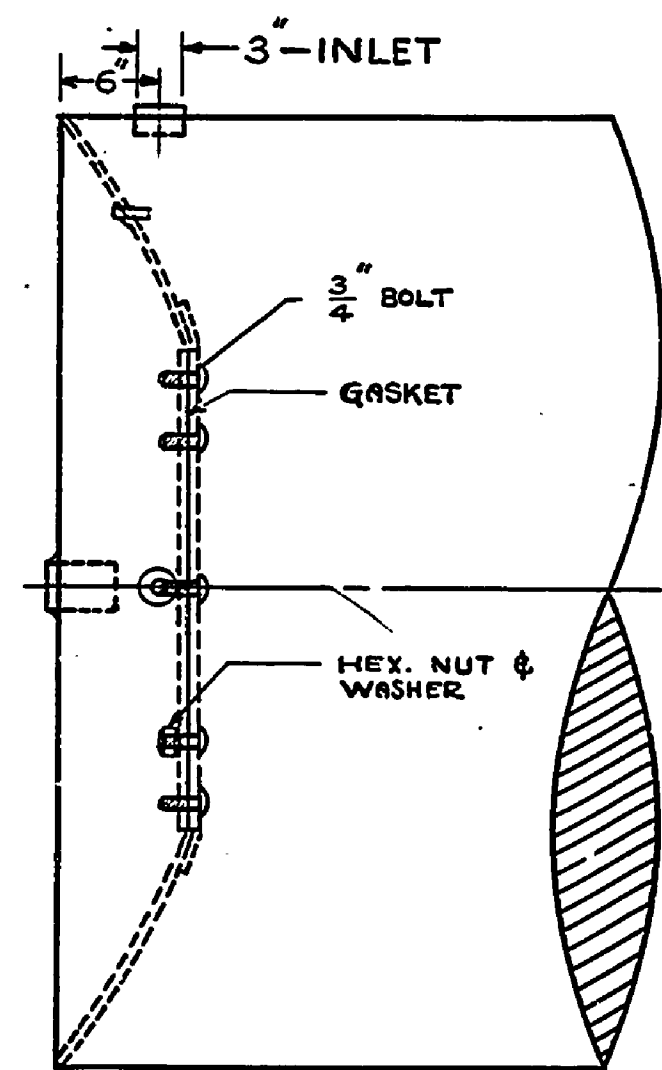
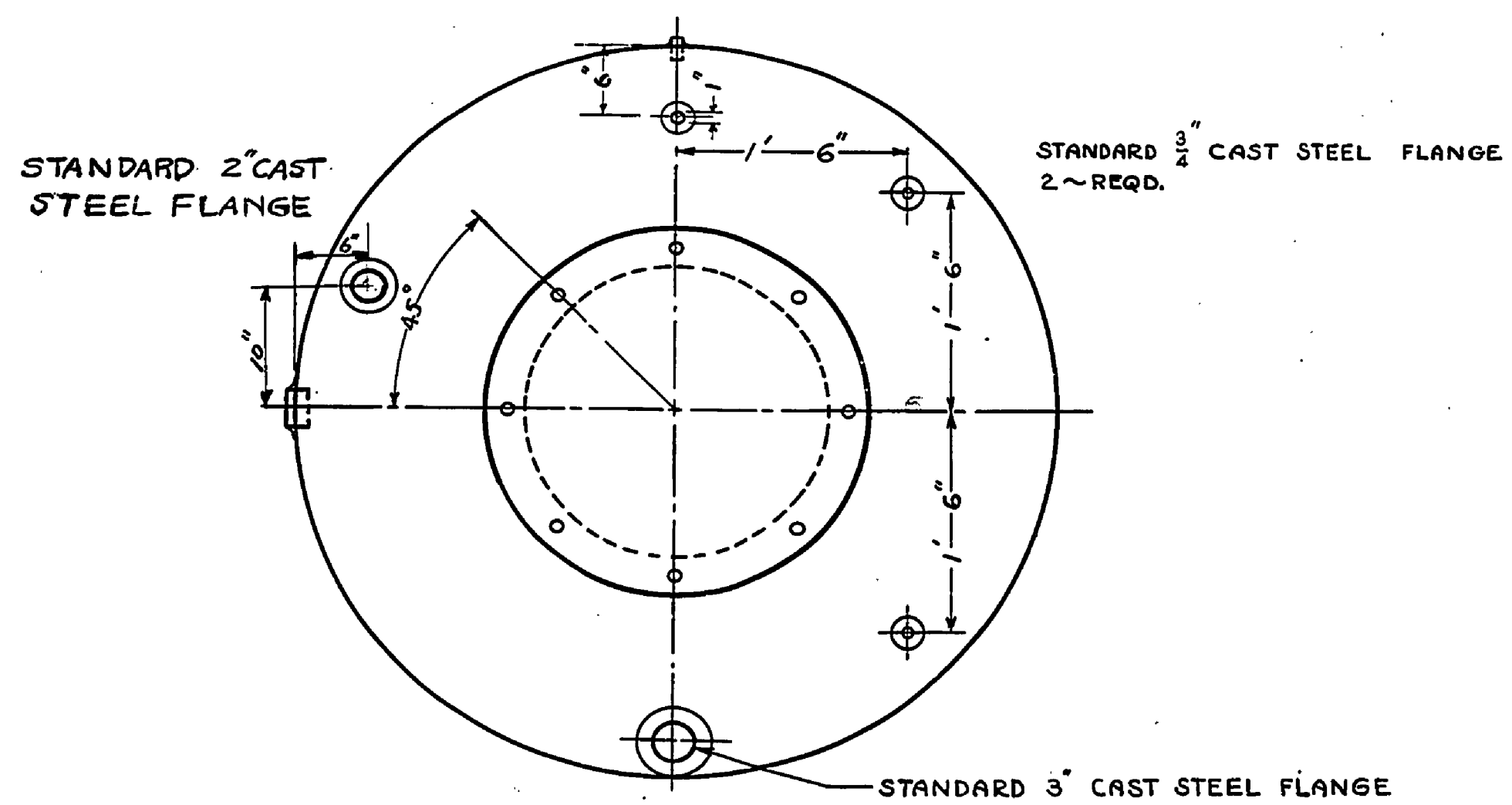


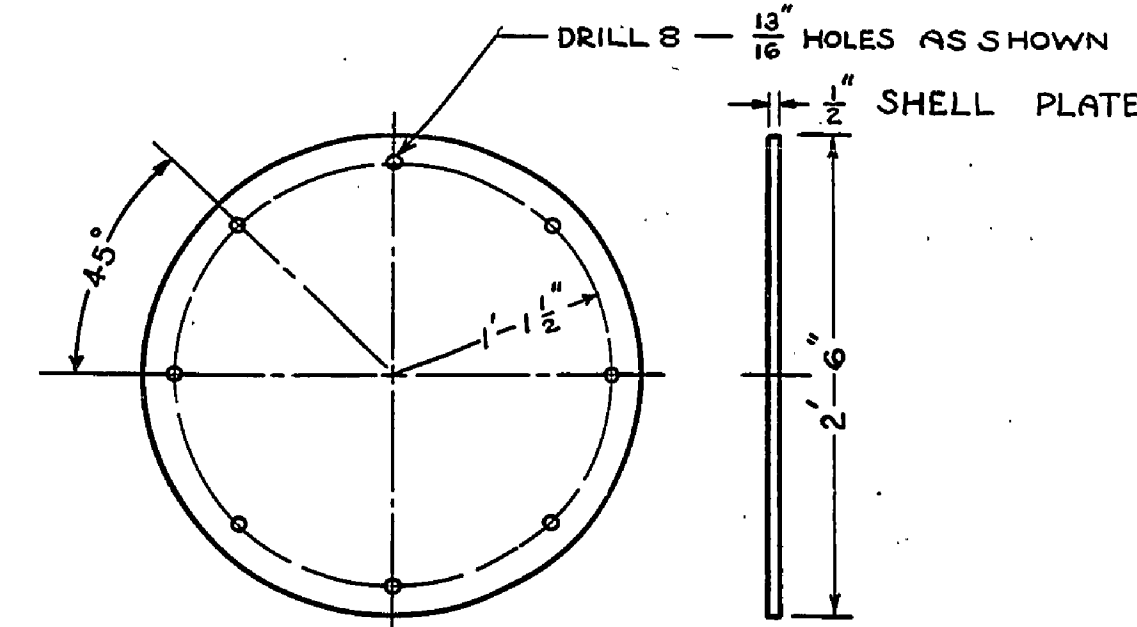
SIDE VIEW OF  
3525 GALLON WATER STORAGE TANK



TOP VIEW



LEFT END VIEW



MANHOLE COVER

NOTE:  
W.P. — 100%  
TEST — 150%  
SHOP PAINT 2 COATS BLACK GRAPHITE, OUTSIDE ONLY.  
3 TANKS REQUIRED.  
CONSTRUCTION OF MANHOLE MAY BE ALTERED PROVIDED  
A MINIMUM OPENING OF 18" X 24" IS USED AND  
MANHOLE IS LOCATED IN CENTER OF CONCAVE END.  
TANK TO BE EITHER OF WELDED OR RIVETED CONSTRUCTION.  
ALL PIPE FITTINGS TO BE STANDARD CAST STEEL FLANGES  
THREADED, AND WELDED IN POSITIONS SHOWN ON PLAN.

UNITED STATES DEPARTMENT OF THE INTERIOR NATIONAL PARK SERVICE COOPERATING WITH MICH. DEPT. OF CONSERVATION		
DRAWN BY H.G.M.C.	YANKEE SPRINGS PROJECT	PLAN NO.
DESIGNED BY H.G.M.C.	WATER TANK DETAILS	SCALE — 1" = 1'-0"
CHECKED BY FLH	FOR LONG LAKE SYSTEM	R.D.E. WAT.
PREPARED BY	STATE PARK AUTHORITY OR SPONSOR	DATE
RECOMMENDED	INSPECTOR	DATE
RECOMMENDED	REGIONAL OFFICER	DATE
APPROVED	ASSISTANT DIRECTOR	DATE

JOB #66

E-110-B