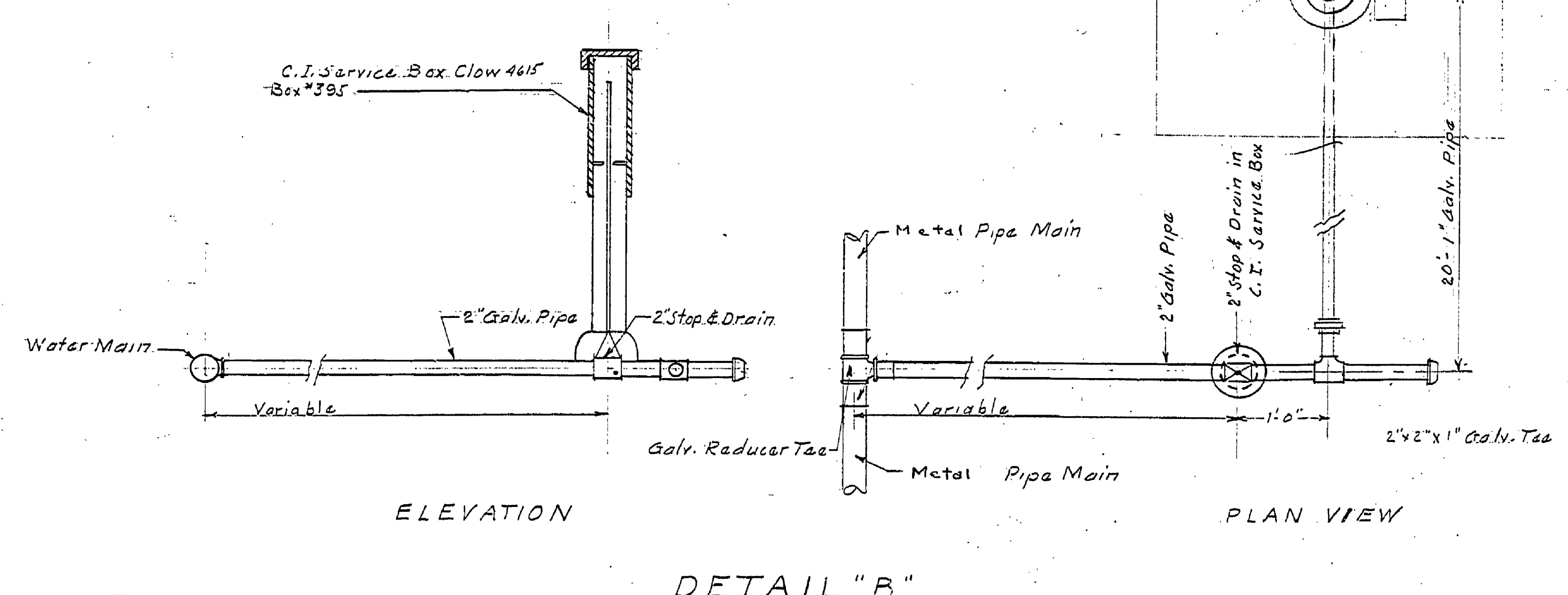
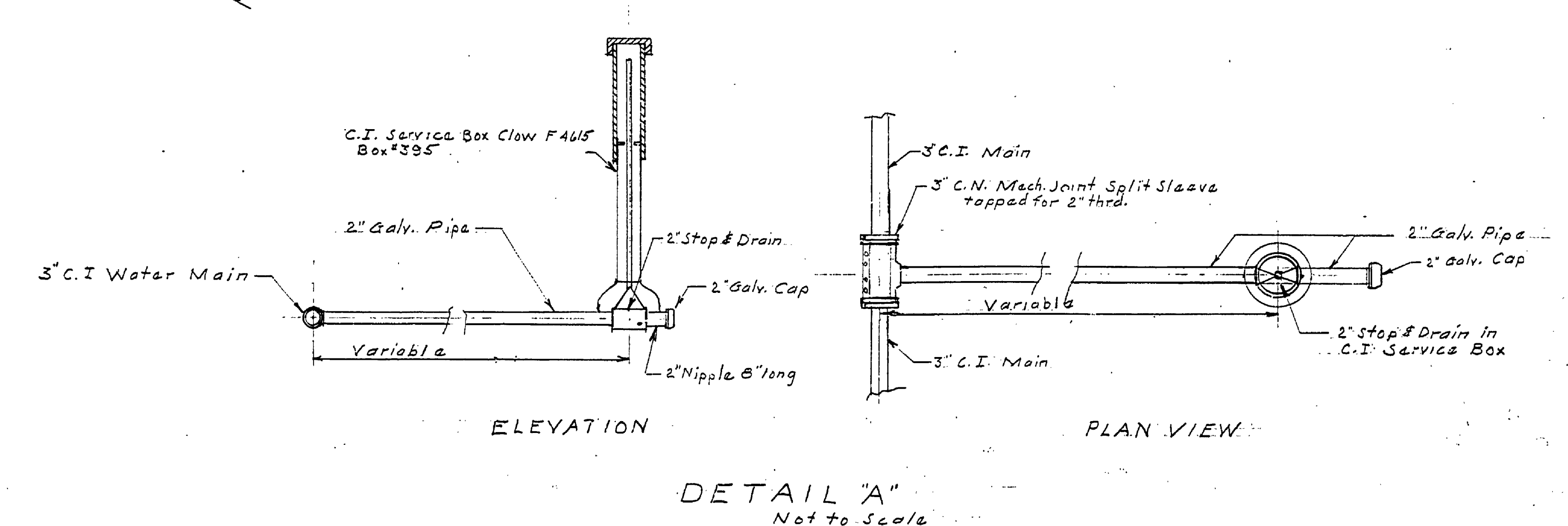
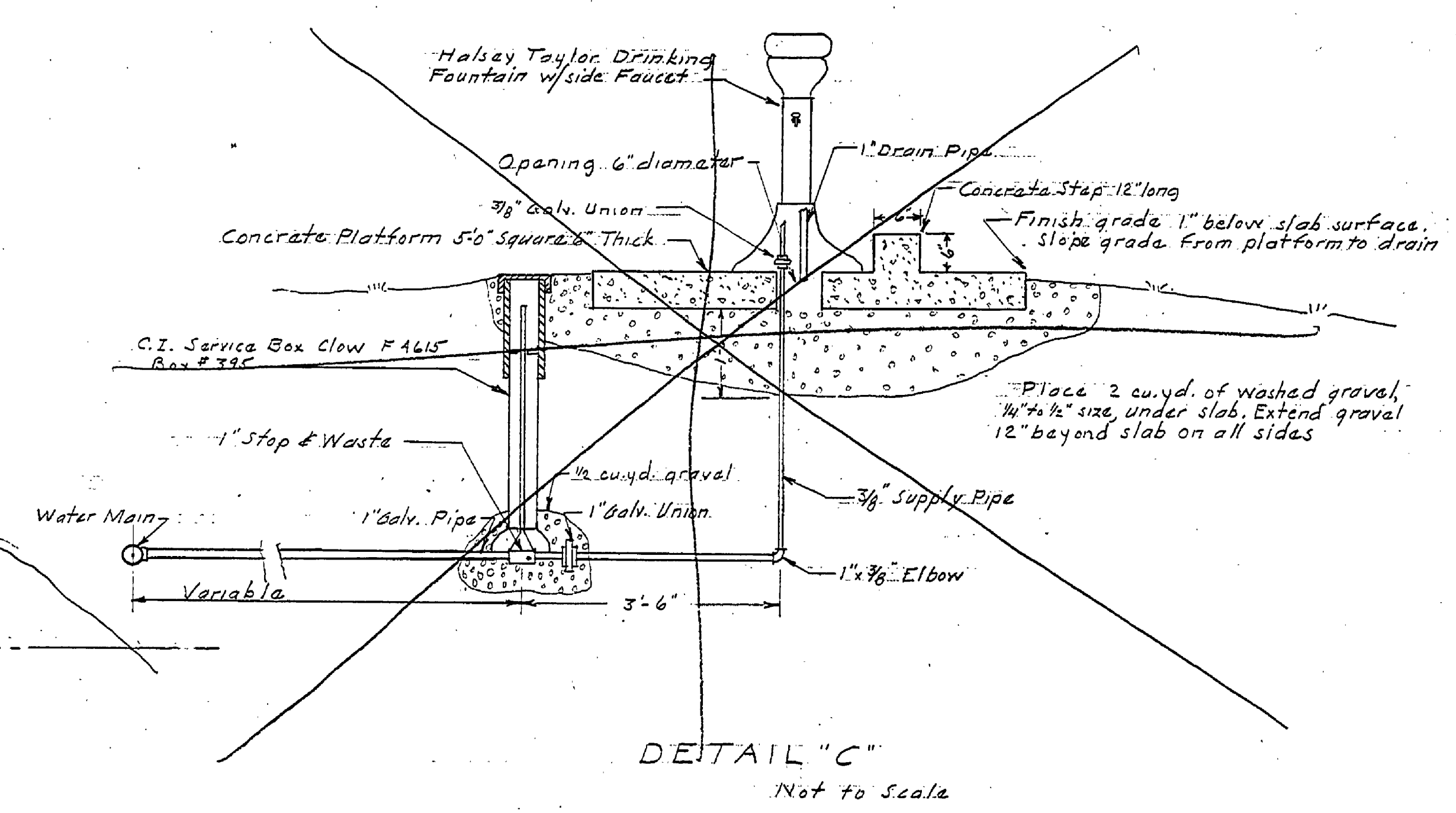
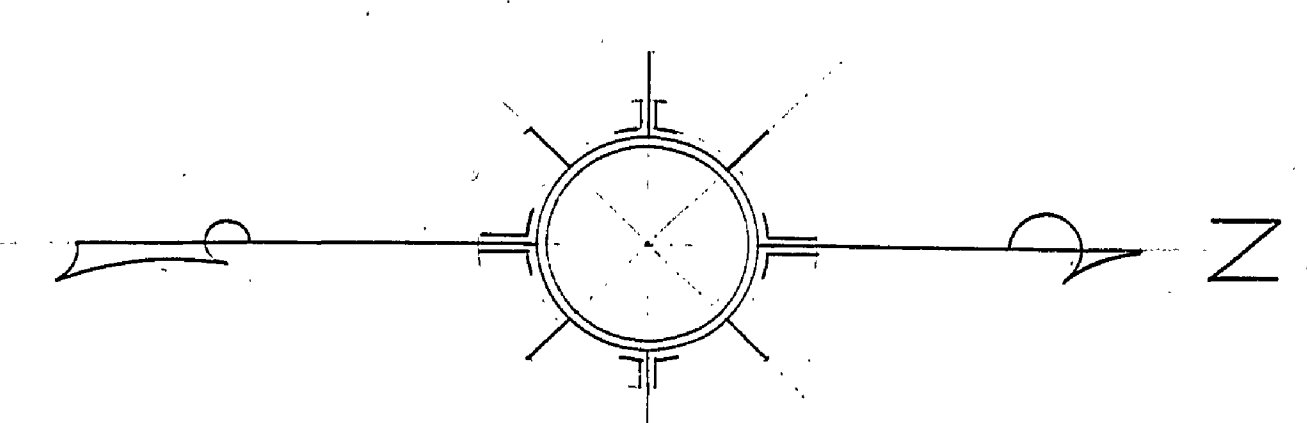
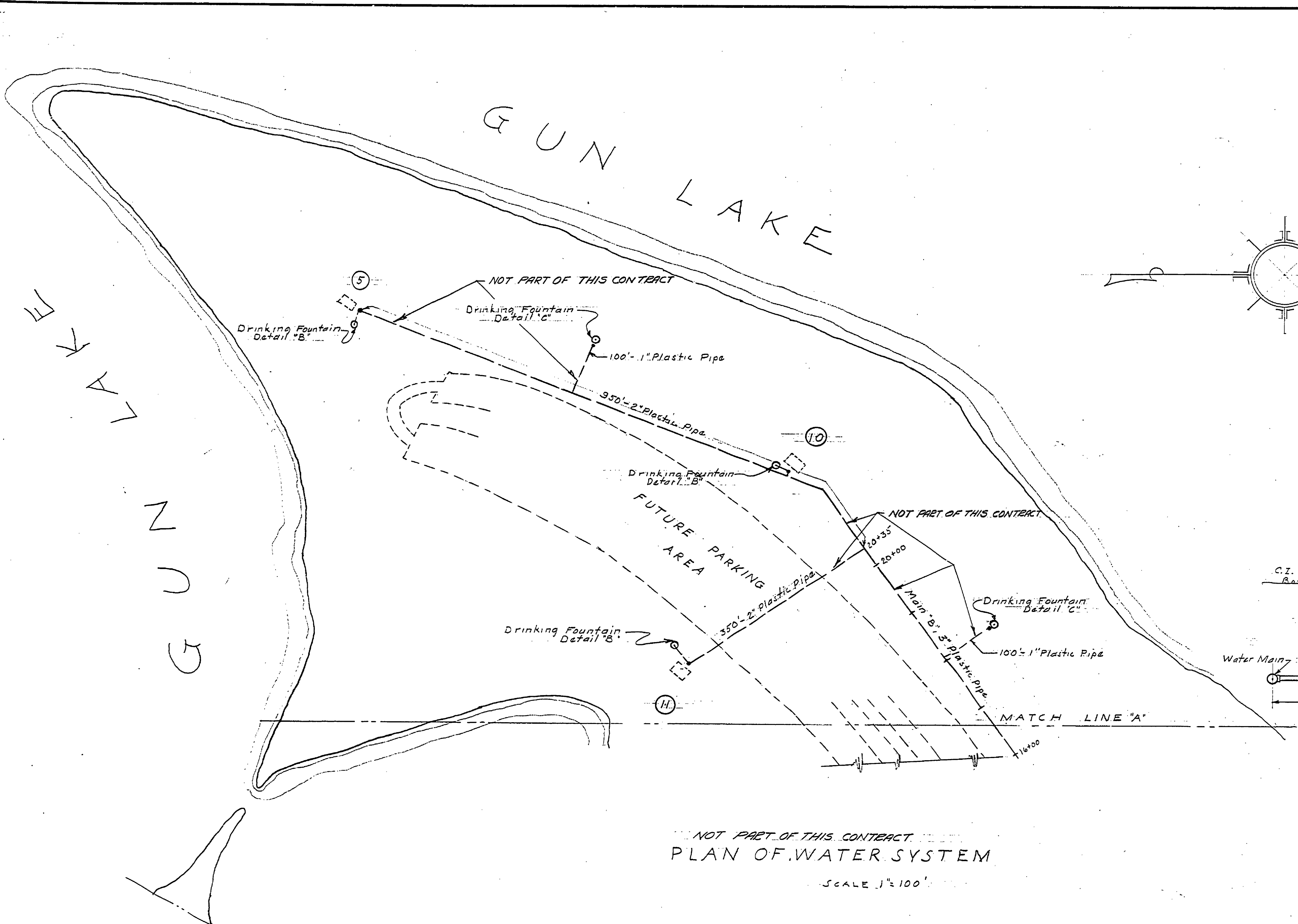


NO.	DATE	BY	REVISIONS
1			4
2			5
3			6

DATE	APPROVED BY	ASSISTANT CHIEF IN CHARGE
8-22-56	<i>[Signature]</i>	
8-22-56		
8-22-56		

DATE	REVIEWED BY SECTIONS
8-22-56	J.I.R. ARCHITECTURAL
8-22-56	J.I.R. ENGINEERING
8-22-56	J.I.R. LANDSCAPE

DATE	TRACED BY
APRIL 16, 1956	E. J. P.



Scale 1"=100'

MICHIGAN DEPARTMENT OF CONSERVATION PARKS AND RECREATION DIVISION

YANKEE SPRING RECREATION AREA GUN LAKE DAY USE SECTION WATER SYSTEM

PROJECT NO. 128 -1C SHEET NO. 4 OF 8 PLAN NO. E-134