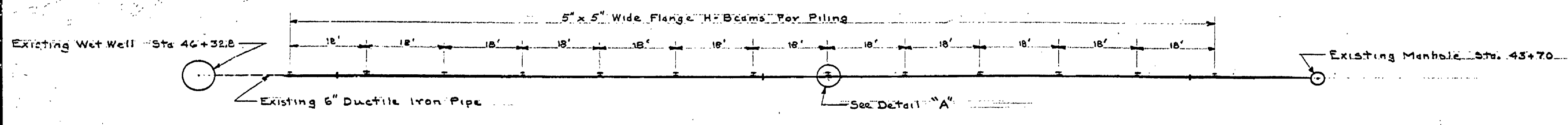
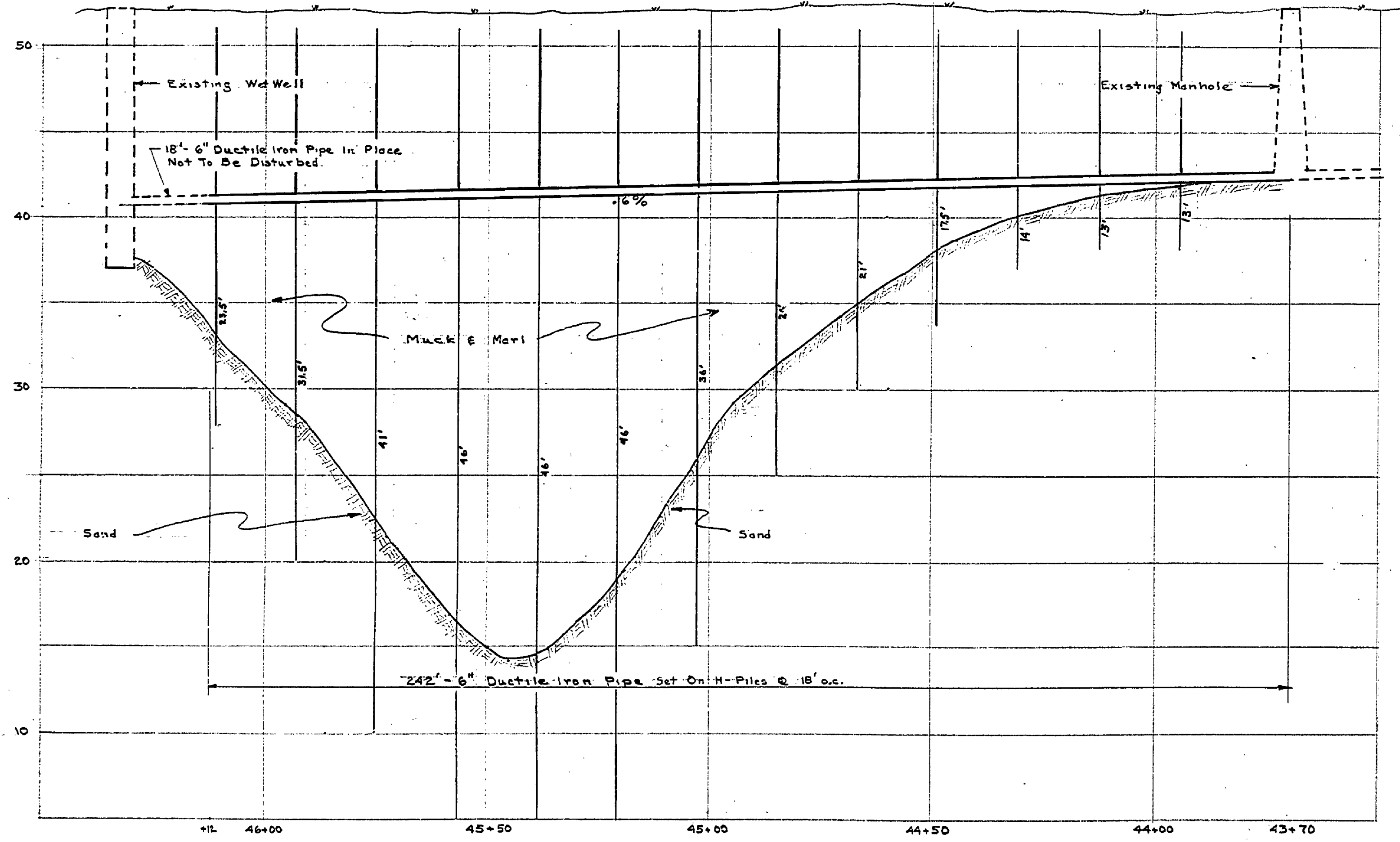


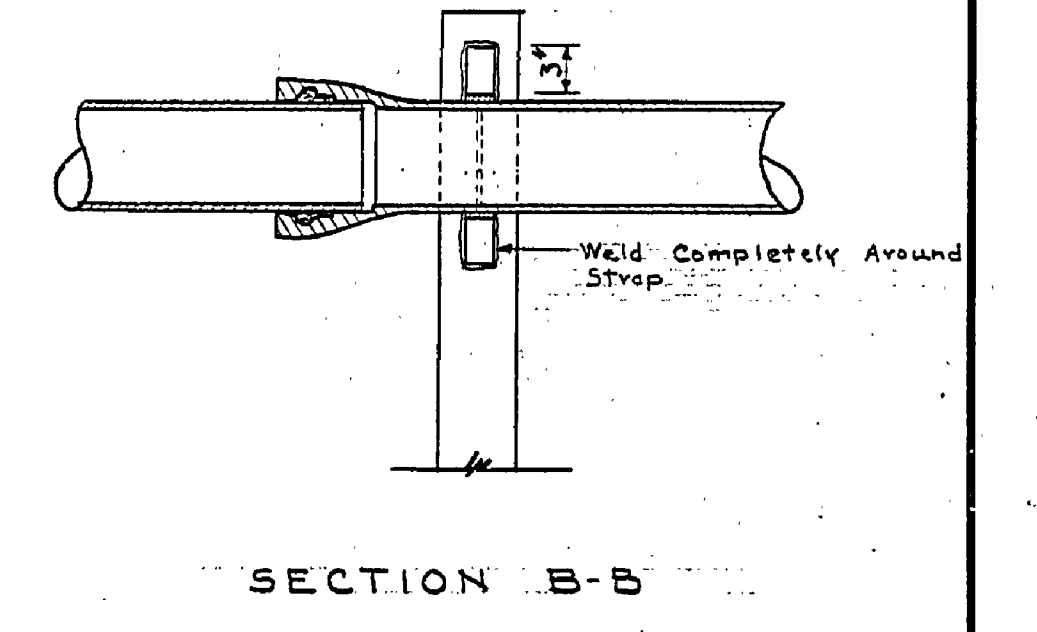
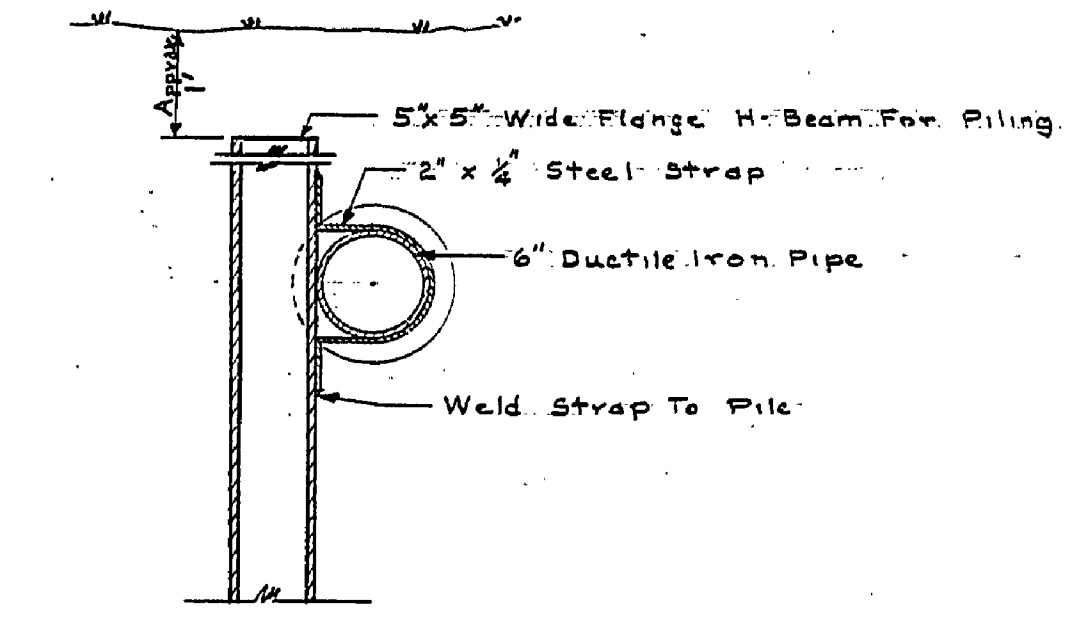
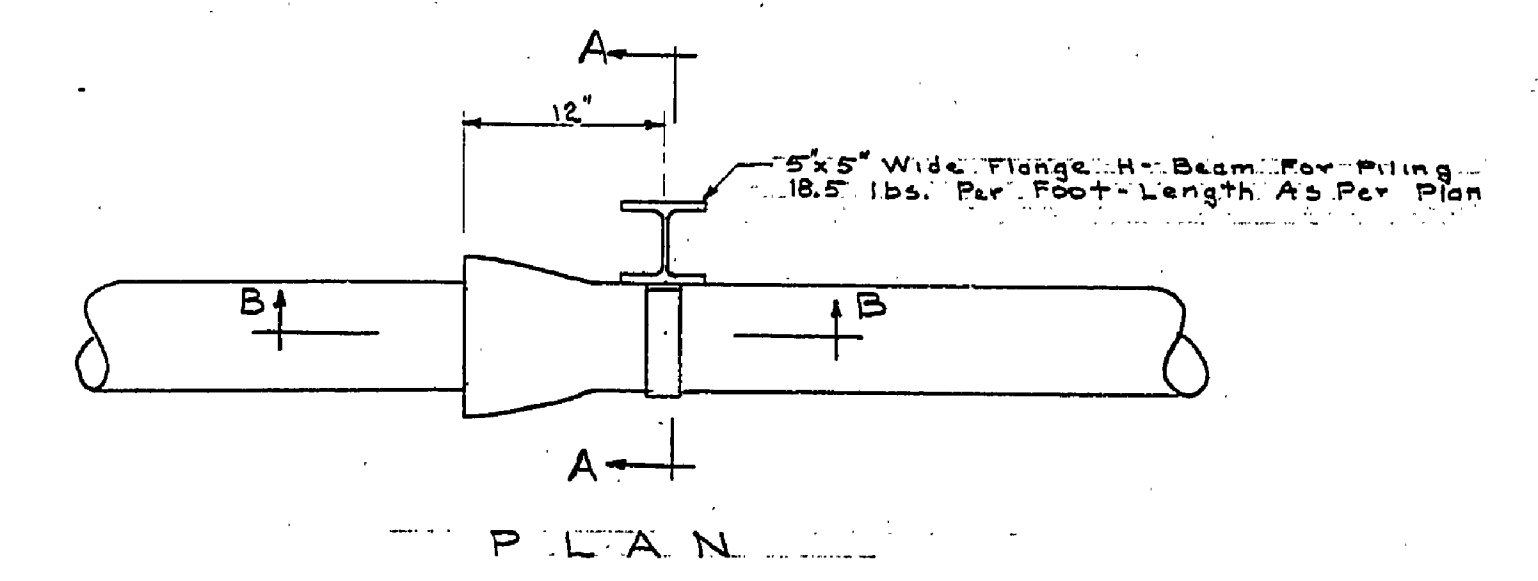
DESIGNED BY	DATE	REVIEWED	DATE	APPROVED	DATE	NO.	DATE	BY	REVISIONS	DATE	BY
SAIG.	2.25.64	ARCHITECTURAL	6/11/64		1	1	1/6		4		
DRAWN BY	2.25.64	ENGINEERING	10-24-64		2	2			5		
CHECKED BY	2.25.64	LANDSCAPE	10-24-64		3	3	10-27-64		6		



PLAN  
Scale 1" = 20'



PROFILE  
Scale: Horiz. 1" = 20'  
Vert. 1" = 5'



DETAIL "A"  
Scale 1" = 1'-0"

NOTES: Existing Sewer is 6" Asbestos-Cement Sewer Pipe and is to be salvaged if practical. The length shown on piles are more for estimating than actual final length. The piles are to be driven 30% of the length of the pile below the sewer line to insure bearing of a min. of 2'-0" good bearing. Cut top of piling on approx. 1'-0" below grade.