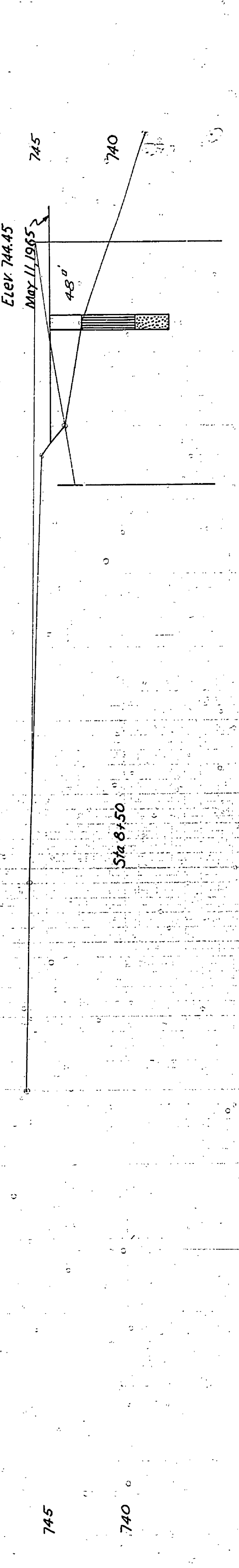
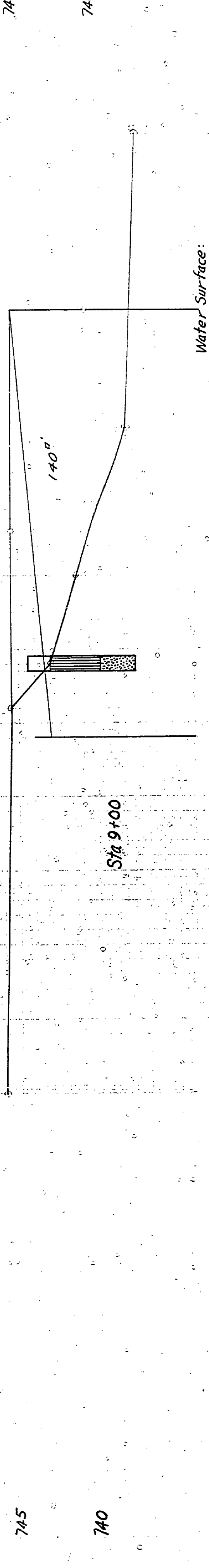
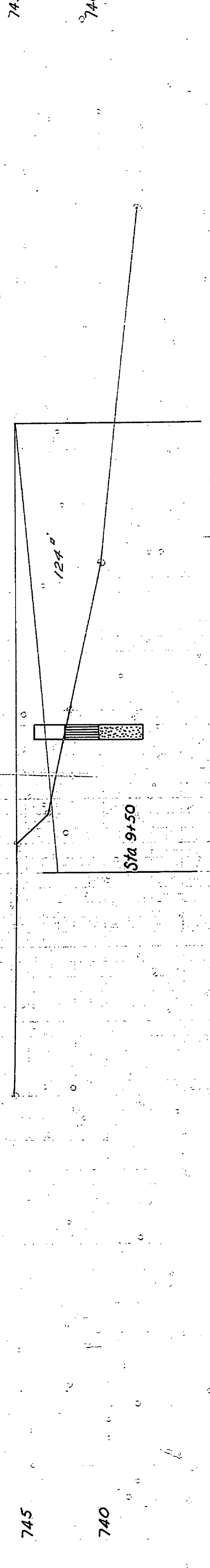
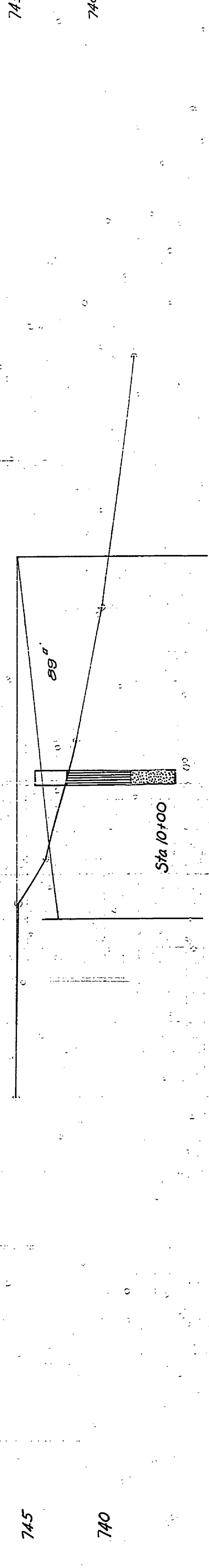
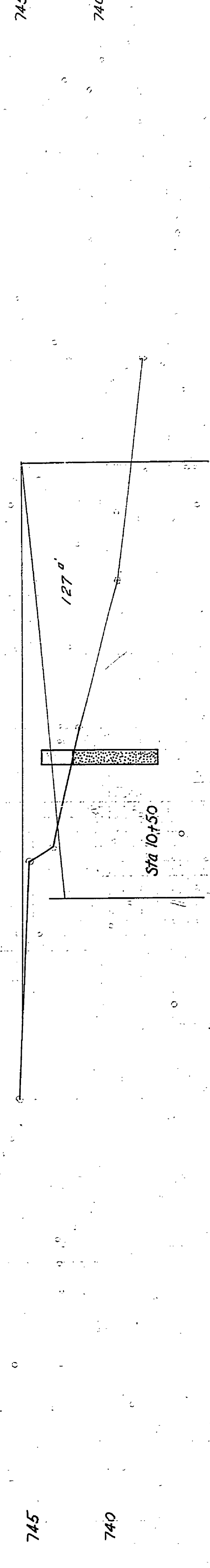
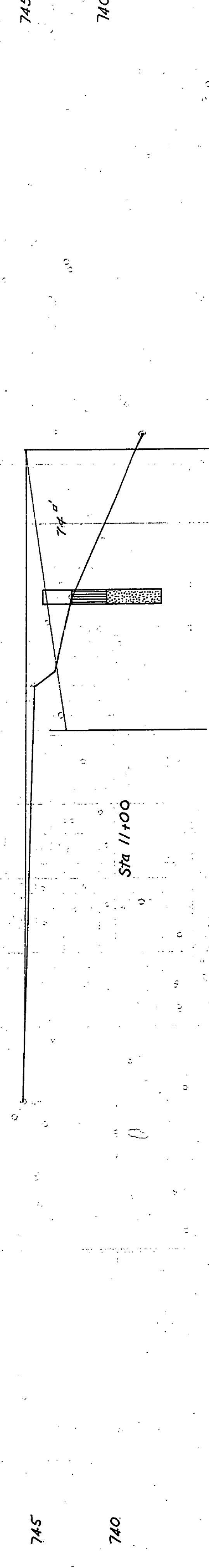
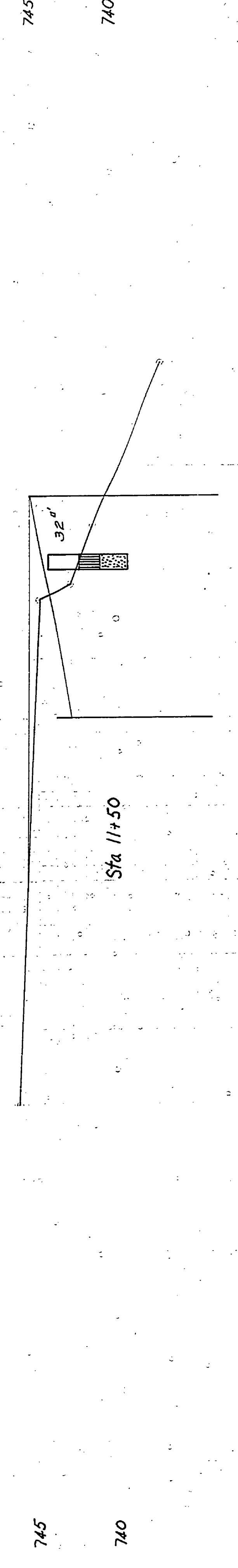
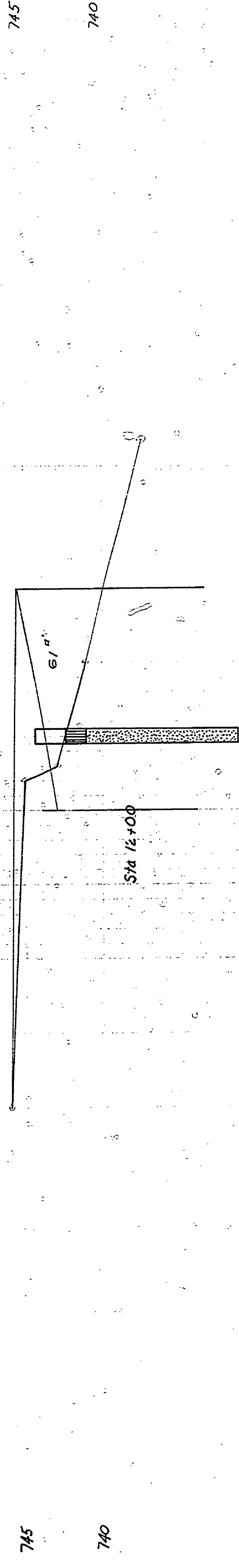
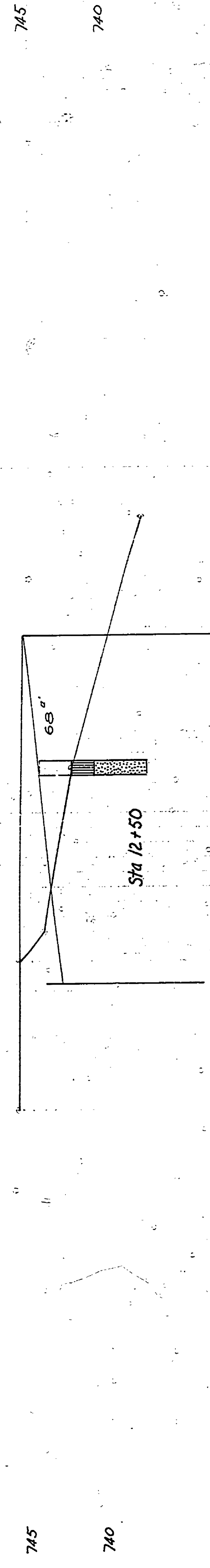
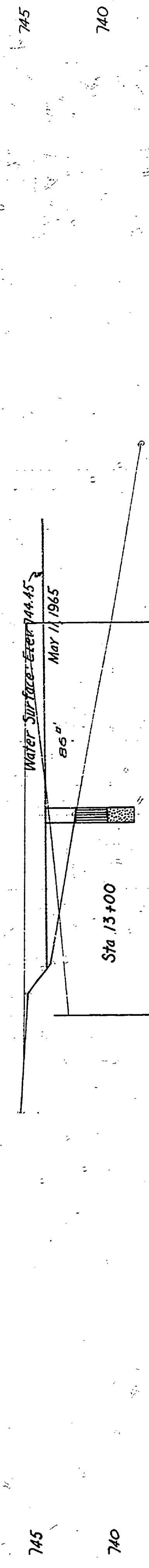


DESIGNED BY	DATE	REVIEWED	DATE	APPROVED	DATE	NO.	DATE	BY	REVISIONS	DATE	BY
DRAWN BY R.G.H.	5/29/65	ARCHITECTURAL ENGINEERING LANDSCAPE			0	1	30		4		
						2	35		5		
						3	40		6		
CHECKED BY					50						



HORIZONTAL 1"=5'  
SCALE VERTICAL 1"=5'

0 5 10 15 20 25 30 35 40 45 50 55 60 65

MICHIGAN  
DEPARTMENT OF CONSERVATION  
PARKS AND RECREATION DIVISION

YANKEE SPRINGS RECREATION AREA  
LAGOON EROSION CONTROL  
CROSS SECTIONS

SHEET  
NO. 4  
OF 5

PLAN NO.  
E-141