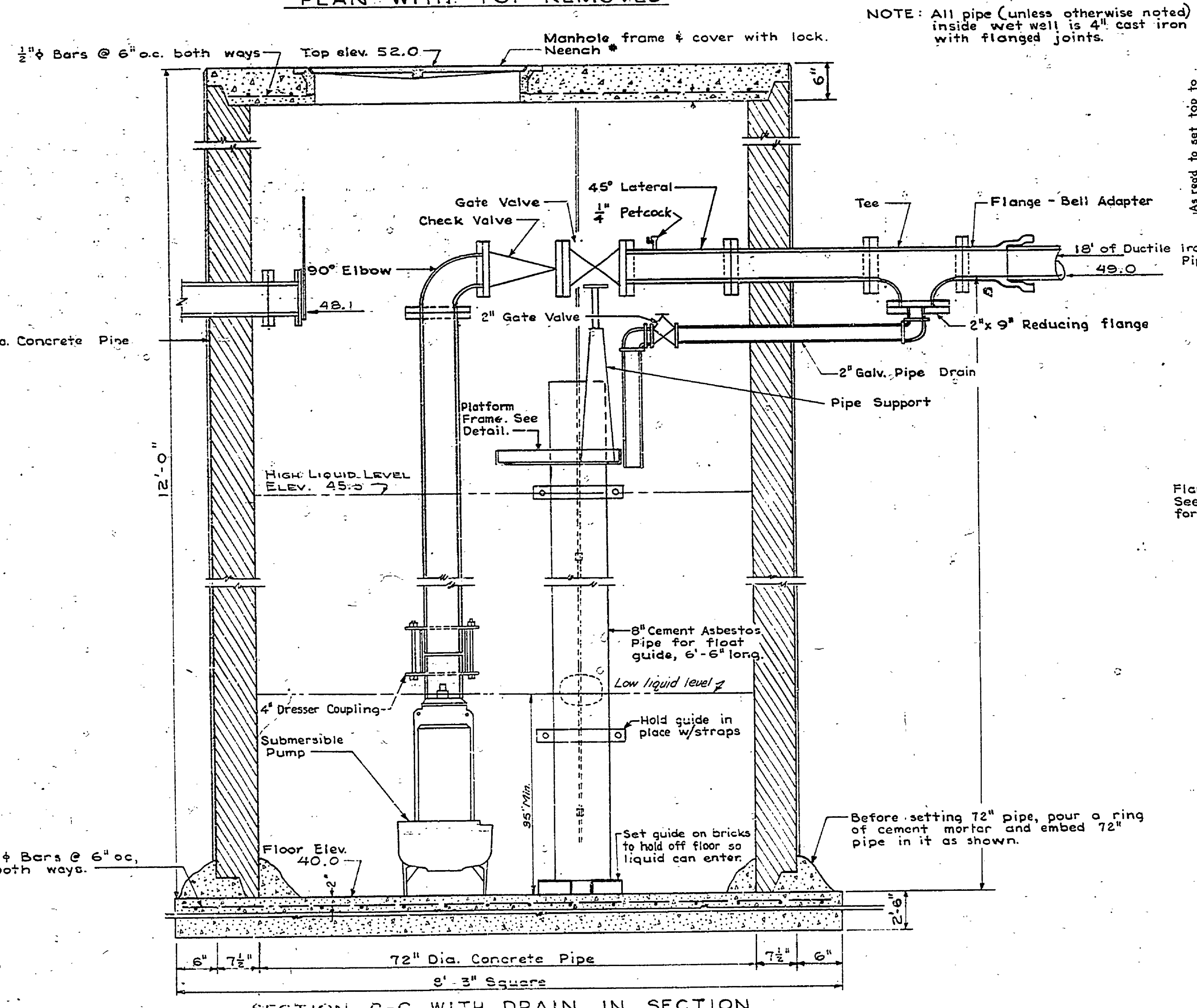
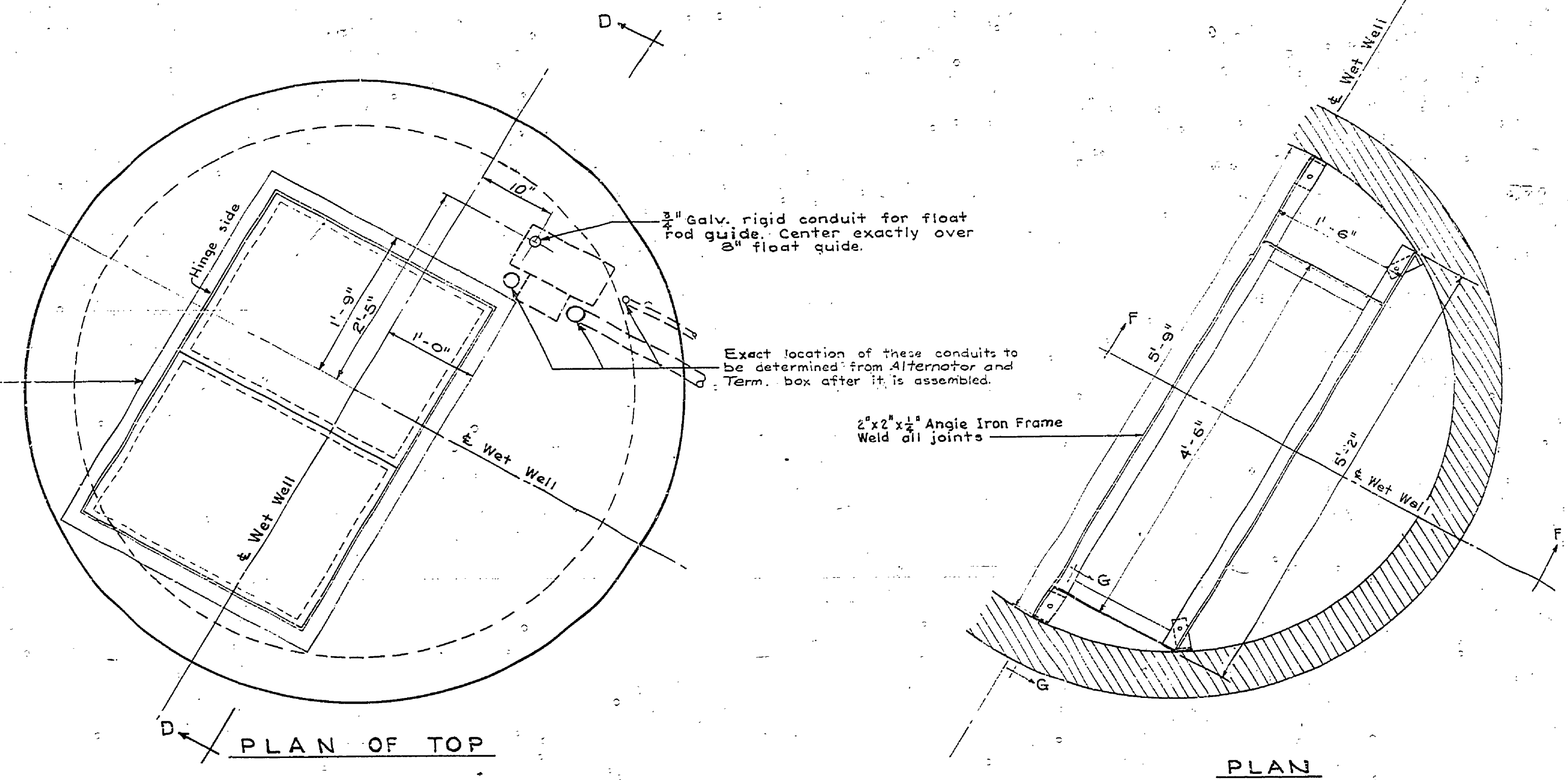
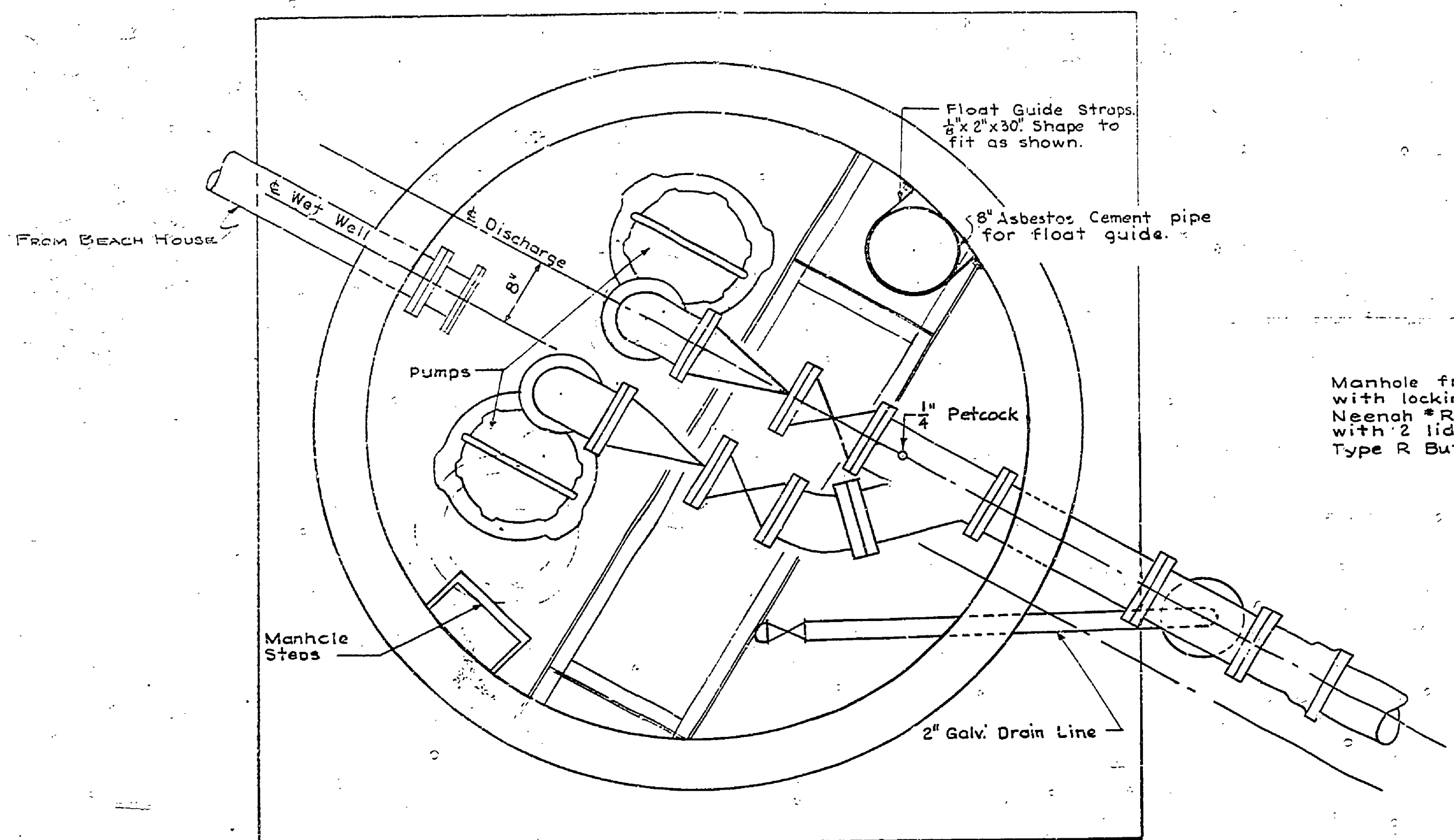


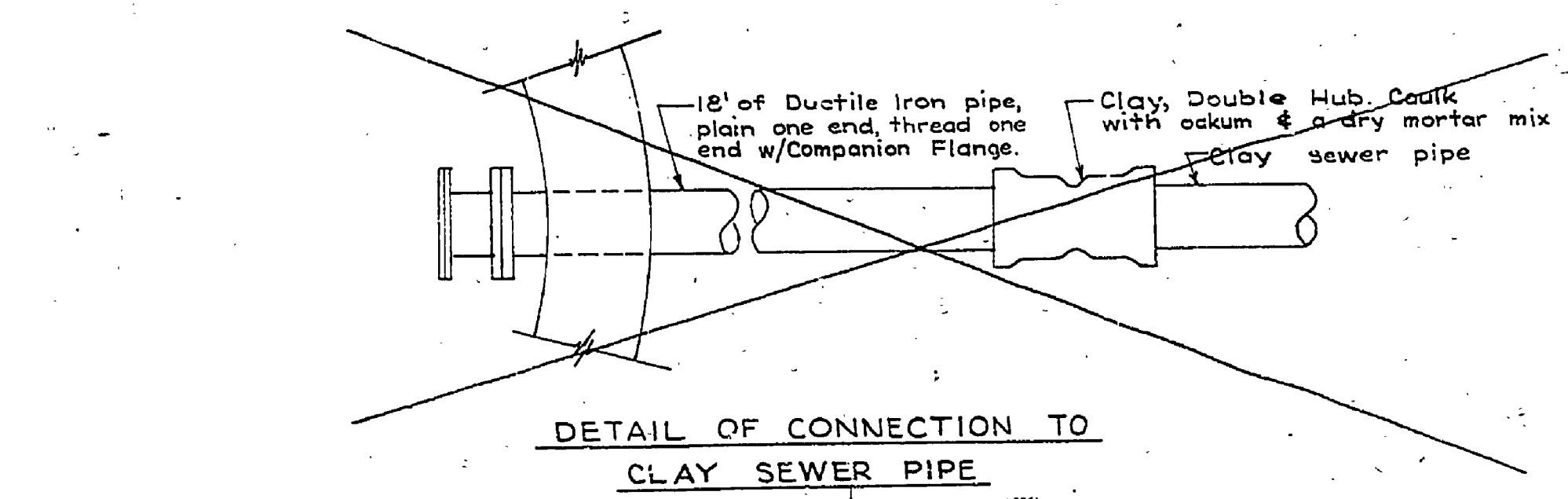
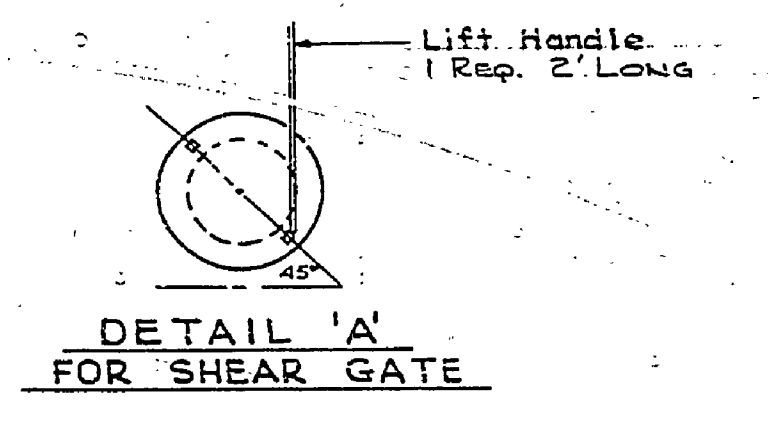
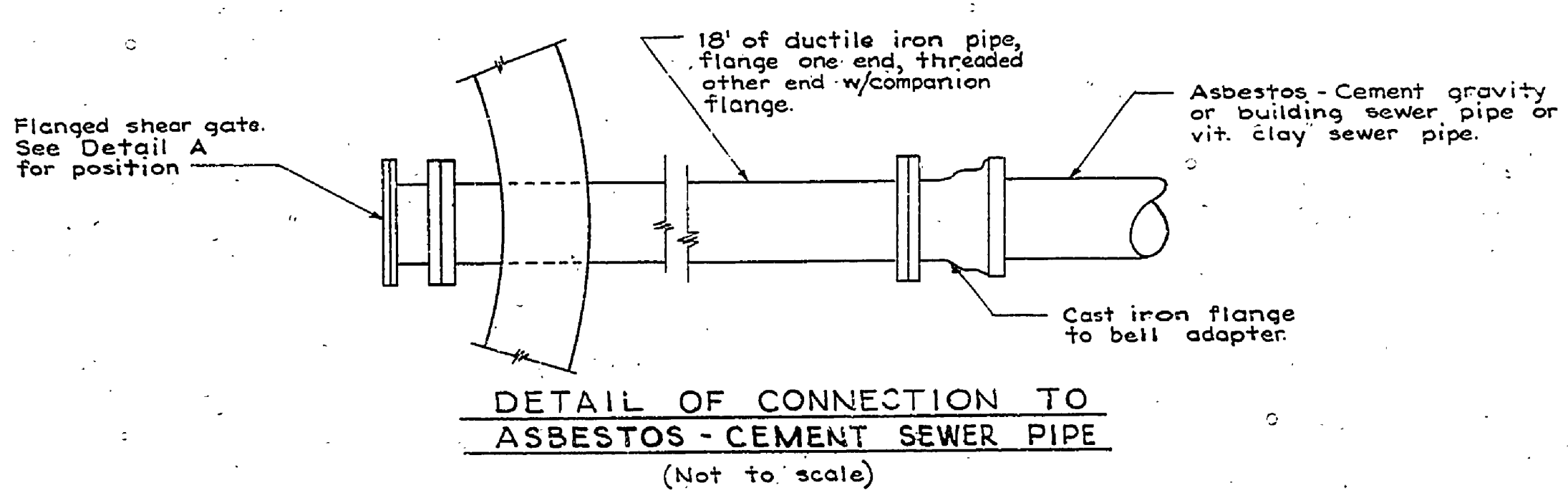
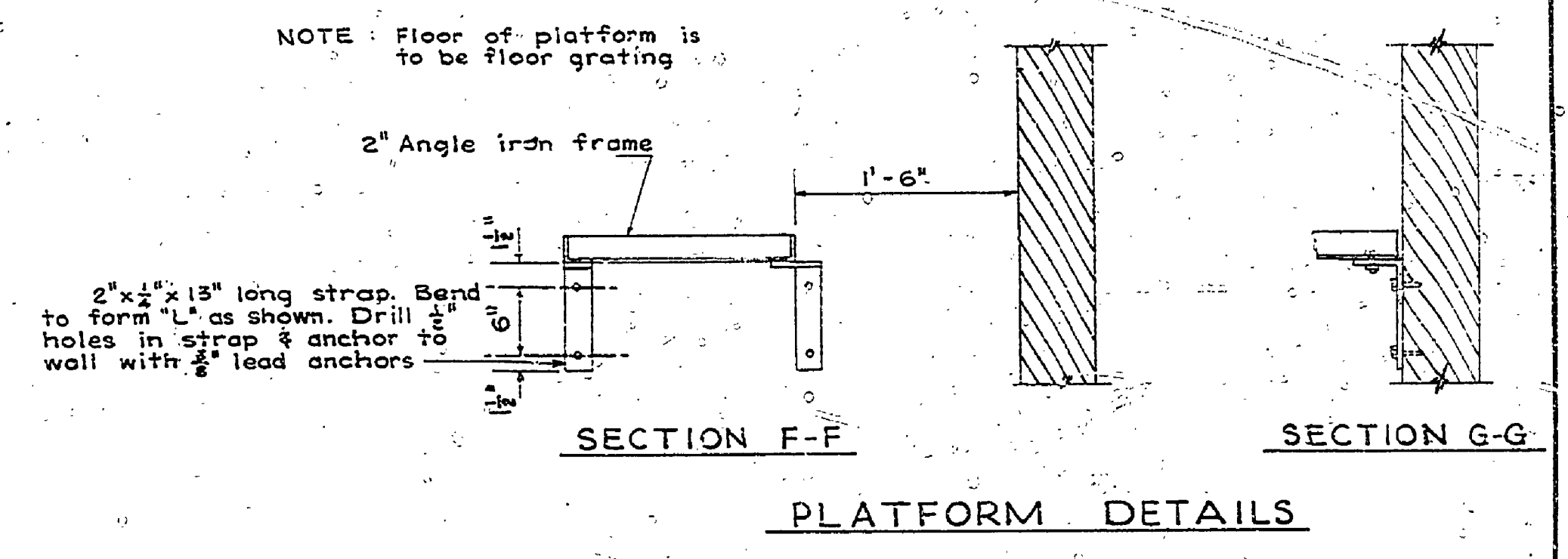
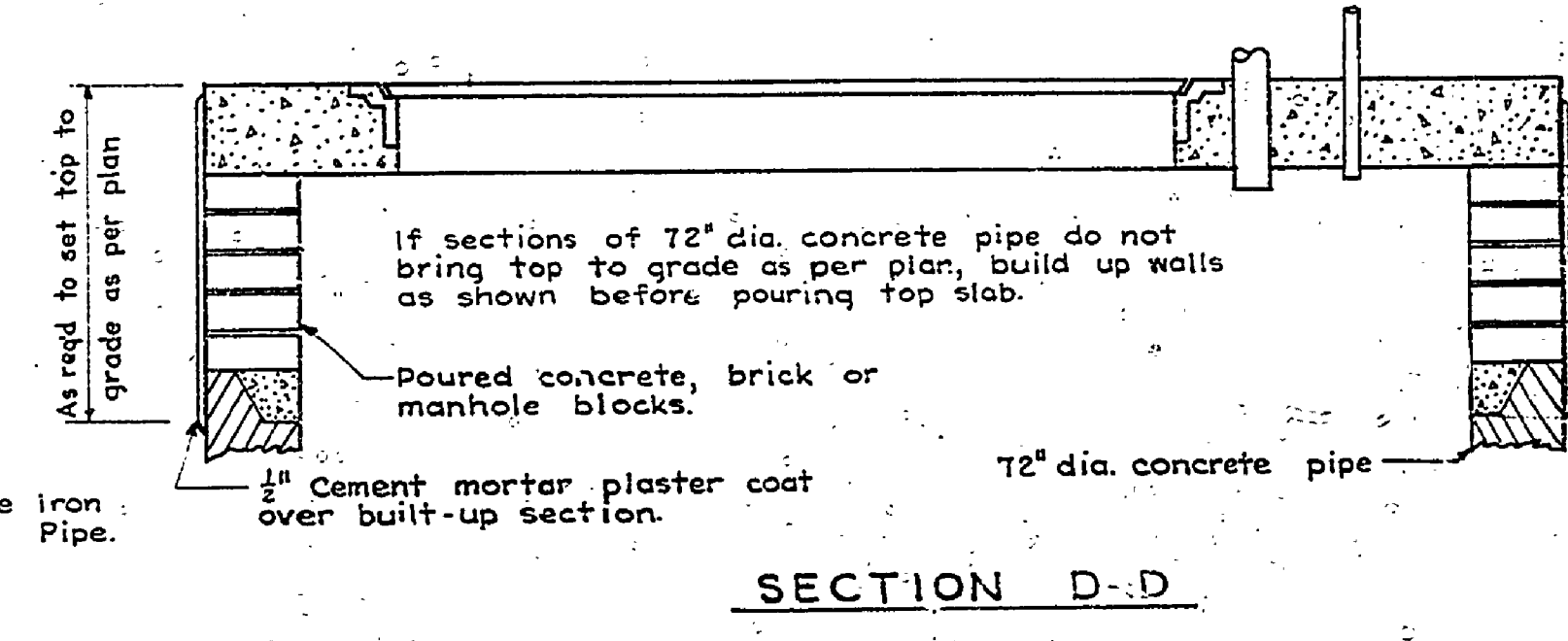
| | | | |
|-----------|-----|--------|-----|
| REVISIONS | NO. | DATE | BY |
| 4 | 1 | 9/8/49 | JHM |
| 5 | 2 | | |
| 6 | 3 | | |

| | | | |
|----------------------|------|-------------|------|
| REVIEWED BY SECTIONS | DATE | APPROVED BY | DATE |
| ARCHITECTURAL | | | |
| ENGINEERING | | | |
| LANDSCAPE | | | |

| | | |
|----------|------------|------|
| DRAWN BY | CHECKED BY | DATE |
| | | |



NOTE: All pipe (unless otherwise noted) inside wet well is 4" cast iron with flanged joints.



WET WELL AND PUMP STATION