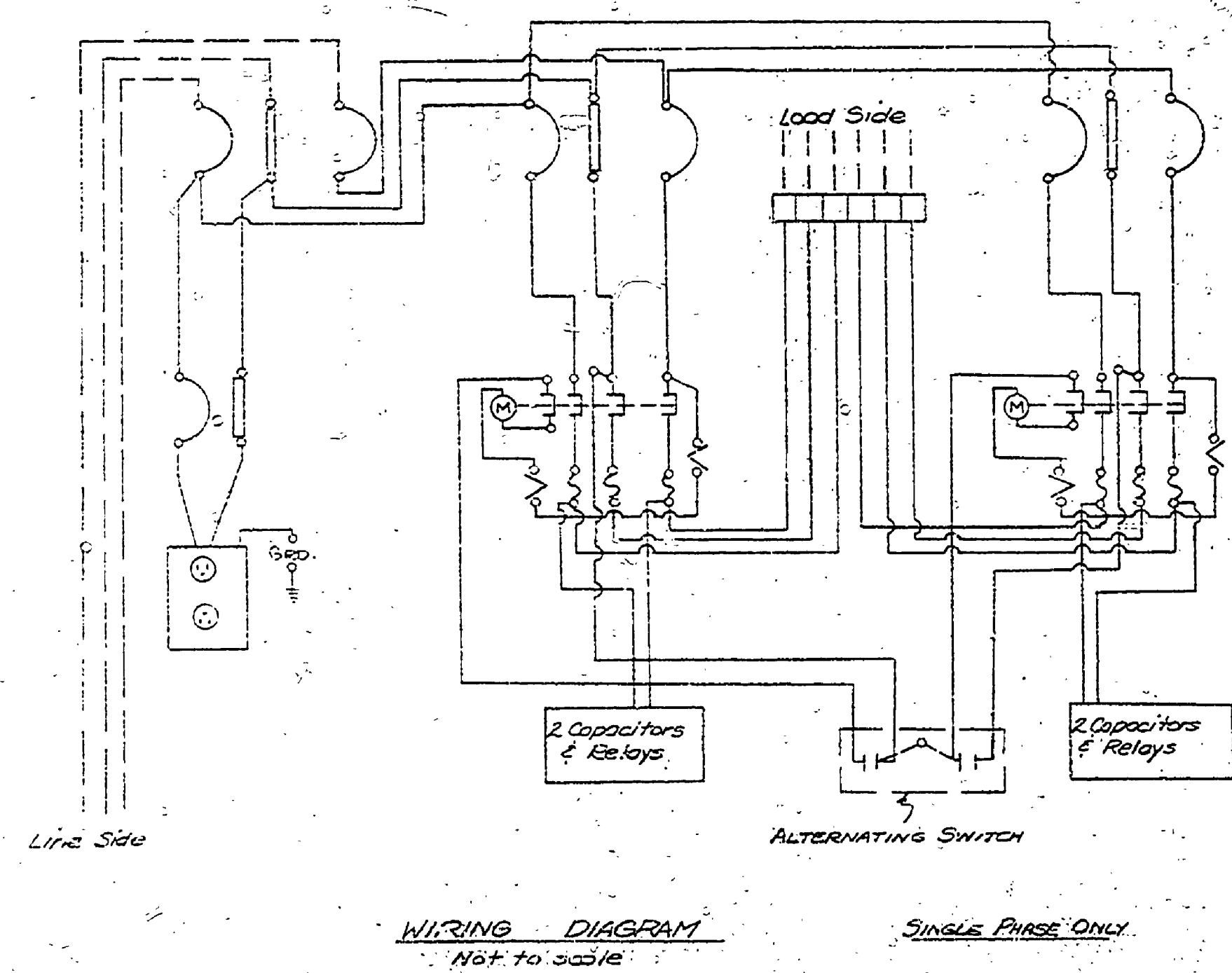
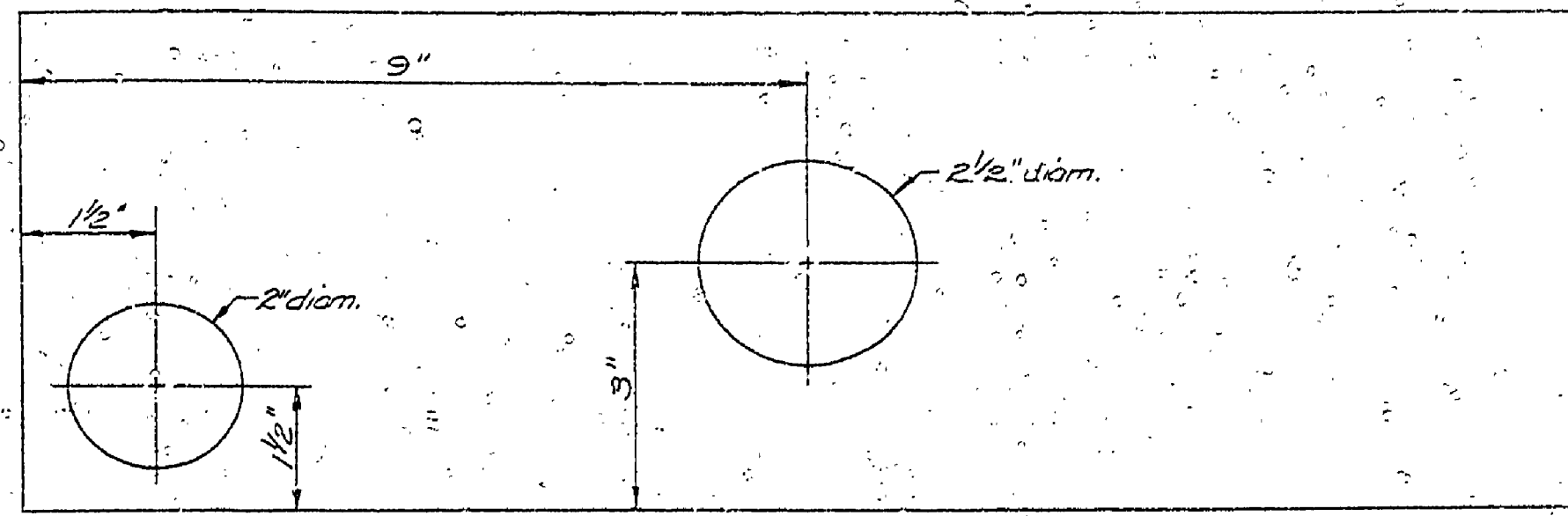


CONTROL CABINET - INSTALL IN BEACH HOUSE
(WITH COVER REMOVED)



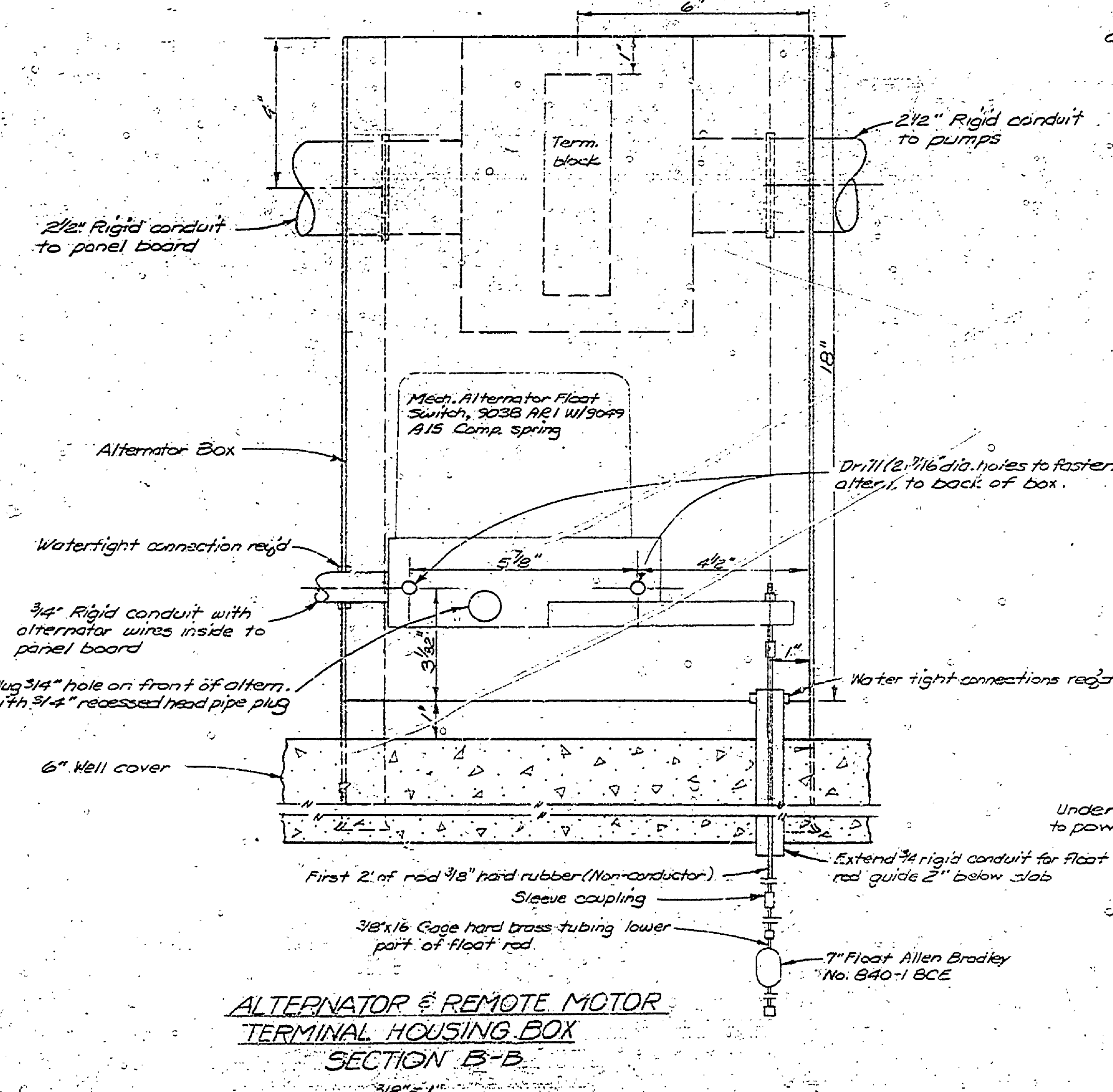
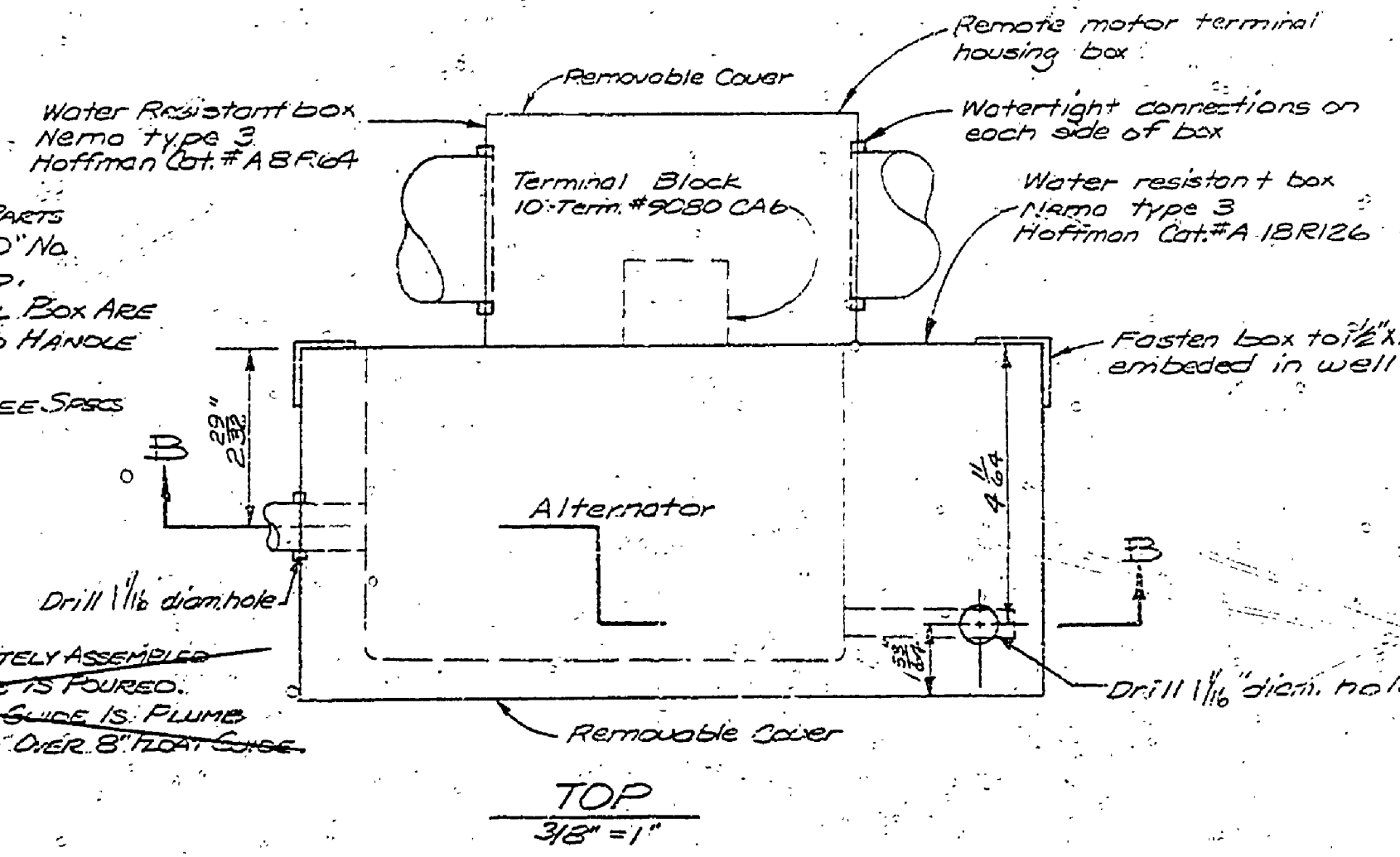
LEGEND
- - - Factory Wired
___ Wired on Job



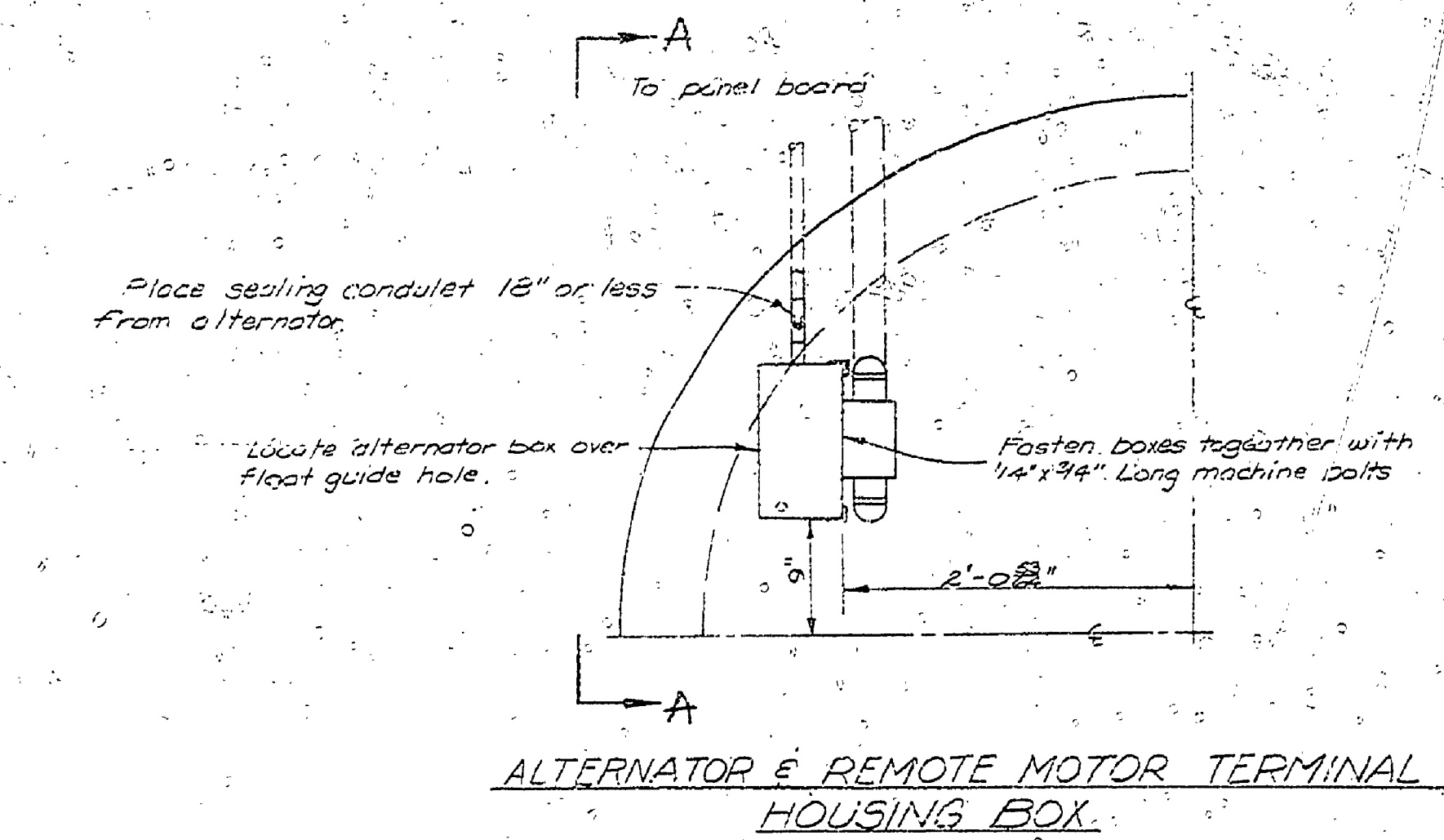
BOTTOM OF CONTROL CABINET
No Scale

NOTES
ALL NUMBERS SHOWN ON COMPONENT PARTS IN CONTROL CABINET ARE SQUARE "D" NO. SUBSTITUTES WILL NOT BE ACCEPTED. COMPONENT PARTS IN THIS CONTROL BOX ARE TO BE OF SUFFICIENT AMPERAGE TO HANDLE PUMP MOTORS FURNISHED. CABINET IS TO BE WEATHERPROOF (SEE SPECS FOR COMPLETE DESCRIPTION).

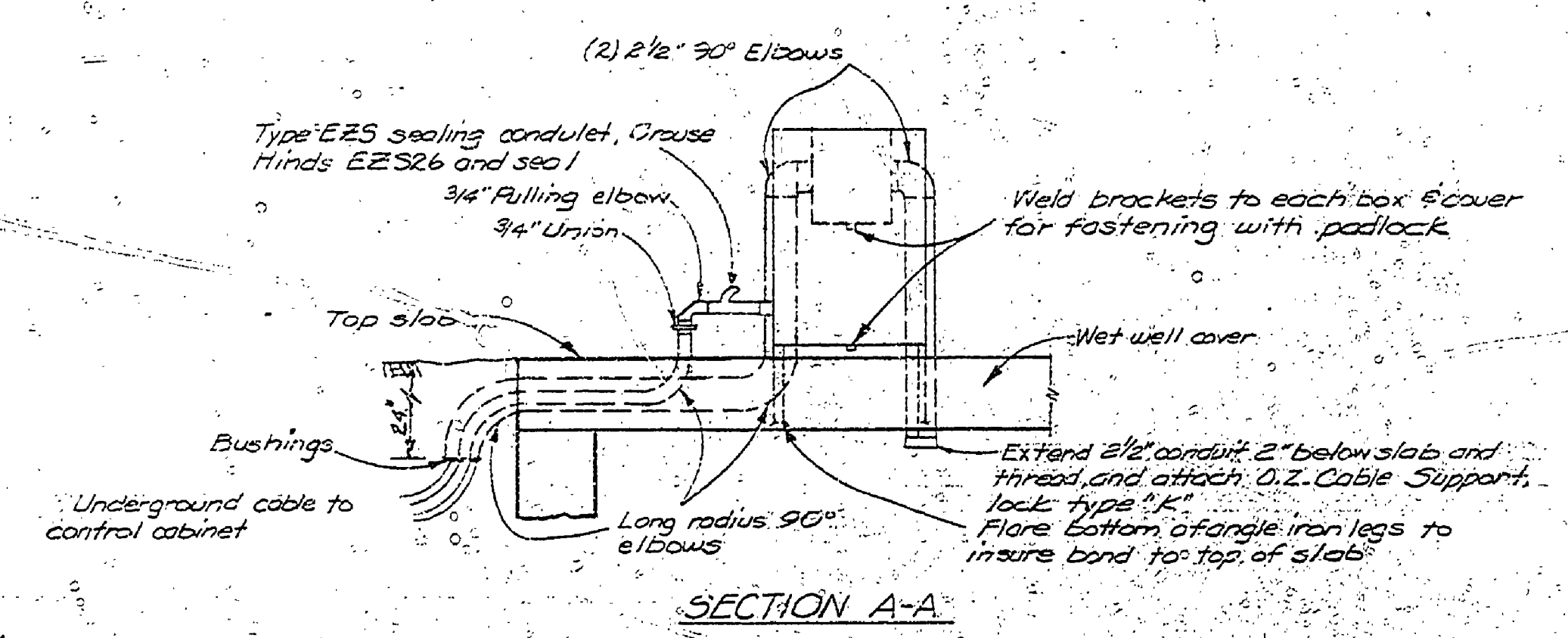
NOTES
CONTROL CABINET SHOULD BE COMPLETELY ASSEMBLED AND SET IN FORM BEFORE TOP DECK IS POURED. BE SURE 3/4" CONDUIT FOR FLOAT ROD GUIDE IS PLUMB AND STRAIGHT AND EXACTLY CENTERED OVER 8" HOLES.



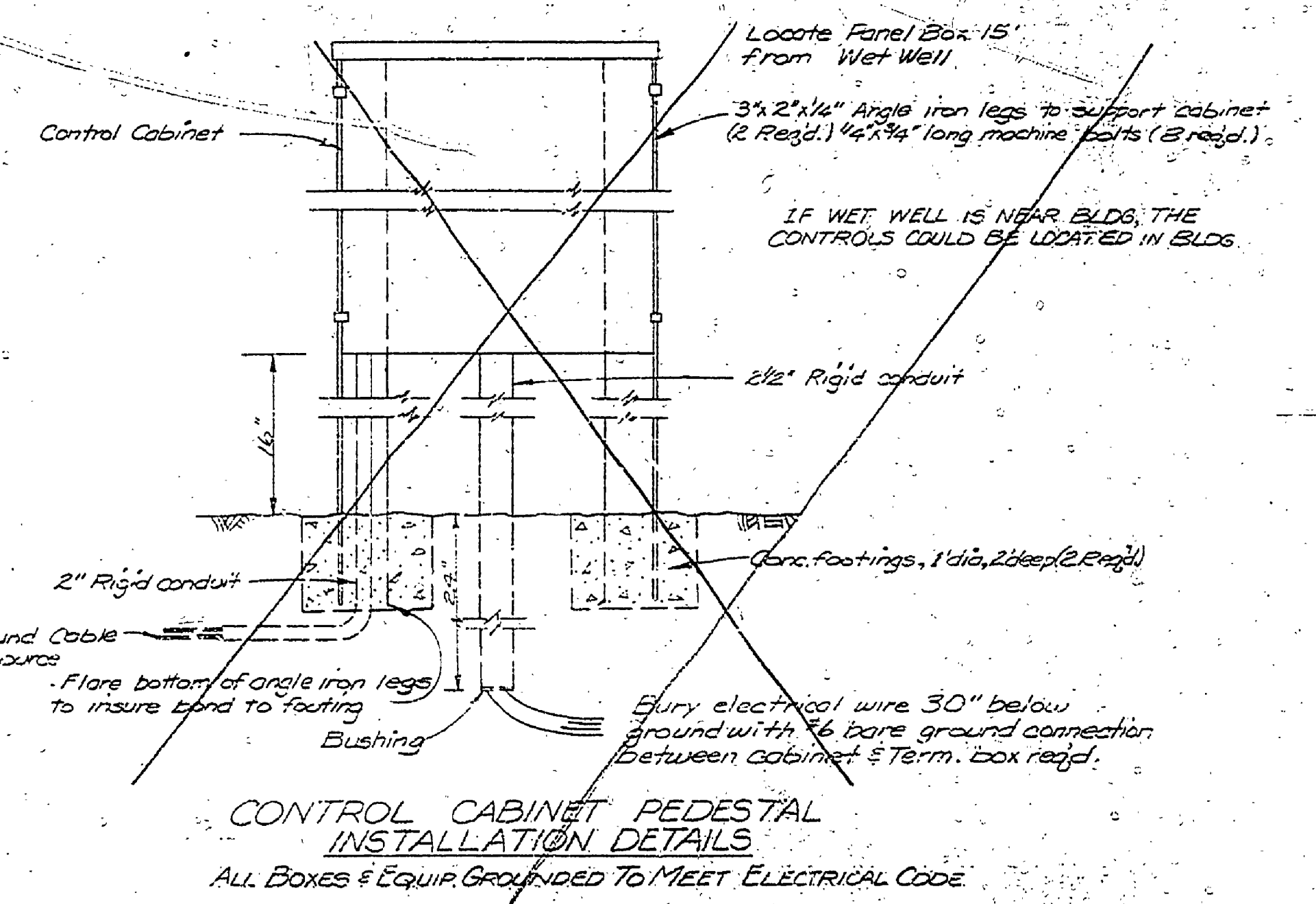
ALTERNATOR & REMOTE MOTOR
TERMINAL HOUSING BOX
SECTION A-A
3/8" = 1"



ALTERNATOR & REMOTE MOTOR TERMINAL HOUSING BOX



ALL ELECTRICAL CONNECTION AND MATERIAL TO CONFORM TO THE NATIONAL ELECTRICAL CODE.



CONTROL CABINET PEDESTAL
INSTALLATION DETAILS
ALL BOXES & EQUIP. GROUNDED TO MEET ELECTRICAL CODE

SURVEYED BY	DRAWN BY: C.E. MASSEY	9-69	NO. DATE BY	REVISIONS	NO. DATE BY	REVISIONS	MICHIGAN DEPARTMENT OF NATURAL RESOURCES	220 VOLT 1 PHASE PUMP CONTROL PANEL	YANKEE SPRINGS REC. AREA AREA OR PARK	PROJECT NO. 24-1211
DESIGNED BY	CHECKED BY		1. 9-69 J.M.O.M. Explosion-Proofing Revision		3.				BEACH HOUSE UTILITIES	SHEET 6 OF 6 PLAN NO. E-147
	DATE		2.		4.					