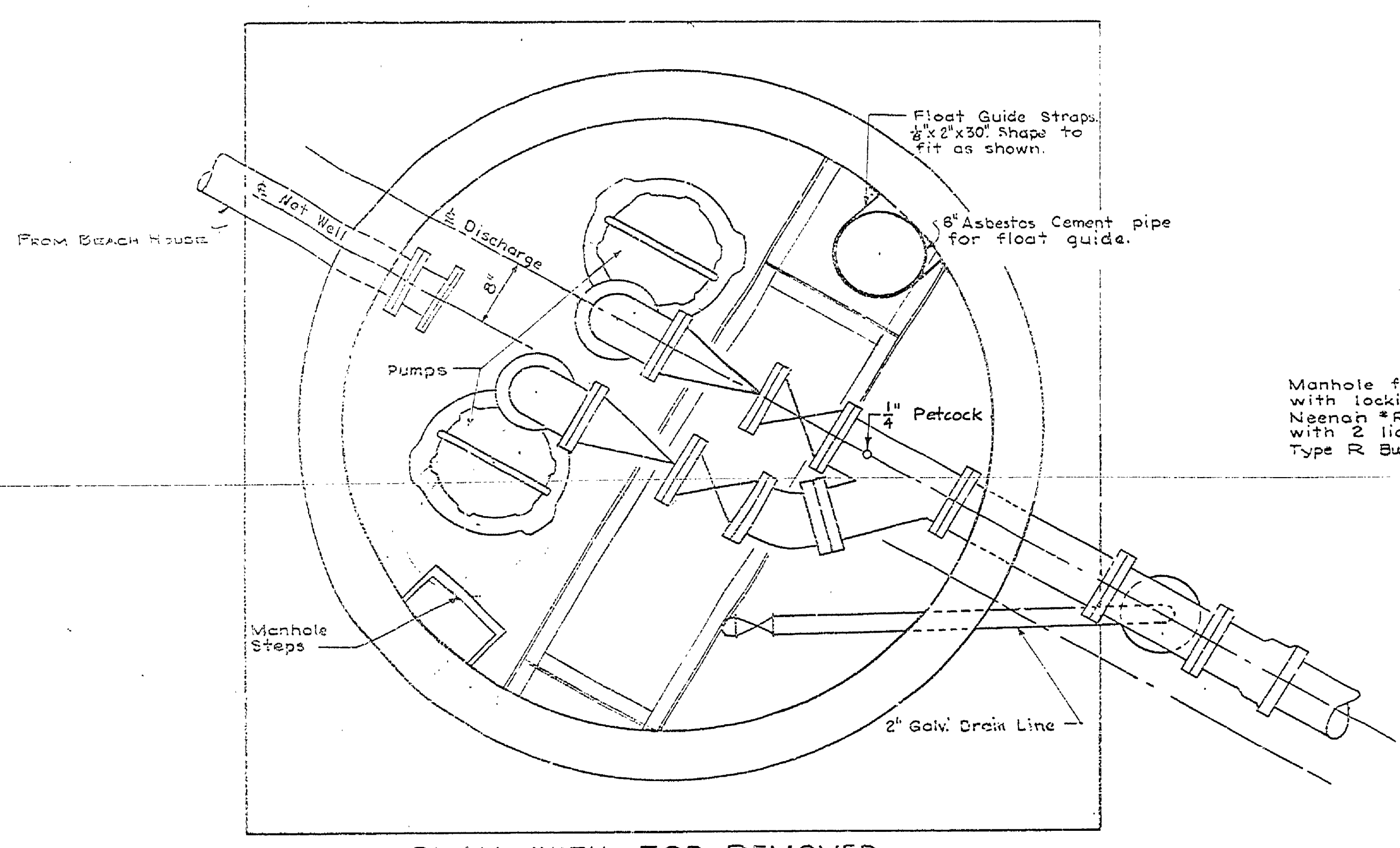


REVISIONS	NO.	DATE	BY
	1	9/18/49	J. H. [unclear]
	2		
	3		
	4		
	5		
	6		

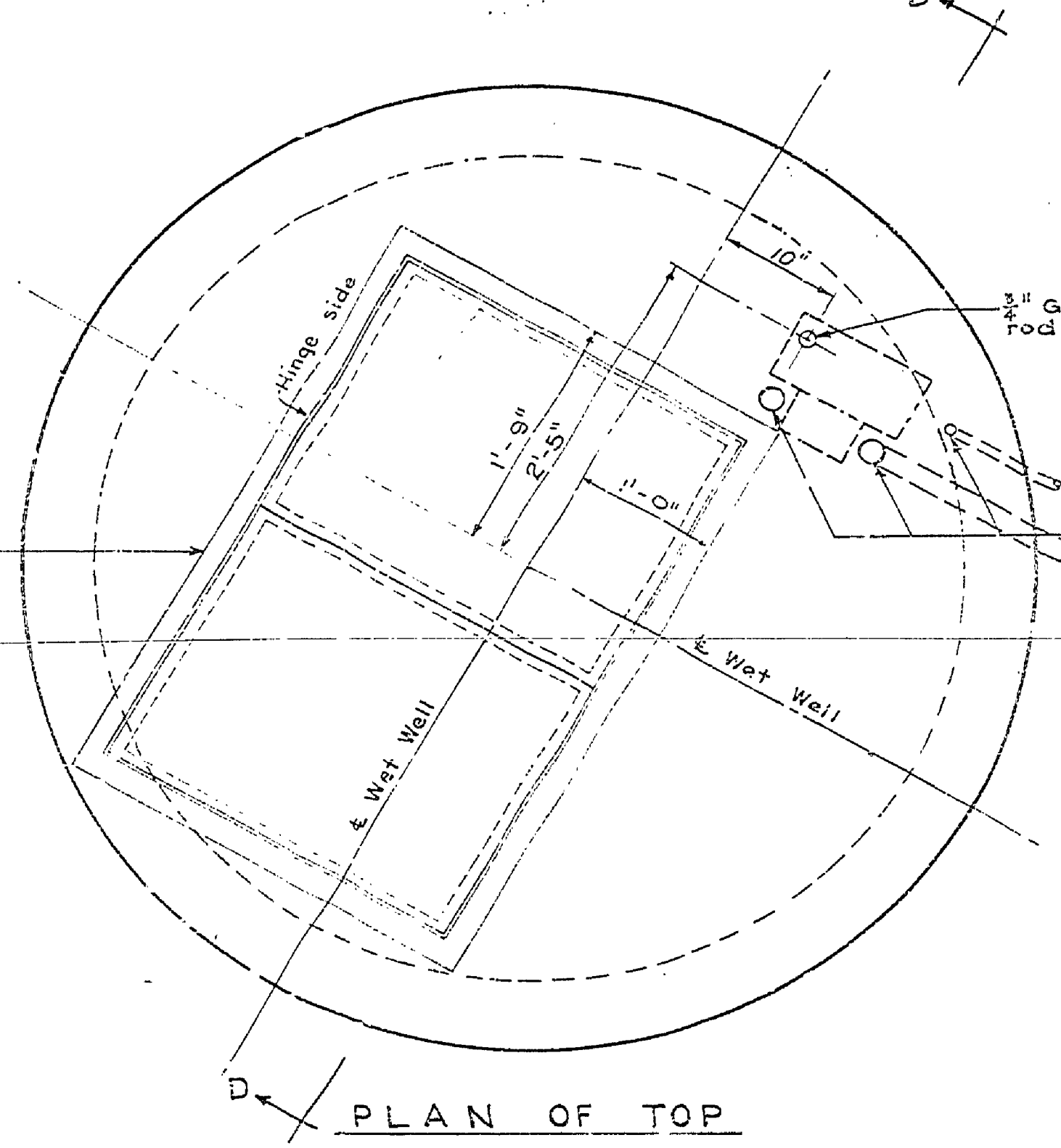
APPROVED BY	DATE

REVIEWED BY SECTIONS	DATE
ARCHITECTURAL	
ENGINEERING	
LANDSCAPE	

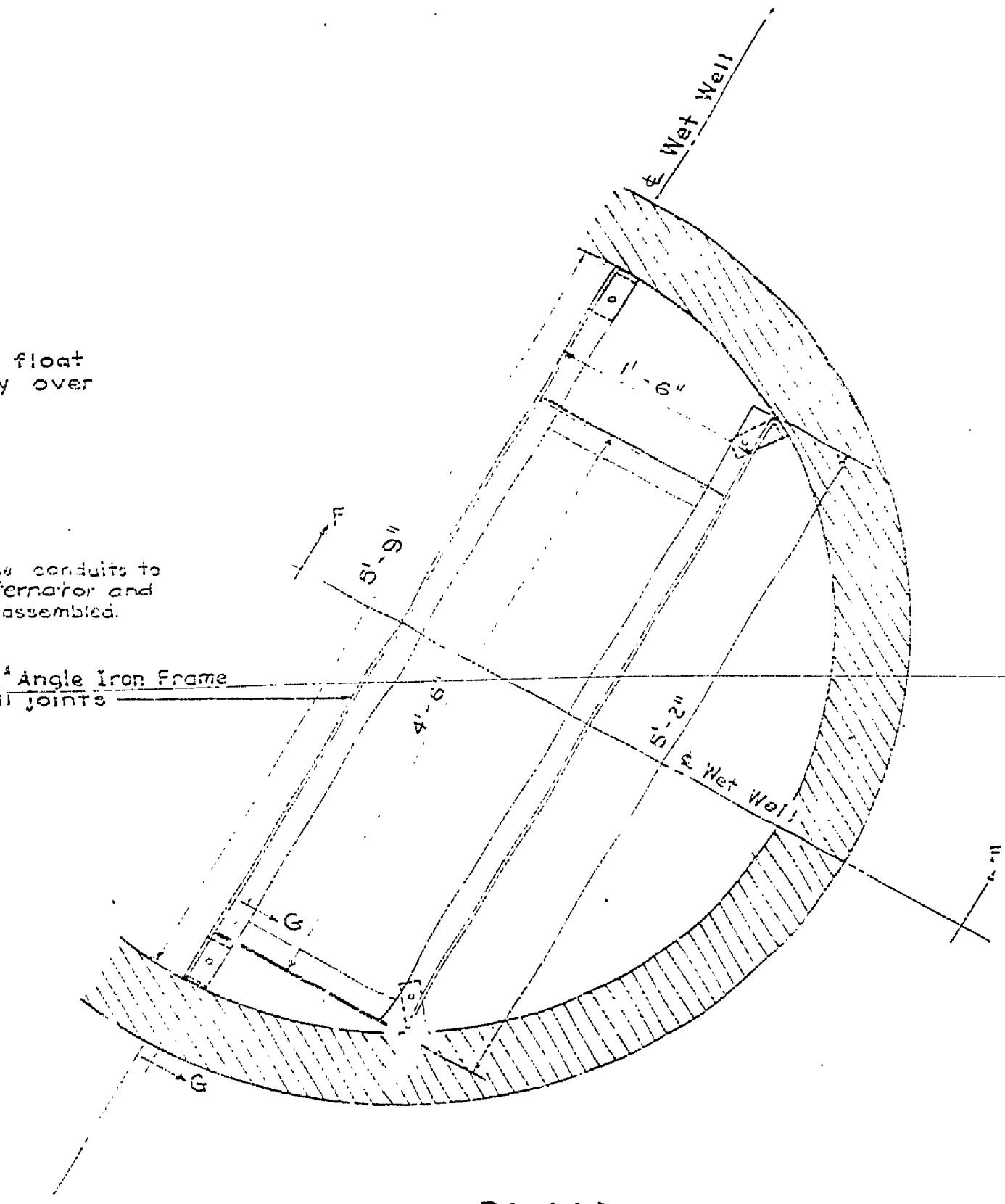
DRAWN BY	TRACED BY	CHECKED BY	DATE



PLAN WITH TOP REMOVED

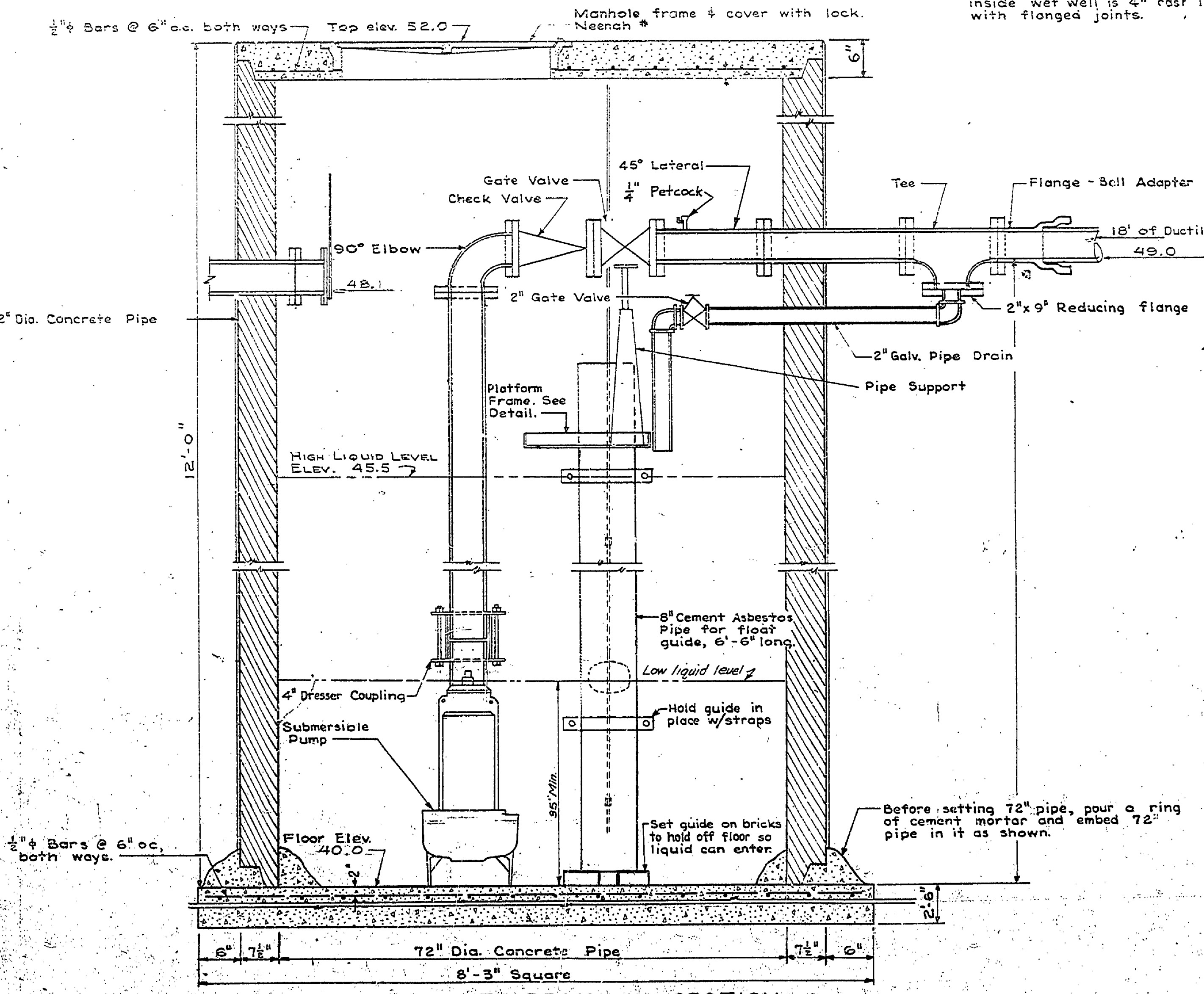


PLAN OF TOP

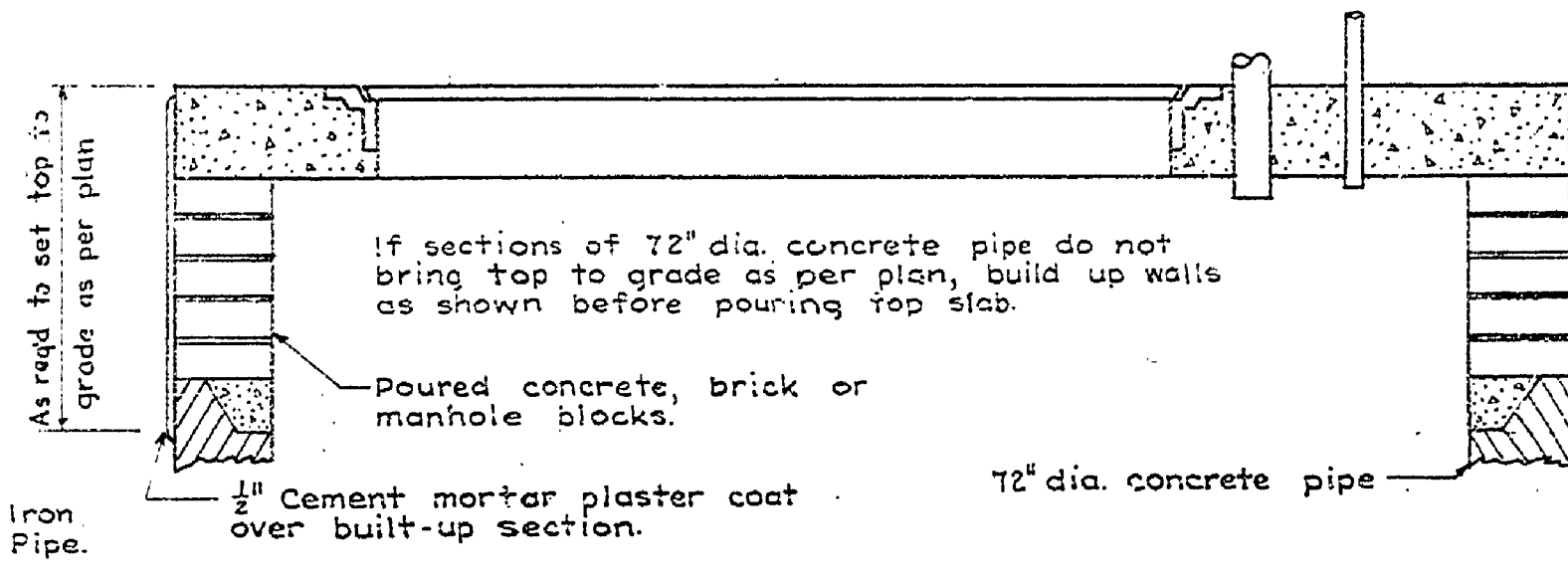


PLAN

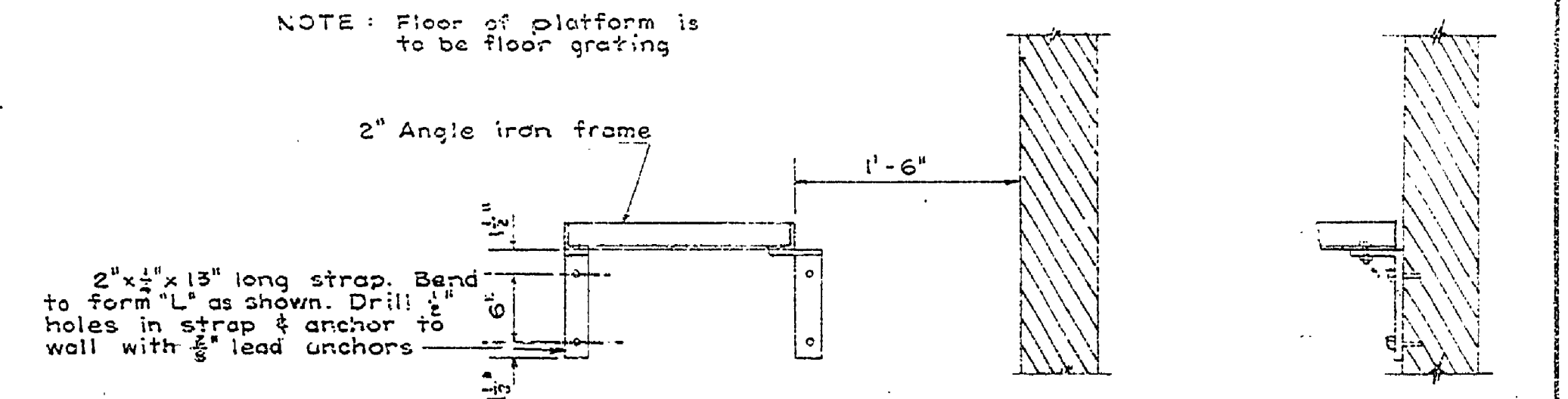
NOTE: All pipe (unless otherwise noted) inside wet well is 4" cast iron with flanged joints.



SECTION C-C WITH DRAIN IN SECTION



SECTION D-D

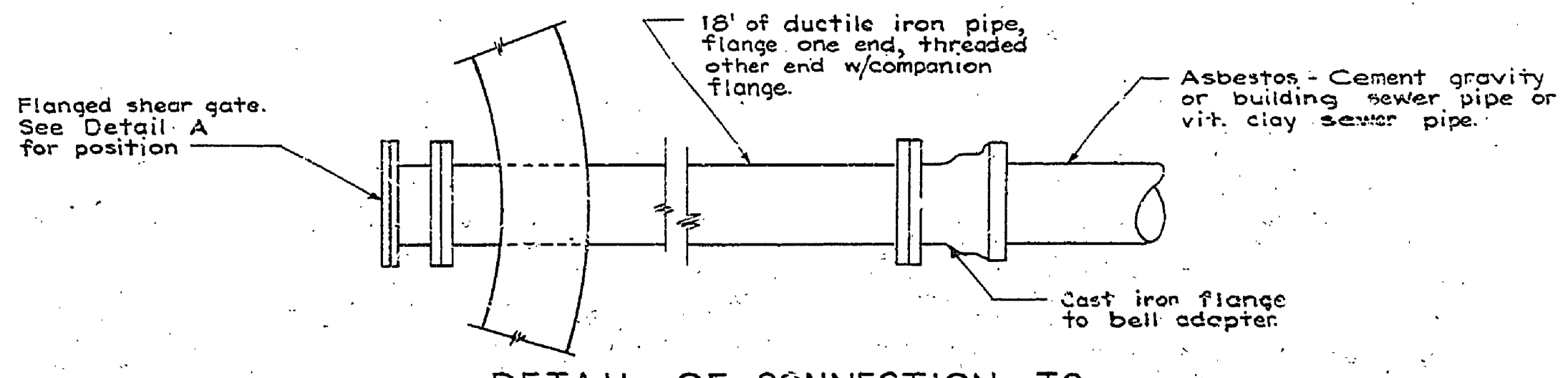


NOTE: Floor of platform is to be floor grating.

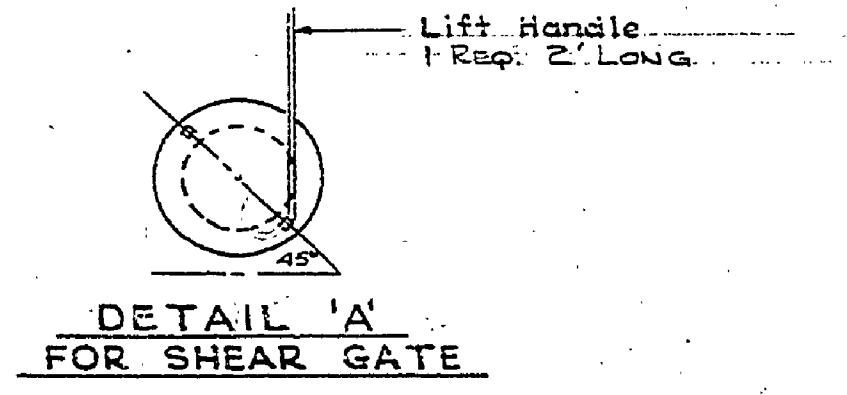
SECTION F-F

SECTION G-G

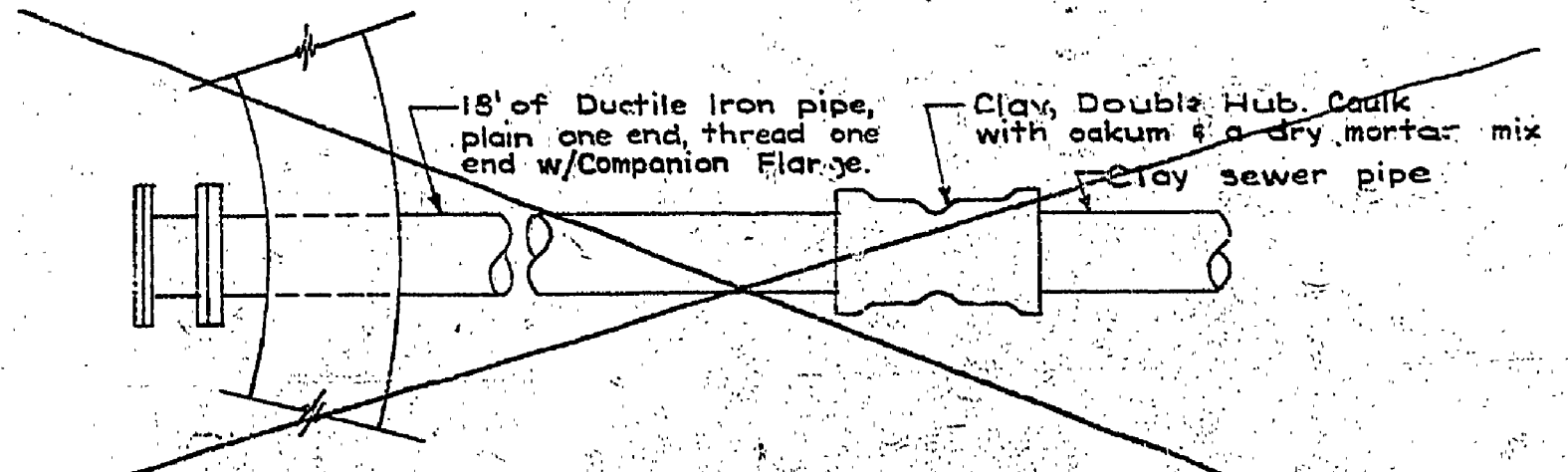
PLATFORM DETAILS



DETAIL OF CONNECTION TO ASBESTOS-CEMENT SEWER PIPE (Not to scale)



DETAIL 'A' FOR SHEAR GATE



DETAIL OF CONNECTION TO CLAY SEWER PIPE

WET WELL AND PUMP STATION

MICHIGAN DEPARTMENT OF CONSERVATION

YANKEE SPRINGS RECREATION AREA

SHEET NO. 5 OF 6 PLAN NO. E-147

RE-MICROFILM

5E-157