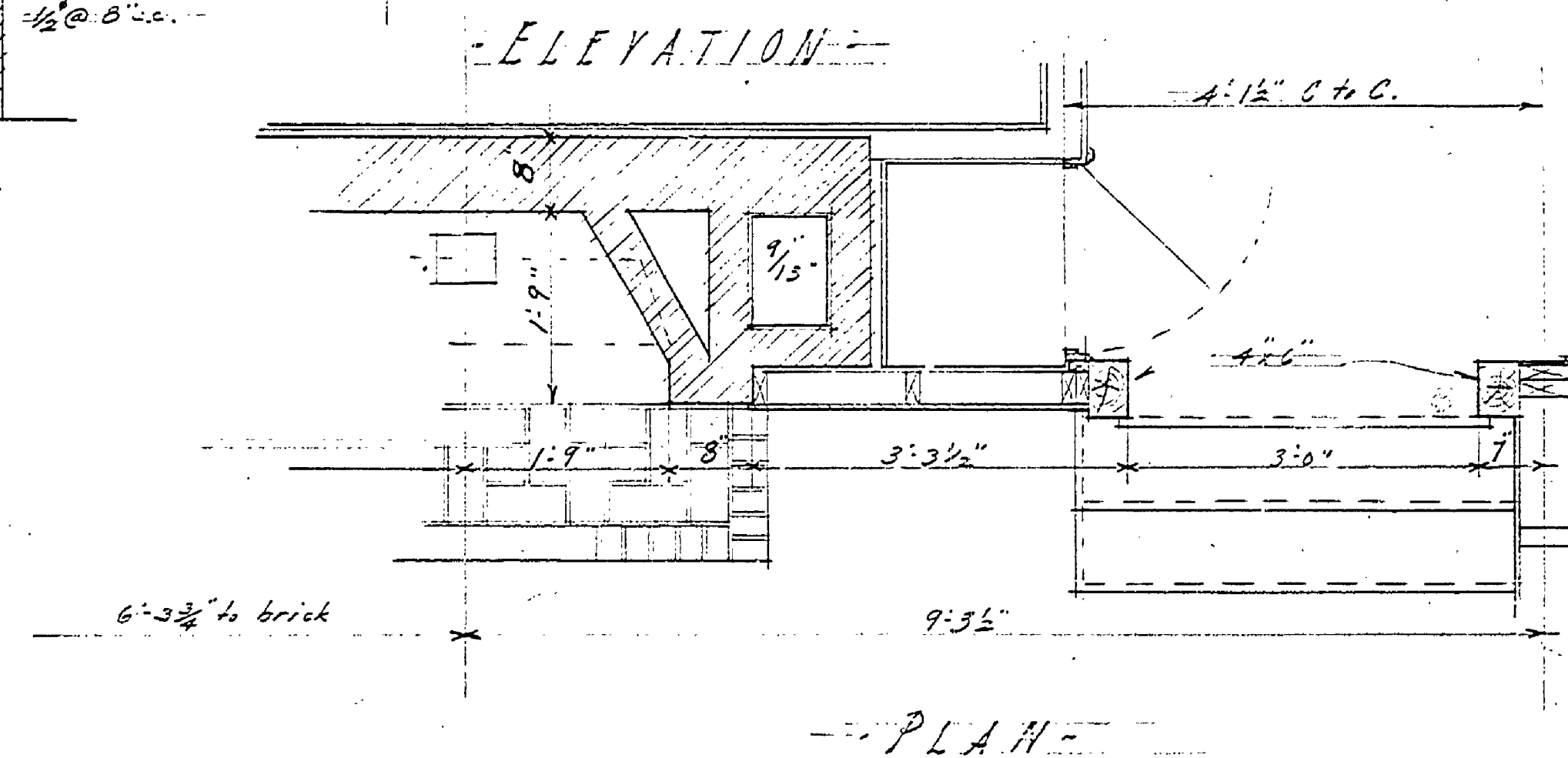
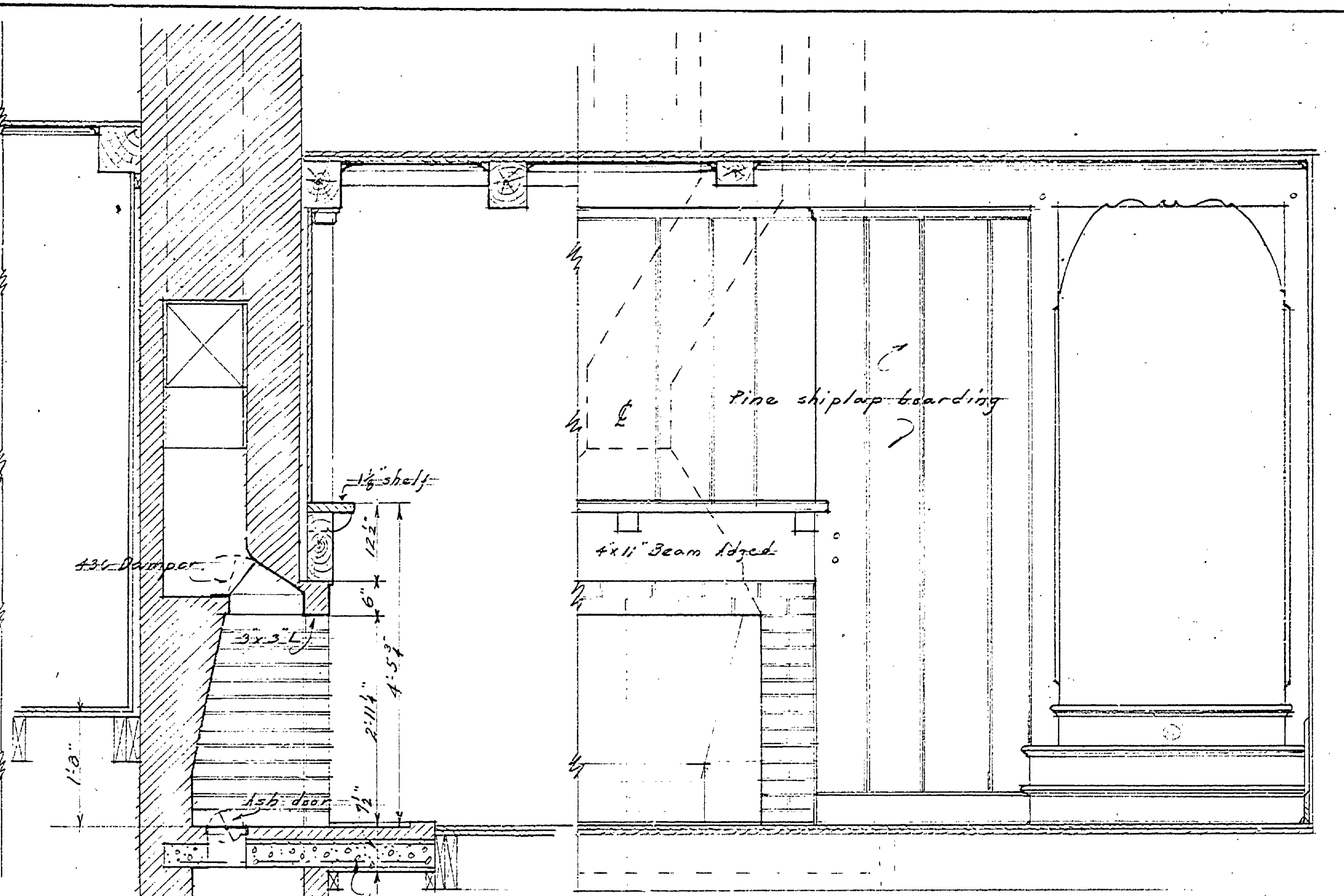
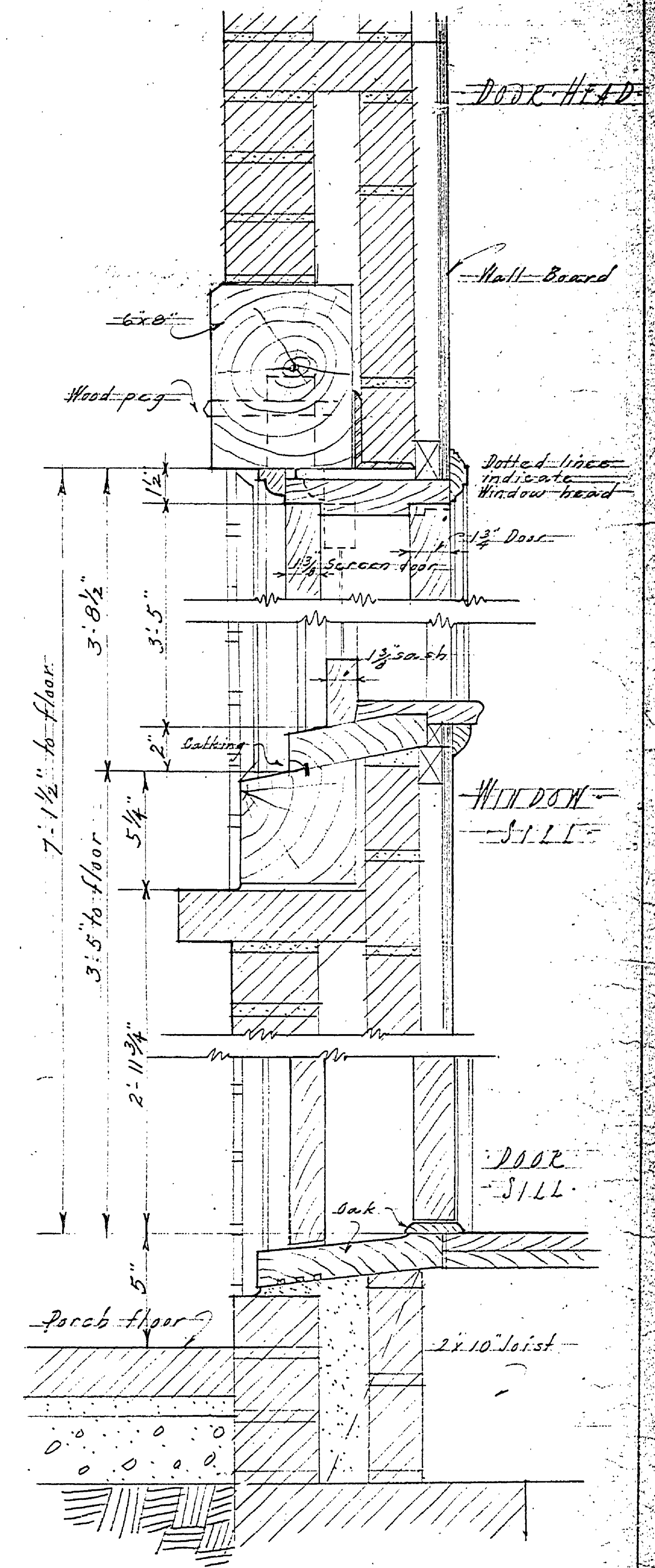


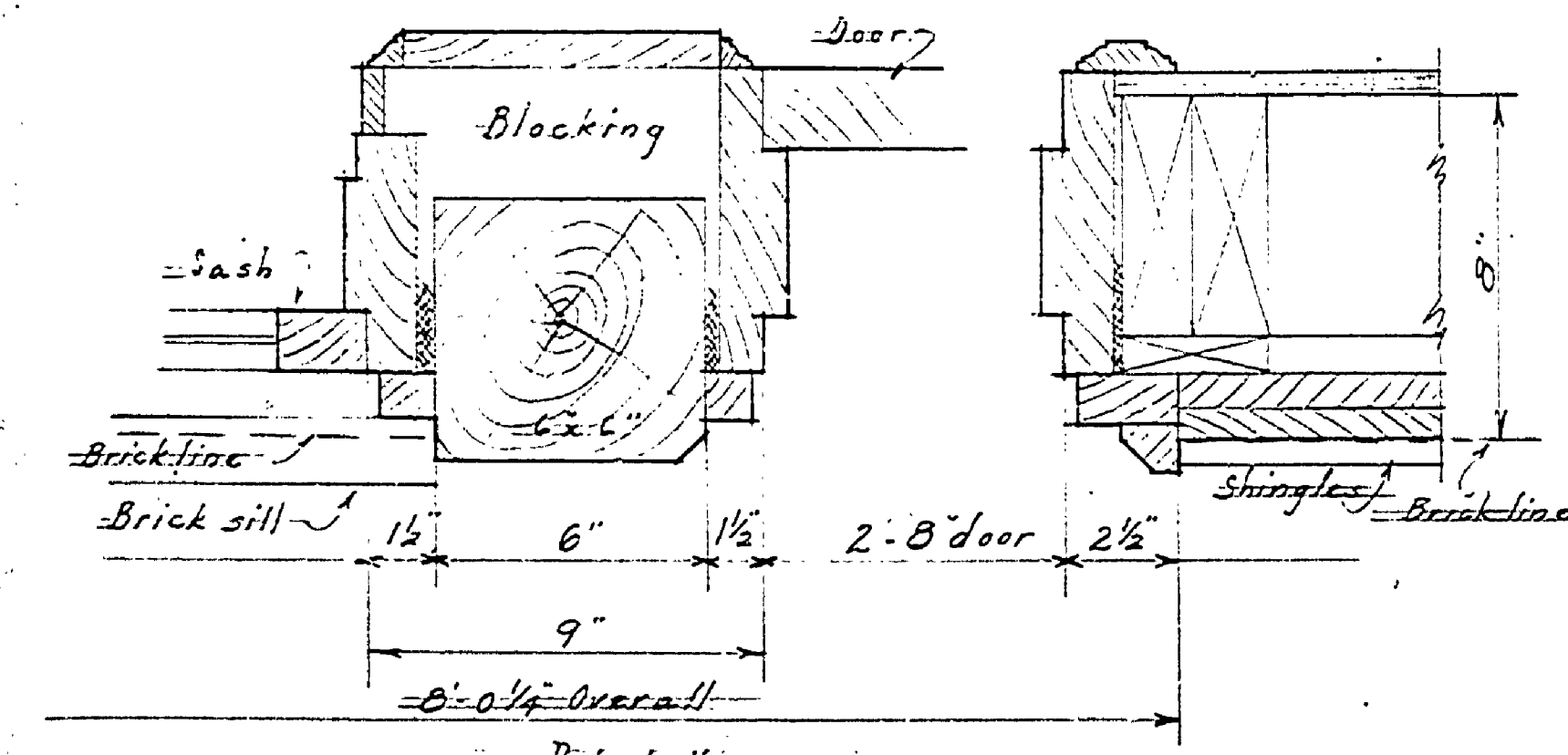
DETAIL OF OFFICE FIREPLACE
Scale 3/4"=1'-0"



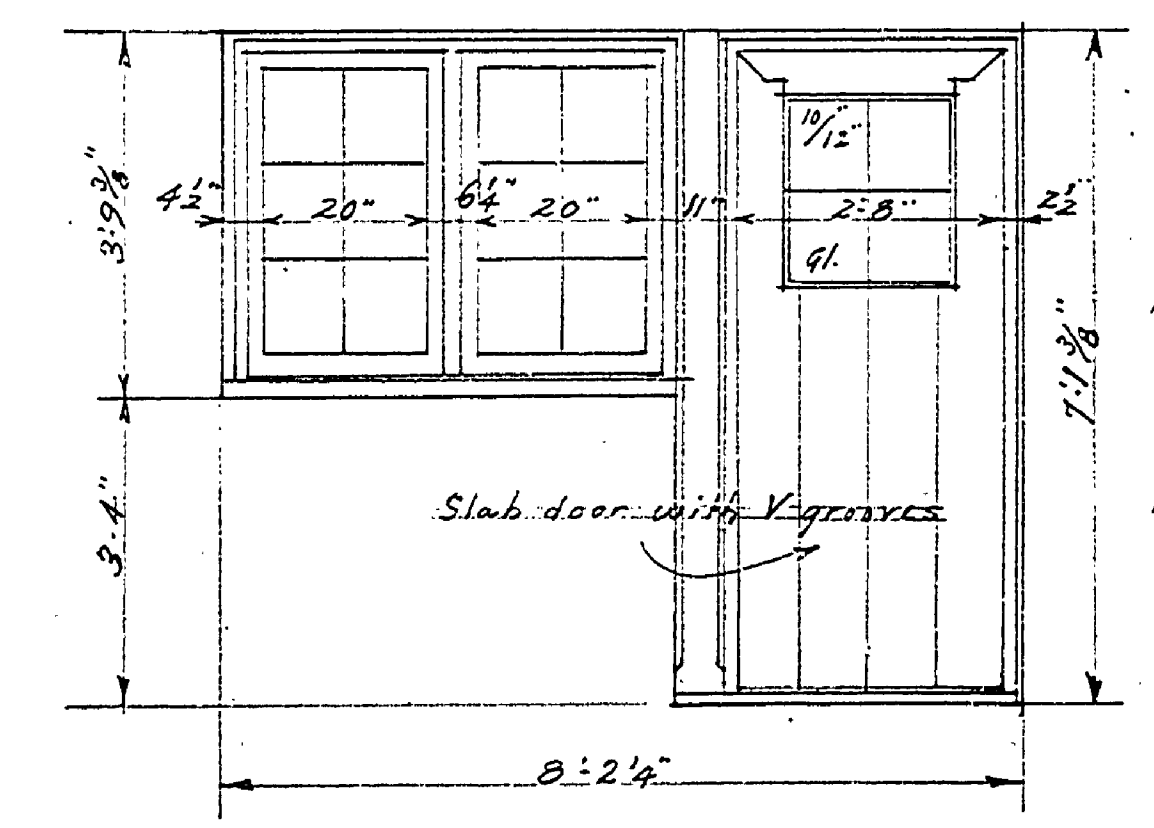
DETAIL OF LIVING ROOM FIREPLACE
Scale 3/4"=1'-0"



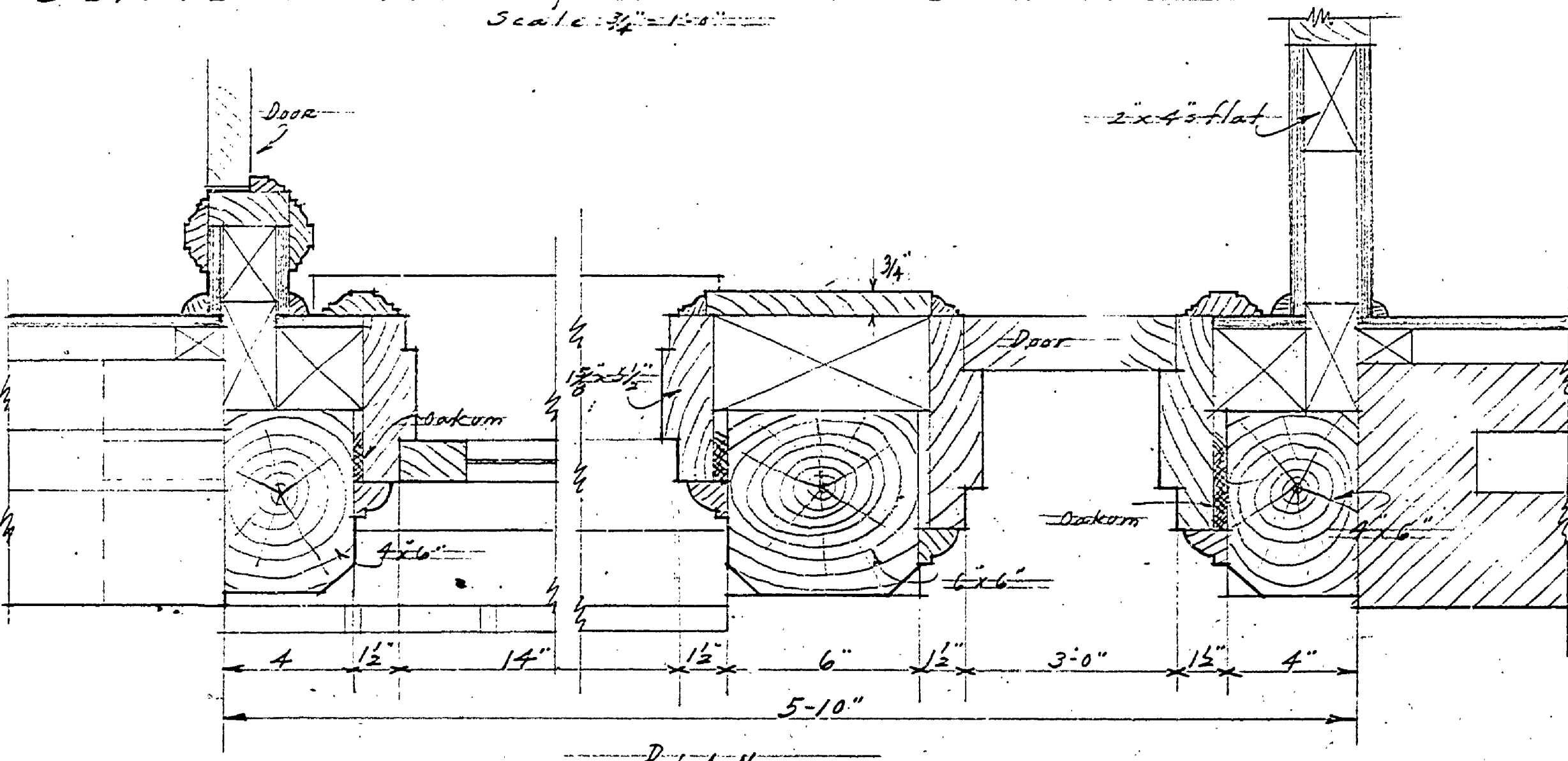
SECTION
Scale 3/4"=1'-0"



DETAIL OF OFFICE ENTRANCE
Scale 3/4"=1'-0"



ELEVATION
Scale 3/4"=1'-0"



DETAIL OF MAIN ENTRANCE DOOR
Scale 3/4"=1'-0"

PROJECT: SUPT'S RESIDENCE #25-D
LUDINGTON STATE PARK #SP2
P. D. KREZICK ARCHT.
DATE: 5-7-34

A-99

3

MASTER PLAN