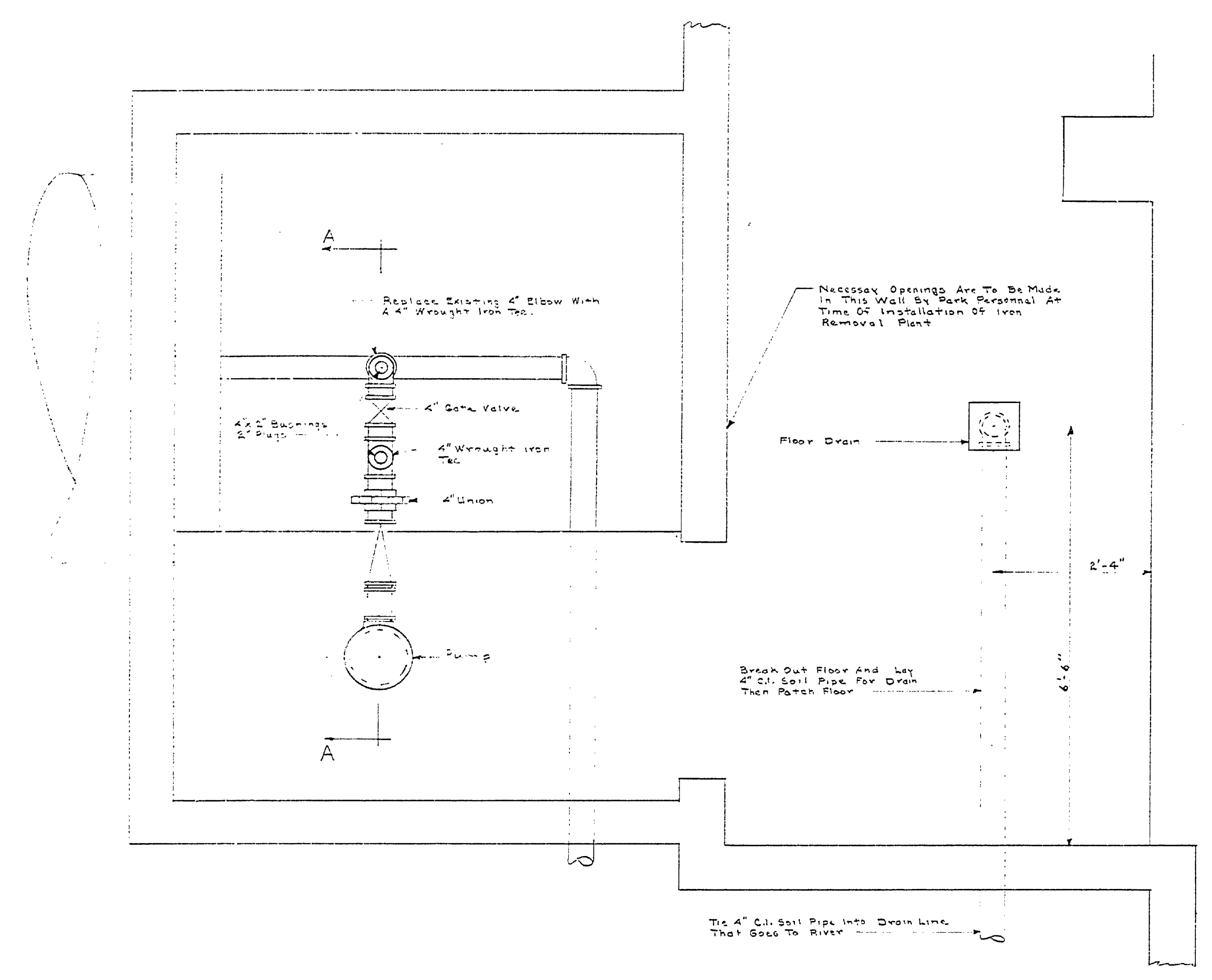
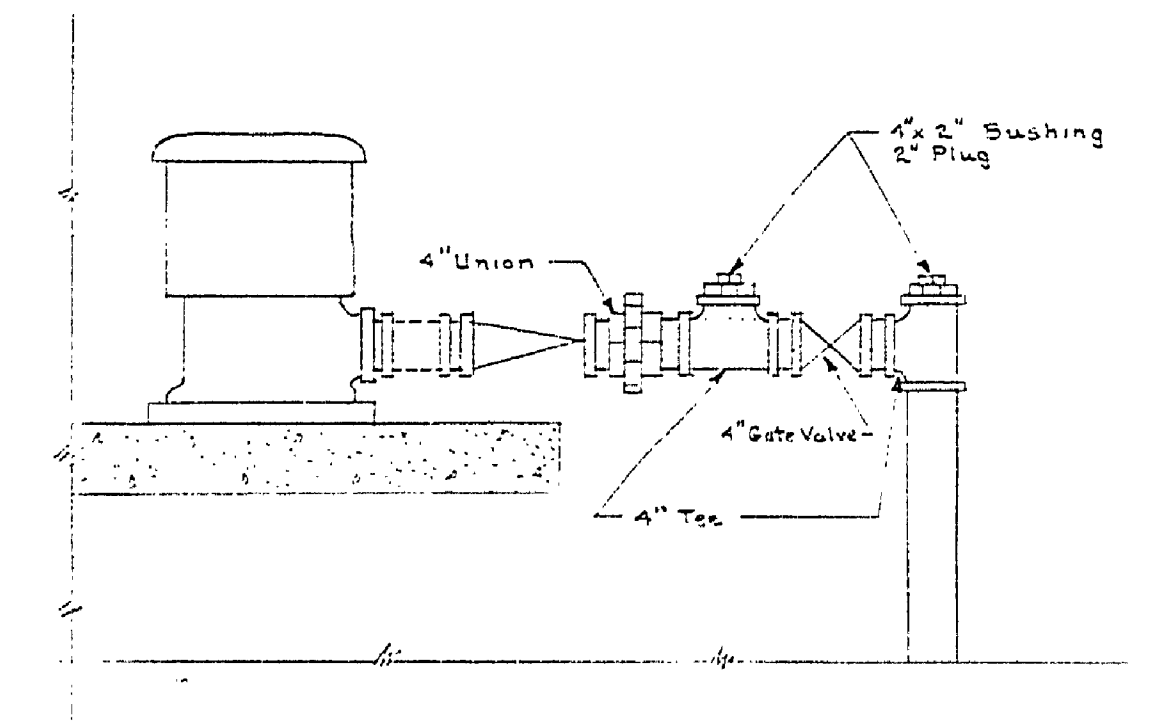


DESIGNED BY	DATE	REVIEWED	DATE	APPROVED	DATE	NO.	DATE	BY	REVISIONS	DATE	BY
B.H.S.	1-19-51	ARCHITECTURAL	1-19-51	<i>[Signature]</i>	1-19-51	1			4		
D.H.G.	1-27-51	ENGINEERING	1-27-51	<i>[Signature]</i>	1-27-51	2			5		
E.J.P.		LANDSCAPE		<i>[Signature]</i>	1-31-51	3			6		



P L A N



SECTION A-A

PIPING REVISIONS FOR IRON REMOVAL PLANT (PUMPHOUSE AT GARAGE AND SHOP)

MICHIGAN
DEPARTMENT OF CONSERVATION
PARKS AND RECREATION DIVISION

LUDINGTON STATE PARK
WELLS - PUMPS AND PUMPHOUSES
Scale 3/4" = 1'-0"

SHEET
NO. 1
OF 1

PLAN NO.
E 86 A