

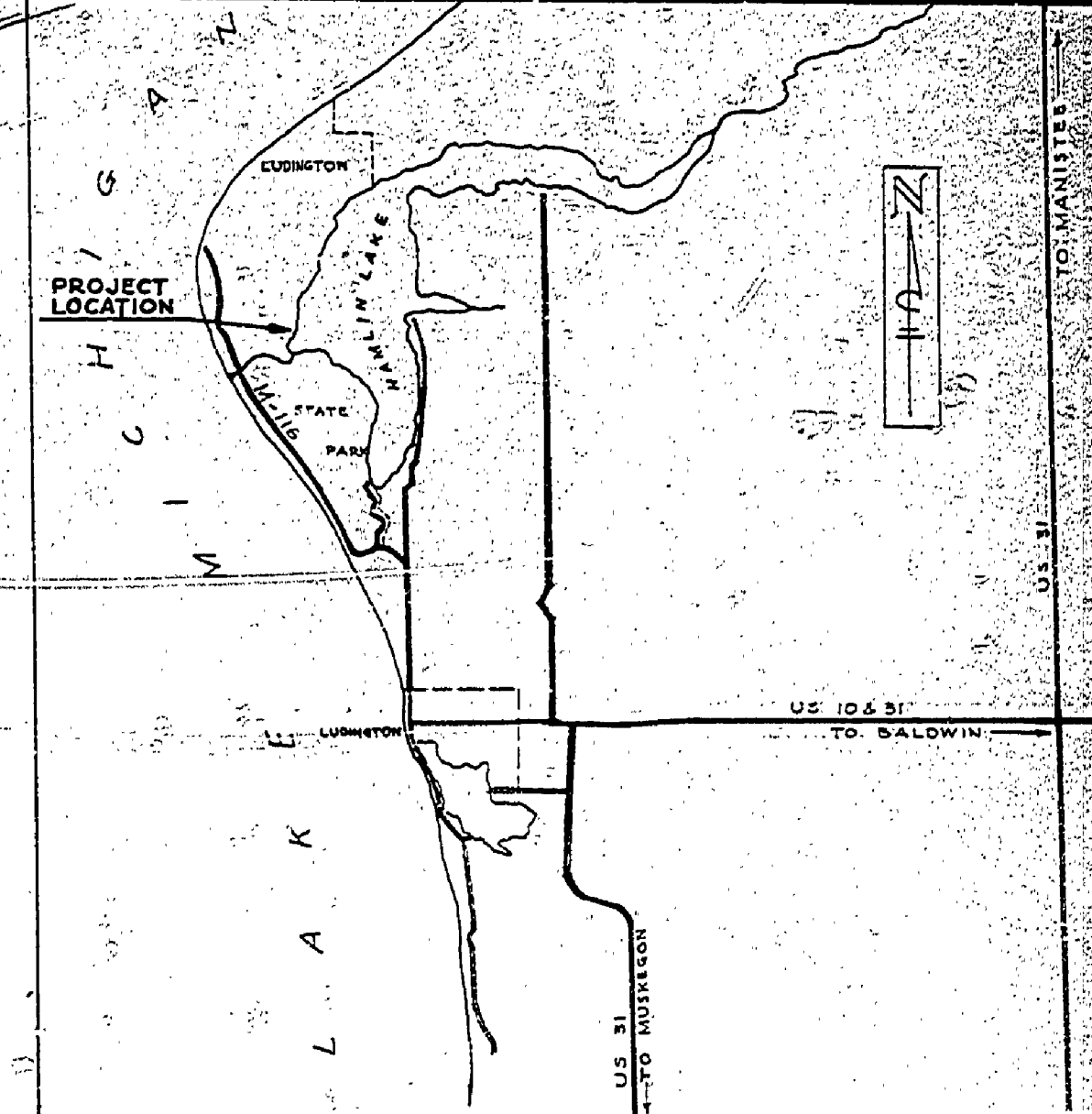
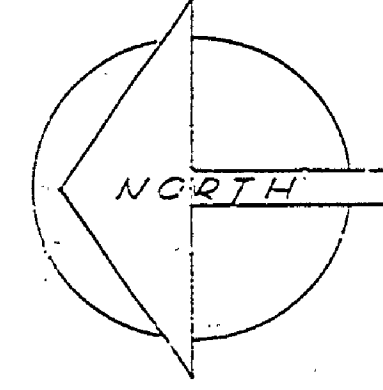
DATE	REVIEWED	DATE	APPROVED	DATE	NO.	DATE	REVISIONS
5-61	ARCHITECTURAL	7-27-61		1	11-27-61	1	SHOW SCHEDULES ON PROP. PLAN
5-61	ENGINEERING	7-27-61		2		2	
7-61	LANDSCAPE	7-27-61		3		3	
				4		4	
				5		5	
				6		6	

# TOILET AND SHOWER BUILDING

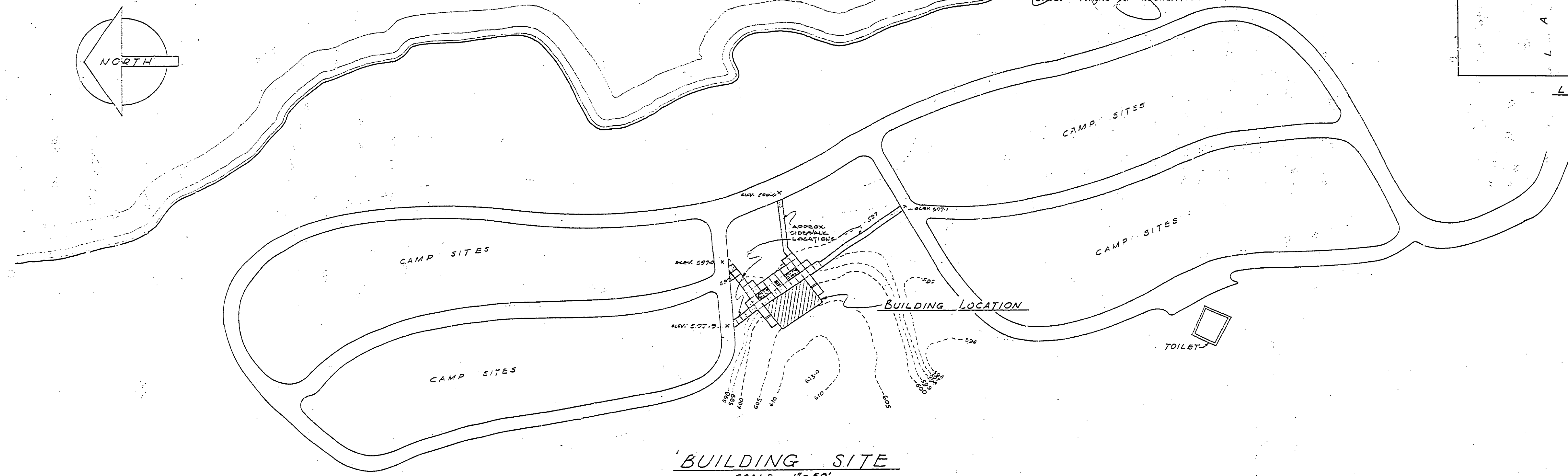
LUDINGTON STATE PARK  
NORTH BEECHWOOD CAMPING AREA  
PROJECT NO. 975-36-C2

*Richard Thomas* 7/31/61  
CHIEF - PARKS & RECREATION DIVISION

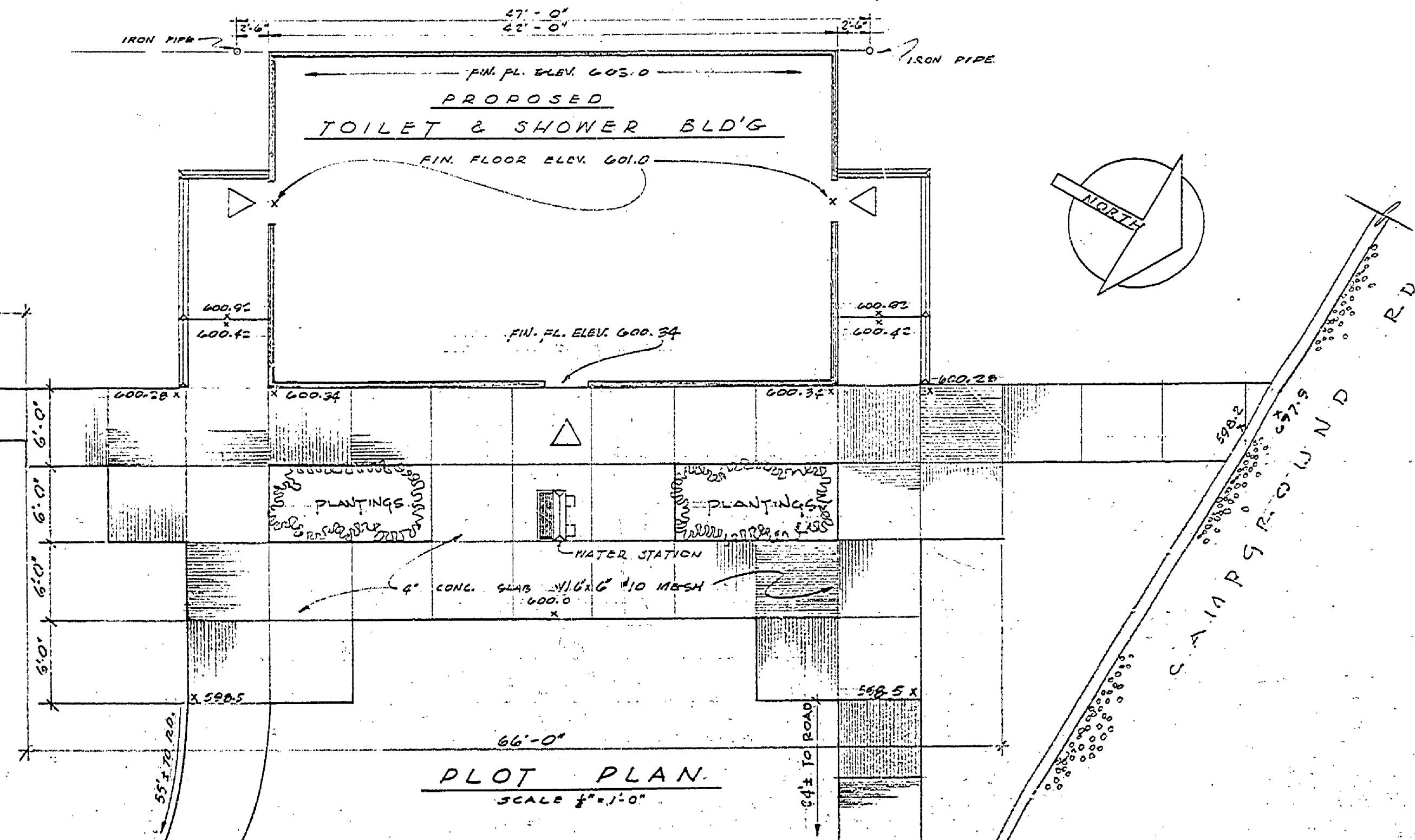
HAMLIN LAKE



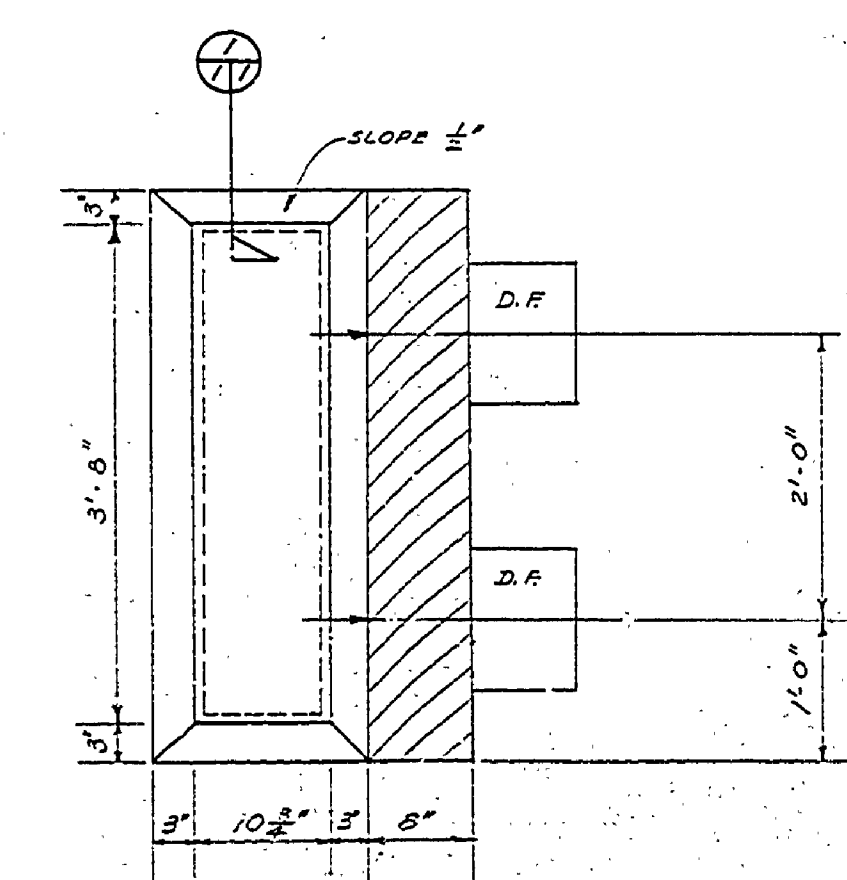
LOCATION MAP



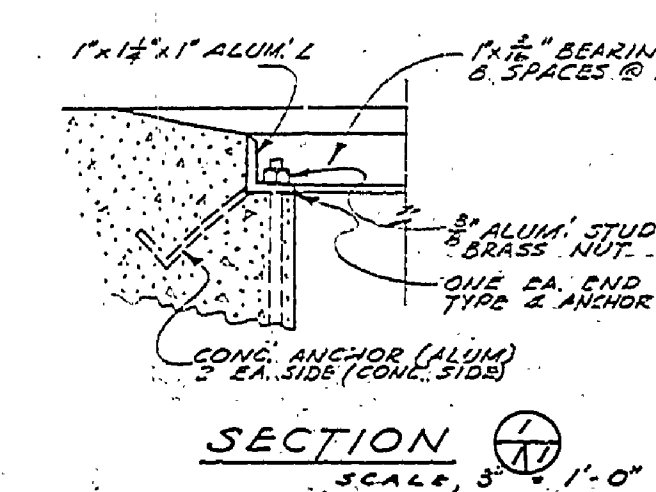
BUILDING SITE  
SCALE 1" = 50'



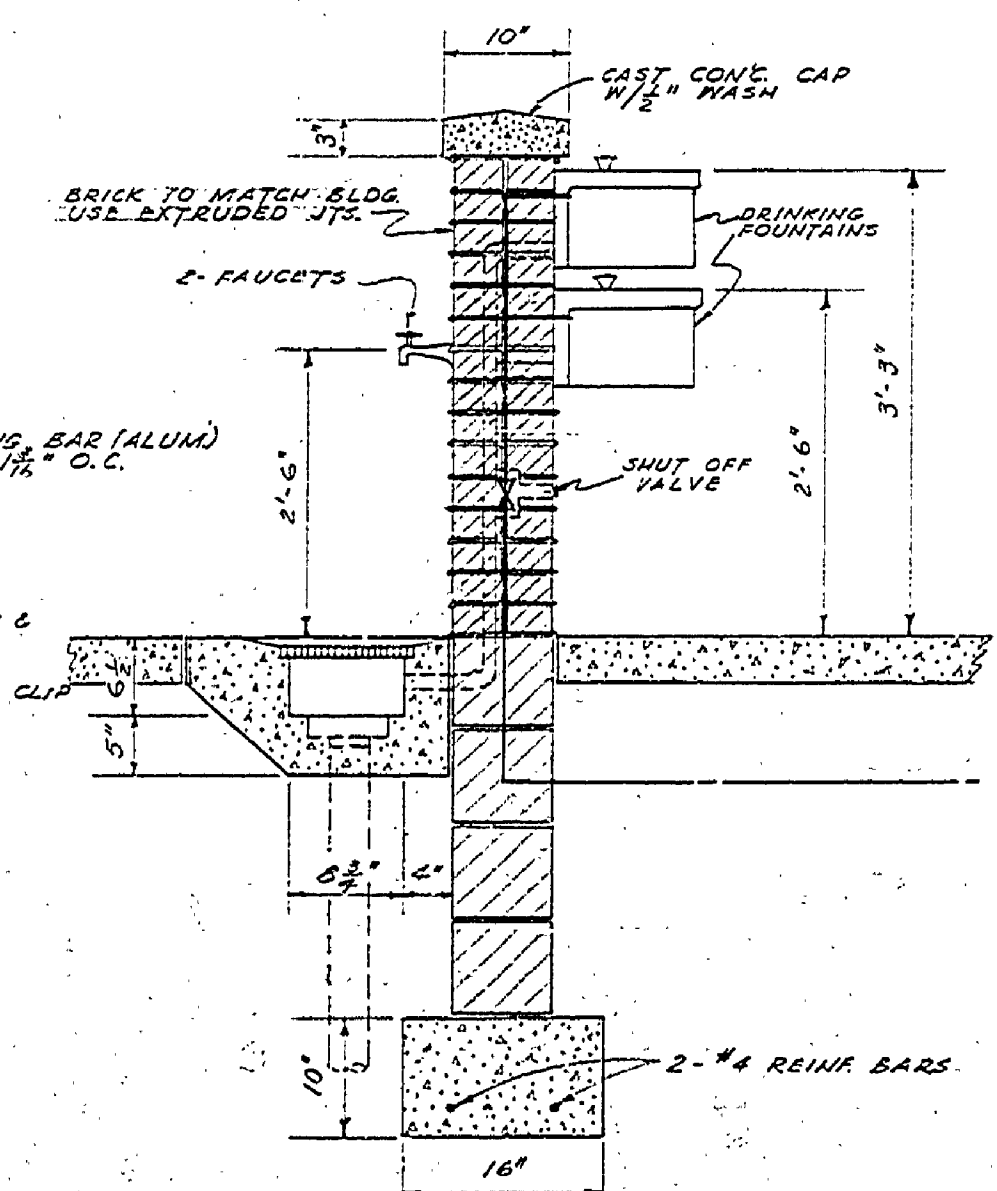
PLOT PLAN  
SCALE 1/4" = 1'-0'



SECTION (1)  
SCALE, 3/4" = 1'-0'



SECTION (2)  
SCALE, 3/4" = 1'-0'



SECTION (3)  
SCALE, 3/4" = 1'-0'

DRAWING SCHEDULE		
PLAN NO.	SHEET NO.	TITLE
A-107	1	TITLE & LOCATION PLAN
A-107	2	FOUNDATION & FLOOR PLAN
A-107	3	SECTIONS & DETAILS
A-107	4	ELEVATIONS & DETAILS
A-107	5	ELECTRICAL & PLUMBING PLAN

PLANS PREPARED BY  
ENGINEERING & ARCHITECTURE  
APPROVED *Richard Thomas* 7-27-61  
ENGINEER IN CHARGE DATE

MICHIGAN  
DEPARTMENT OF CONSERVATION  
PARKS AND RECREATION DIVISION

LUDINGTON STATE PARK  
TOILET & SHOWER BUILDING  
NORTH BEECHWOOD CAMPING AREA

SHEET NO. 1 OF 5  
PLAN NO. A-107

MASTER PLAN # 62