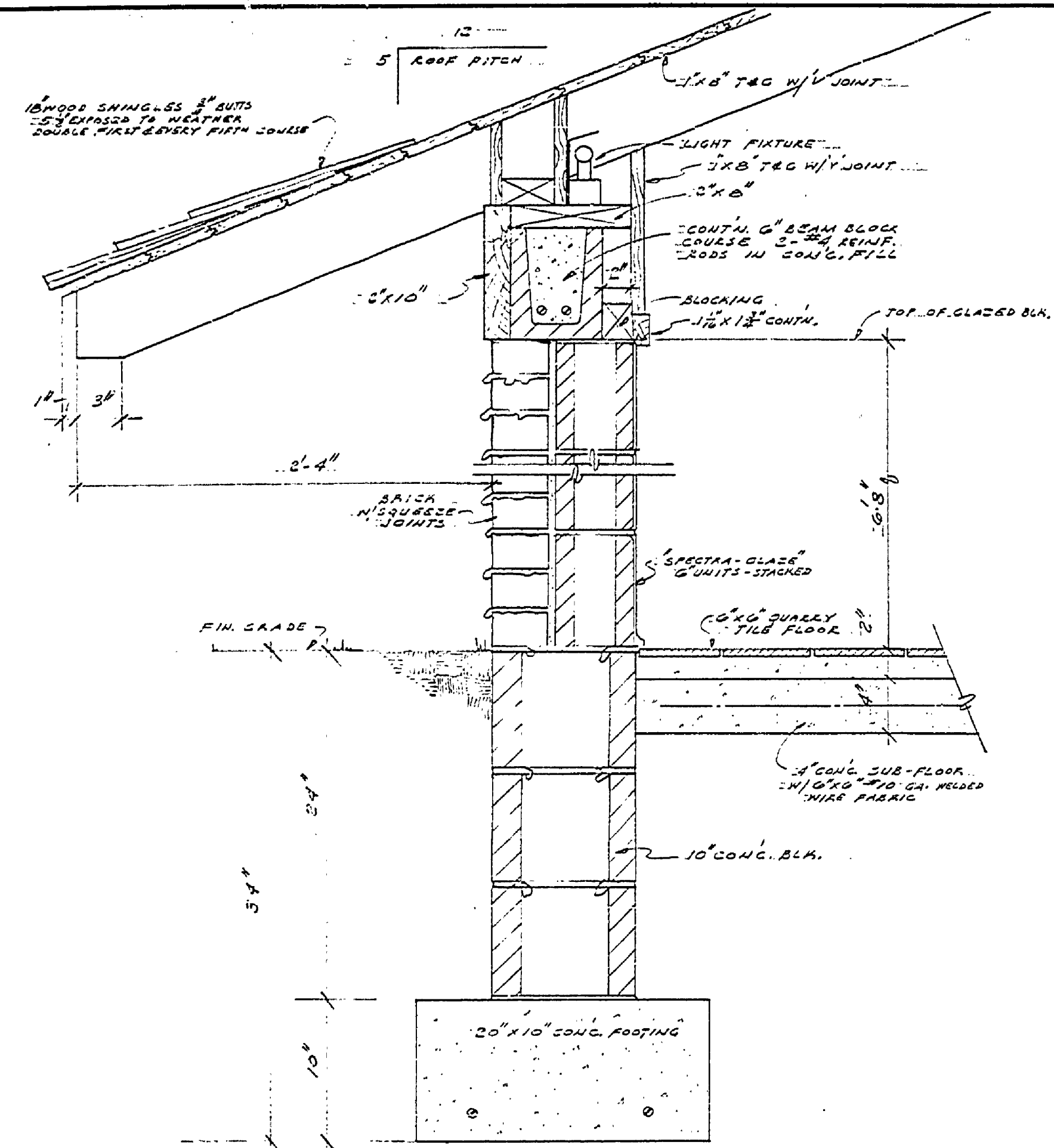
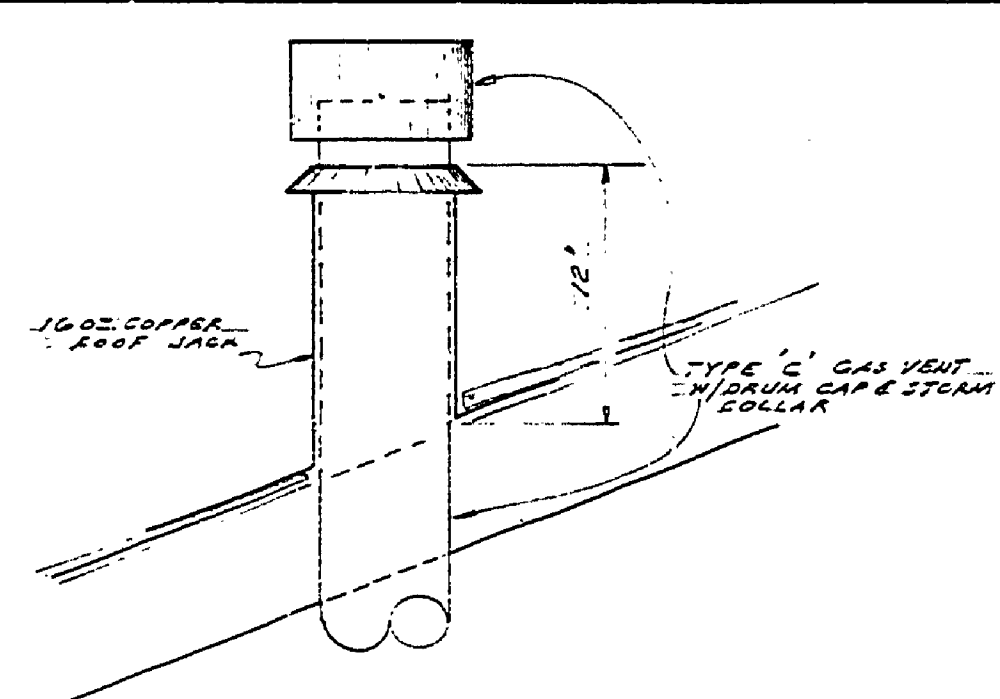


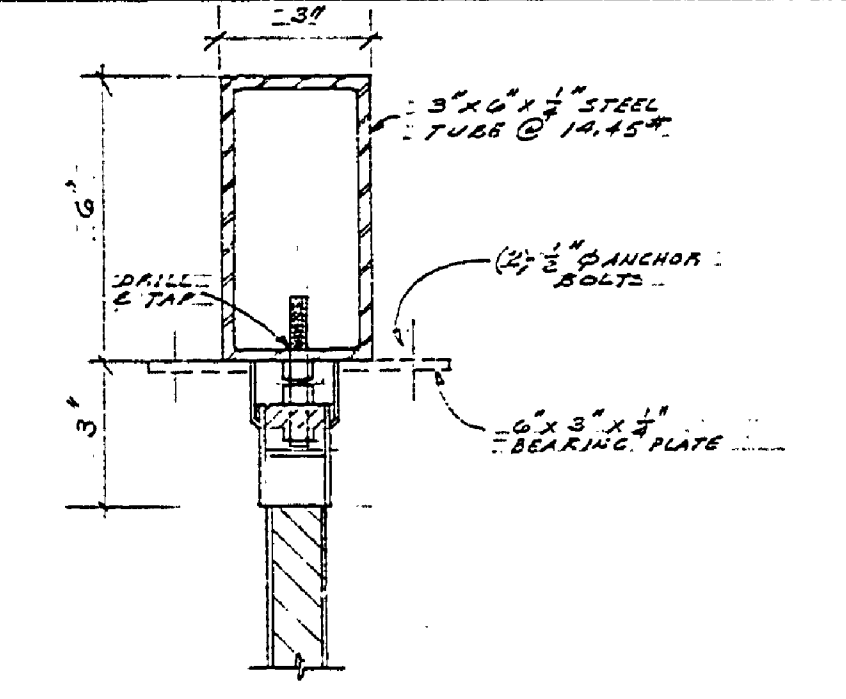
DESIGNED BY	DATE	REVIEWED	DATE	APPROVED	DATE	NO.	DATE	BY	REVISIONS
J. D. GREENWOOD	5-6-41	ARCHITECTURAL	7-27-41		1	12-16-41	MPA	REVISE CAPRIS - 2649 3'-0"	4
DRAWN BY	5-6-41	ENGINEERING	7-27-41		2				5
CHECKED BY	7-4-41	LANDSCAPE			3				6



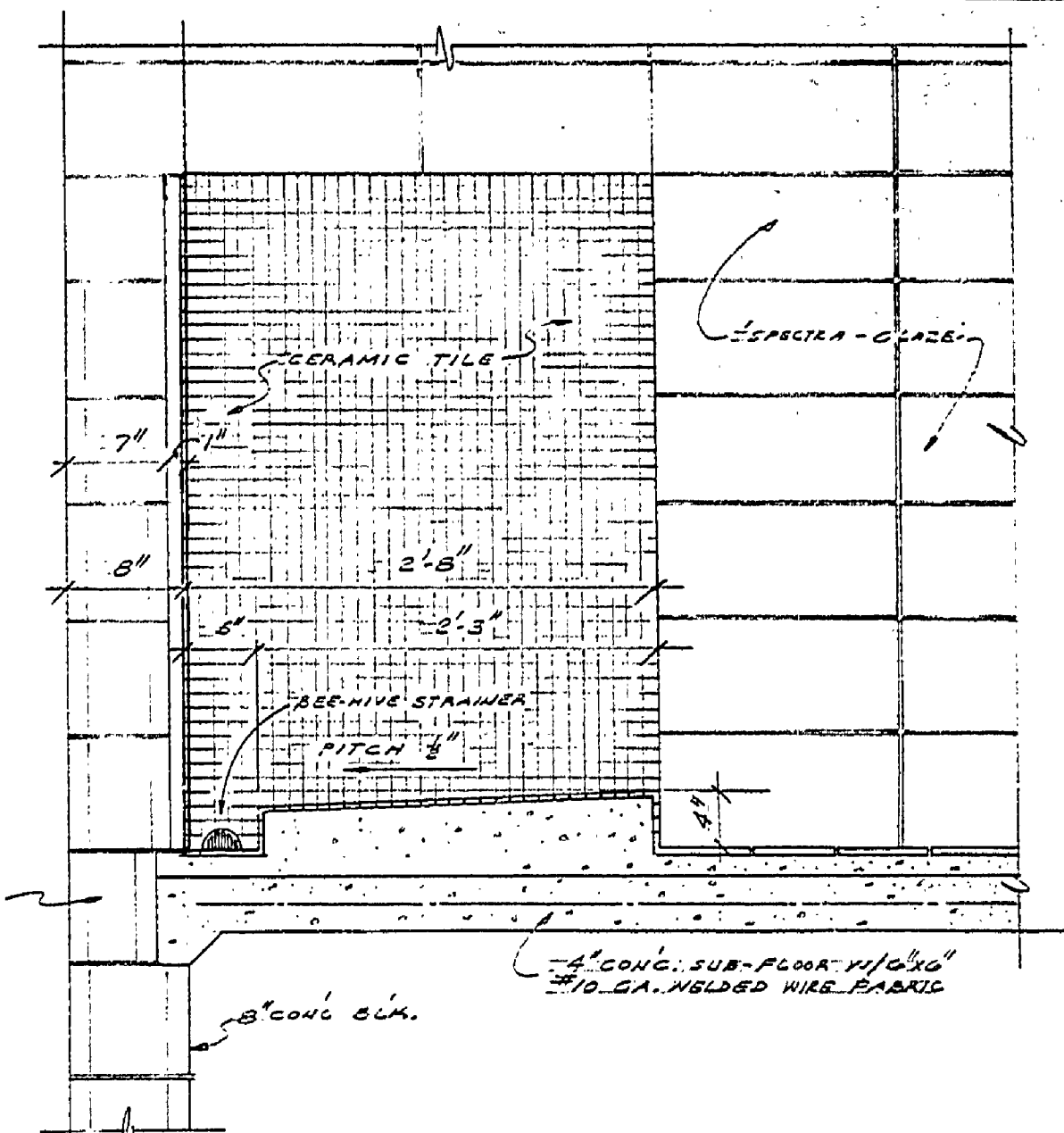
TYPICAL WALL SECTION
SCALE 1/2" = 1'-0"



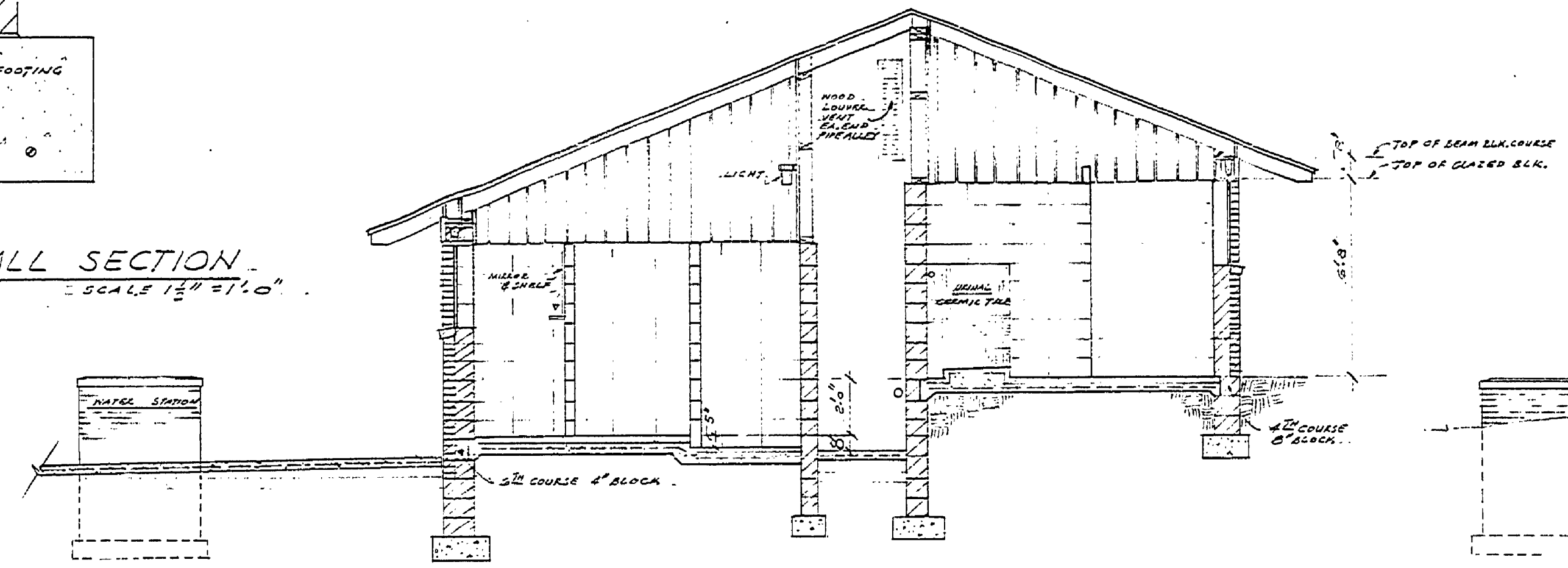
WATER HEATER VENT
SCALE 1/2" = 1'-0"



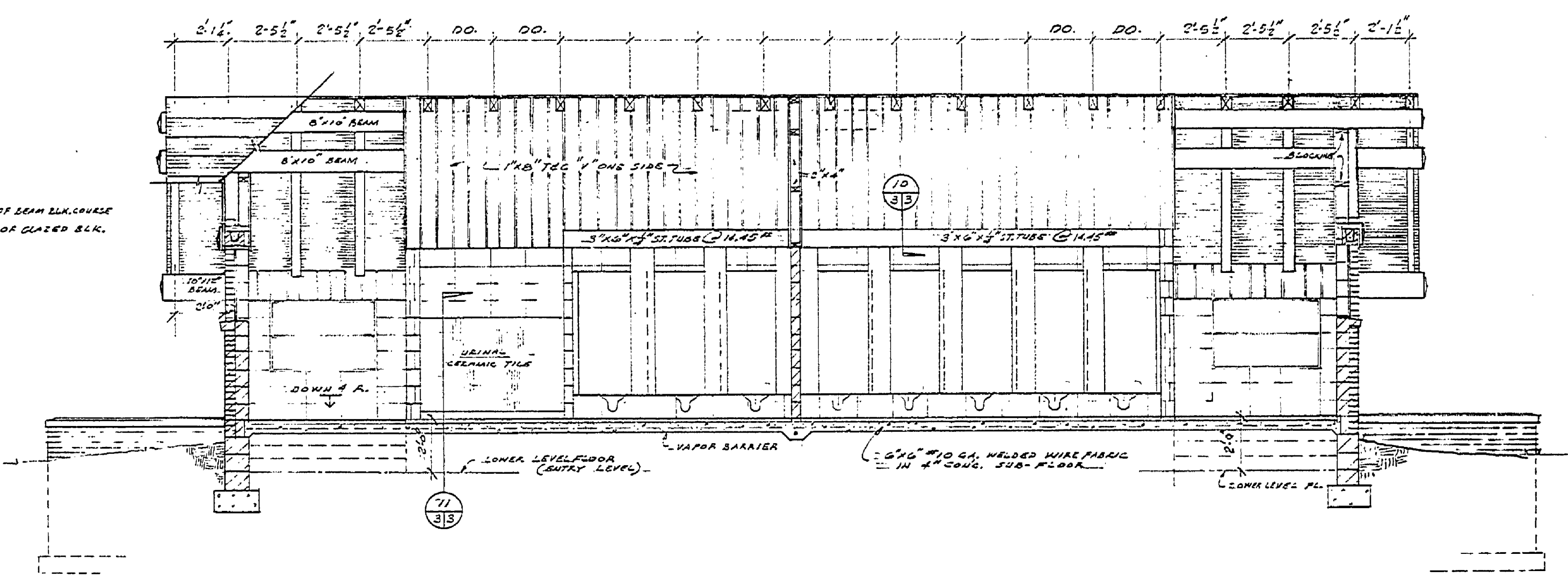
OVERHEAD SUPPT.
TOILET PARTITIONS
SCALE 3/4" = 1'-0"



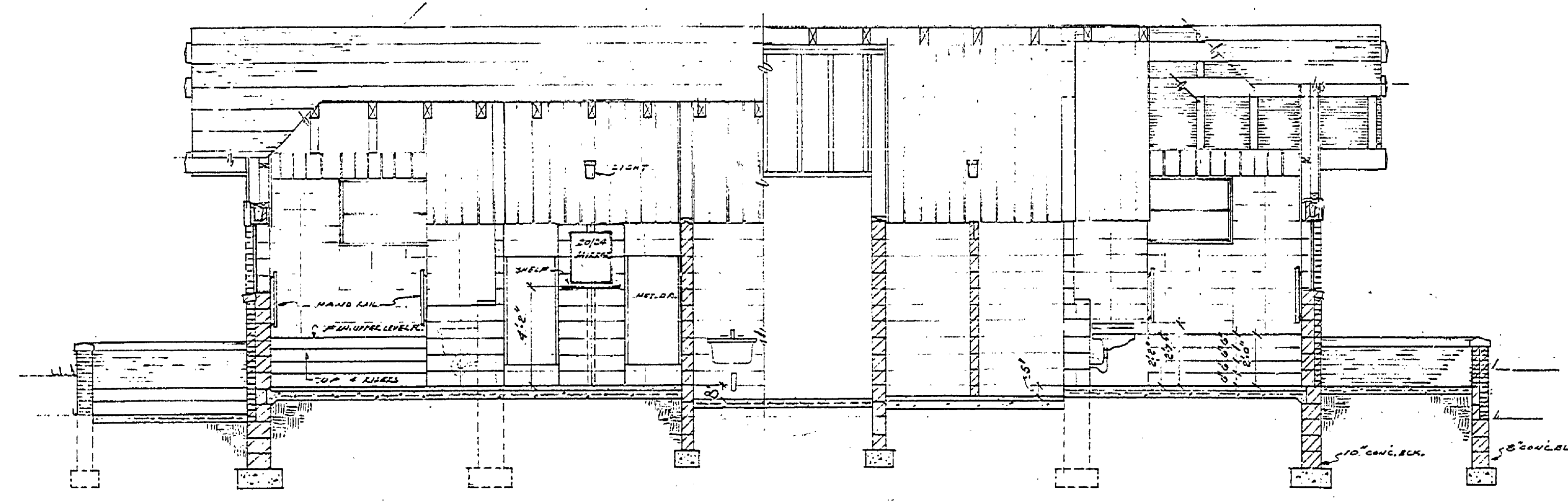
SECTION THRU URINAL
SCALE 1/4" = 1'-0"



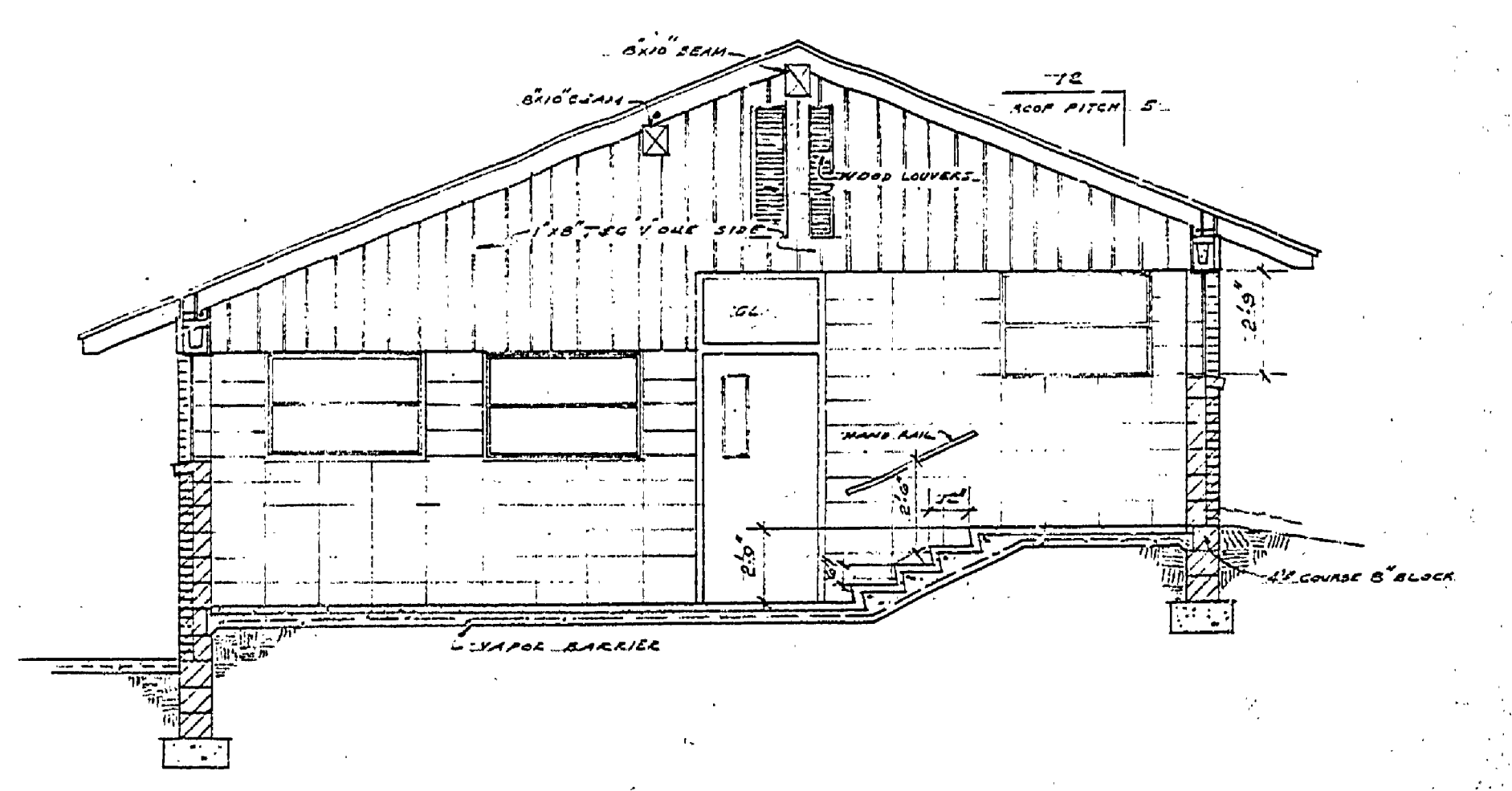
SECTION B-B
SCALE 1/2" = 1'-0"



SECTION D-D
SCALE 1/2" = 1'-0"



SECTION C-C
SCALE 1/2" = 1'-0"



SECTION A-A
SCALE 1/2" = 1'-0"

MICHIGAN
DEPARTMENT OF CONSERVATION
PARKS AND RECREATION DIVISION

LUDINGTON STATE PARK
TOILET & SHOWER BUILDING
NORTH BEECHWOOD CAMPING AREA

SHEET NO. 5 OF 5
PLAN NO. A-107

MASTER PLAN # 62