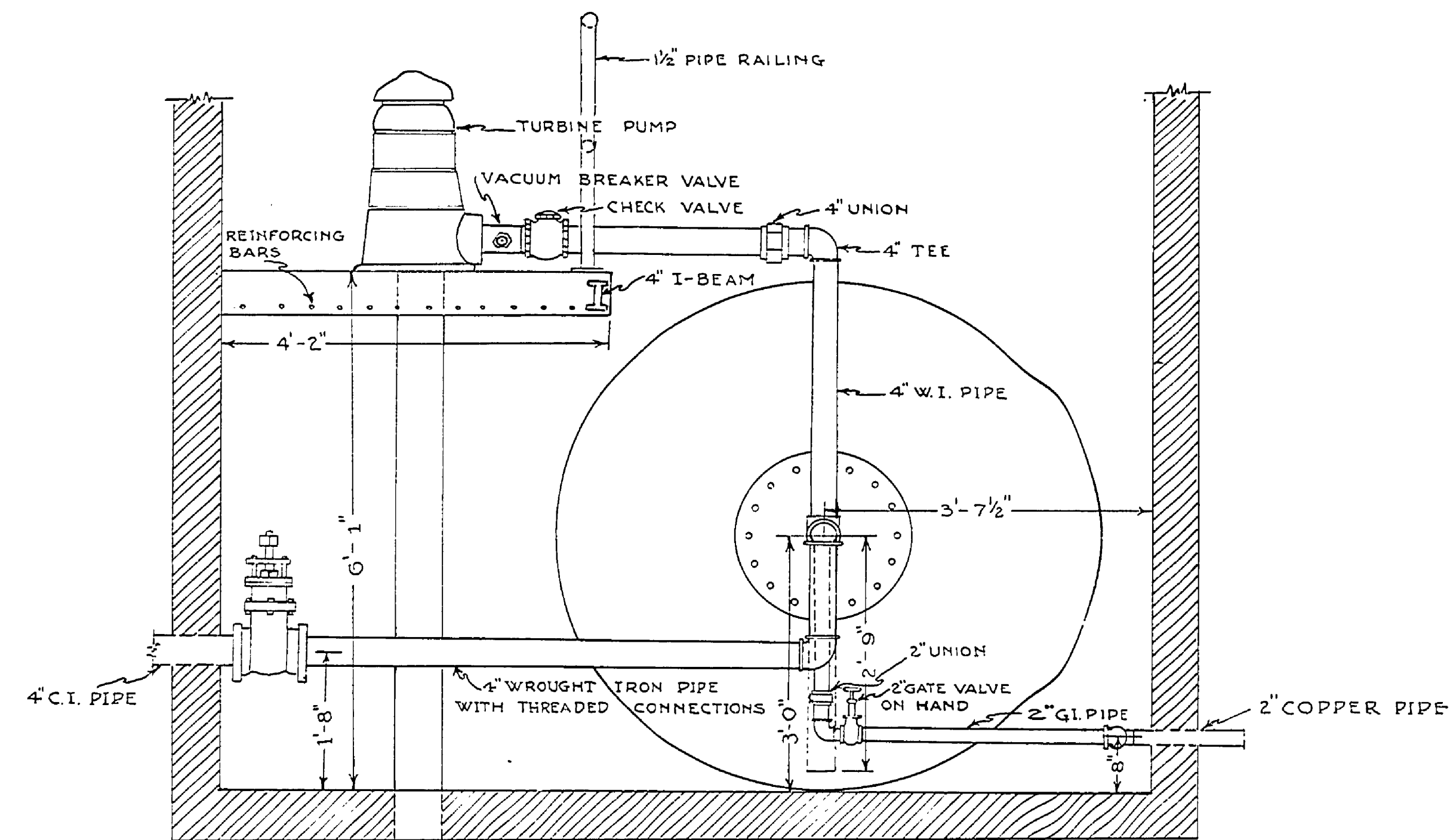


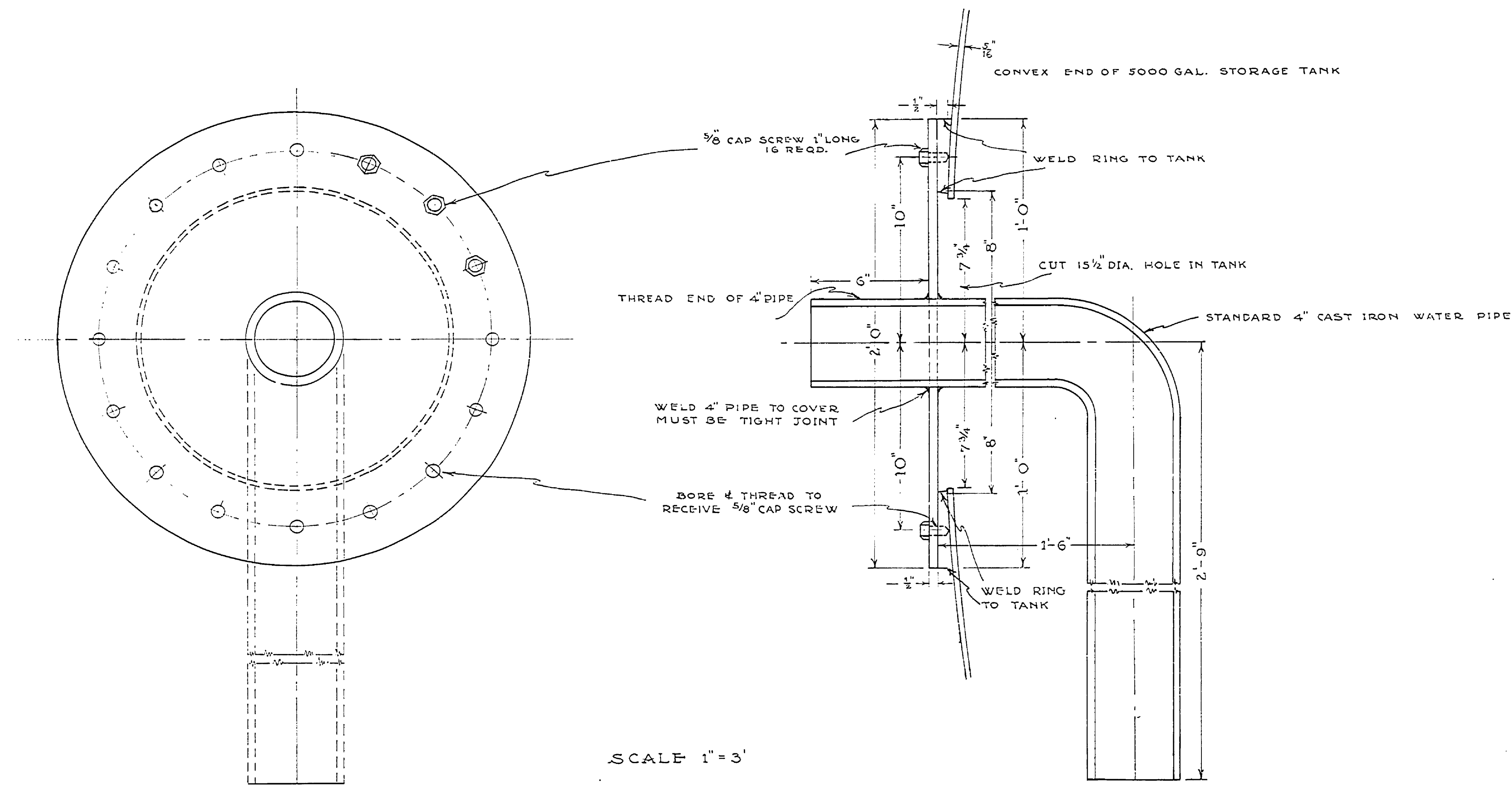
PLAN OF PUMP-HOUSE

NOTE: See Plan No. E-2-A for  
Siping Requirements

SCALE 3/4" = 1'



SECTION A-B



SCALE 1" = 3'

DETAIL OF ALTERATIONS TO BE MADE ON PRESSURE TANK

DEPARTMENT OF THE INTERIOR NATIONAL PARK SERVICE And MICHIGAN DEPARTMENT OF CONSERVATION CO-OPERATING				30-11
BRANCH OF PLANNING		STATE PARK DIVISION		
SYMBOL <input checked="" type="checkbox"/>	LUDINGTON STATE PARK			SHEET NO.
NUMBER 146	WELLS, INCL. PUMPS & PUMP HOUSES			FILE NO.
DRAWN BY S. Fox				
CHECKED	PROJECT SUPERINTENDENT	DESIGNED	C. Mitchell	
DATE		DATE	7/24/25	
RECOMMENDED FOR CONSTRUCTION	FIFTH REGIONAL INSPECTOR	SUBMITTED		
DATE		DATE	SUP'T. OF STATE PARKS	
APPROVED FOR CONSTRUCTION	FIFTH REGIONAL OFFICER N.P.S.	APPROVED	MICH. CONSERVATION COMM'N.	
DATE		DATE		

52 E