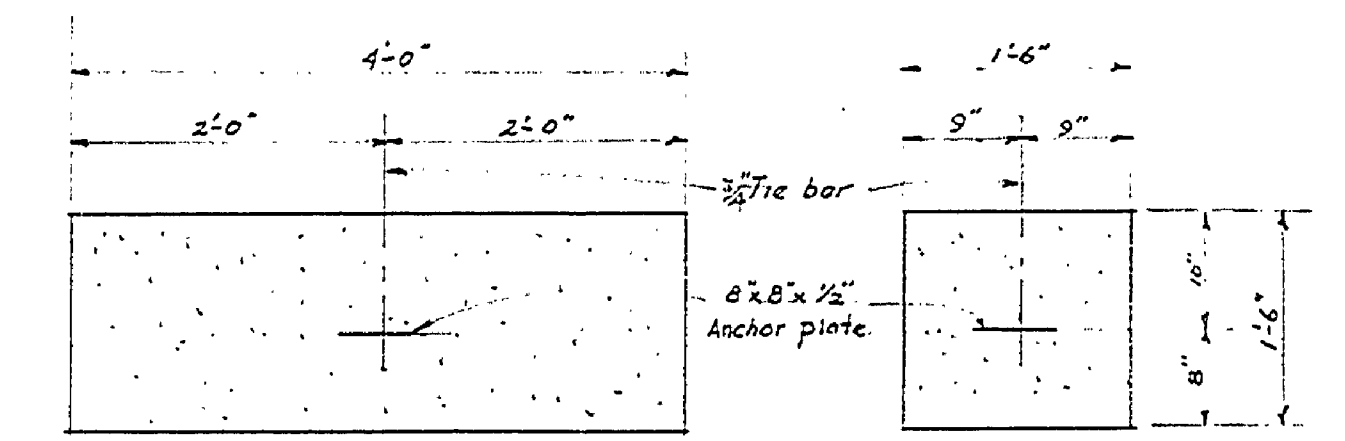
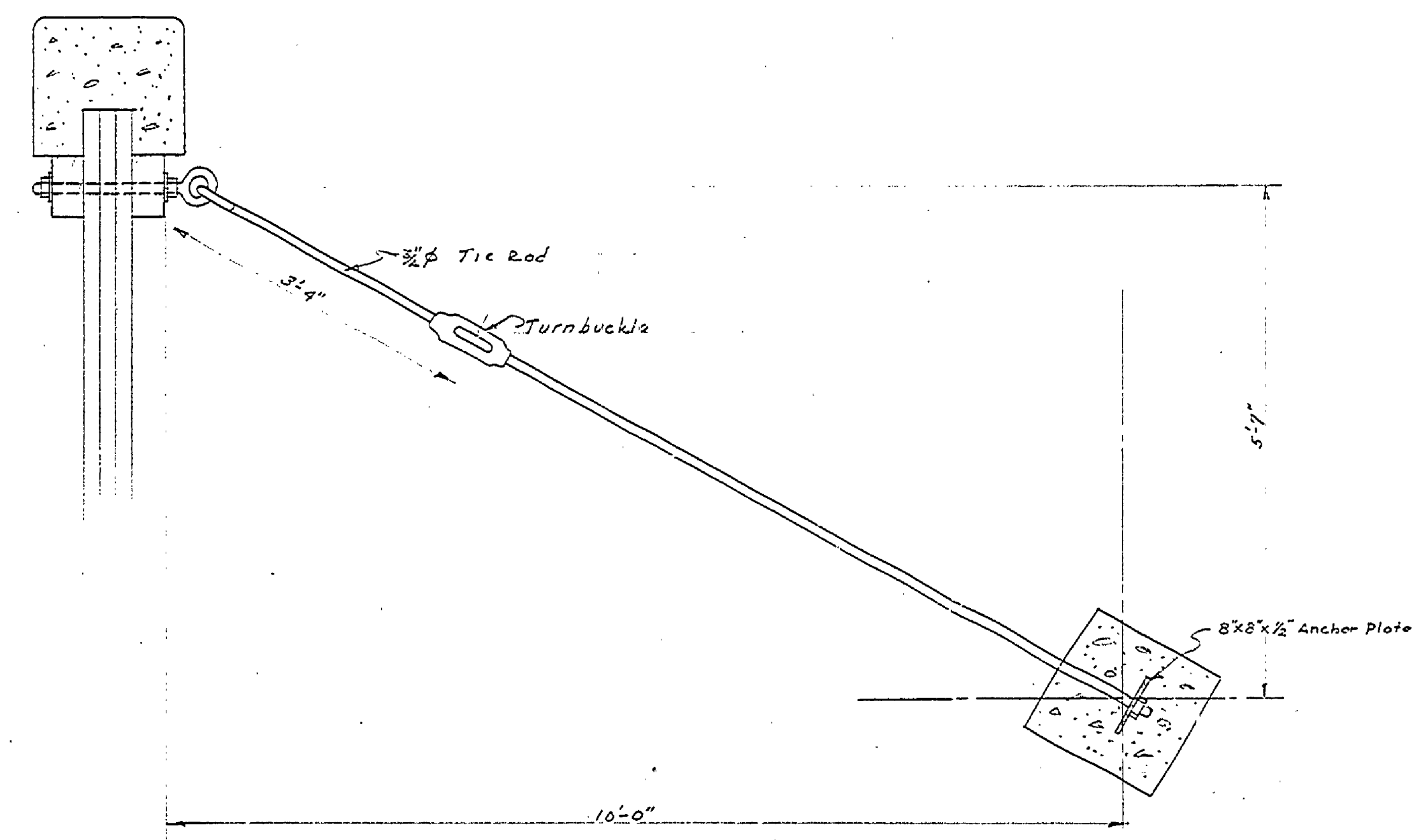
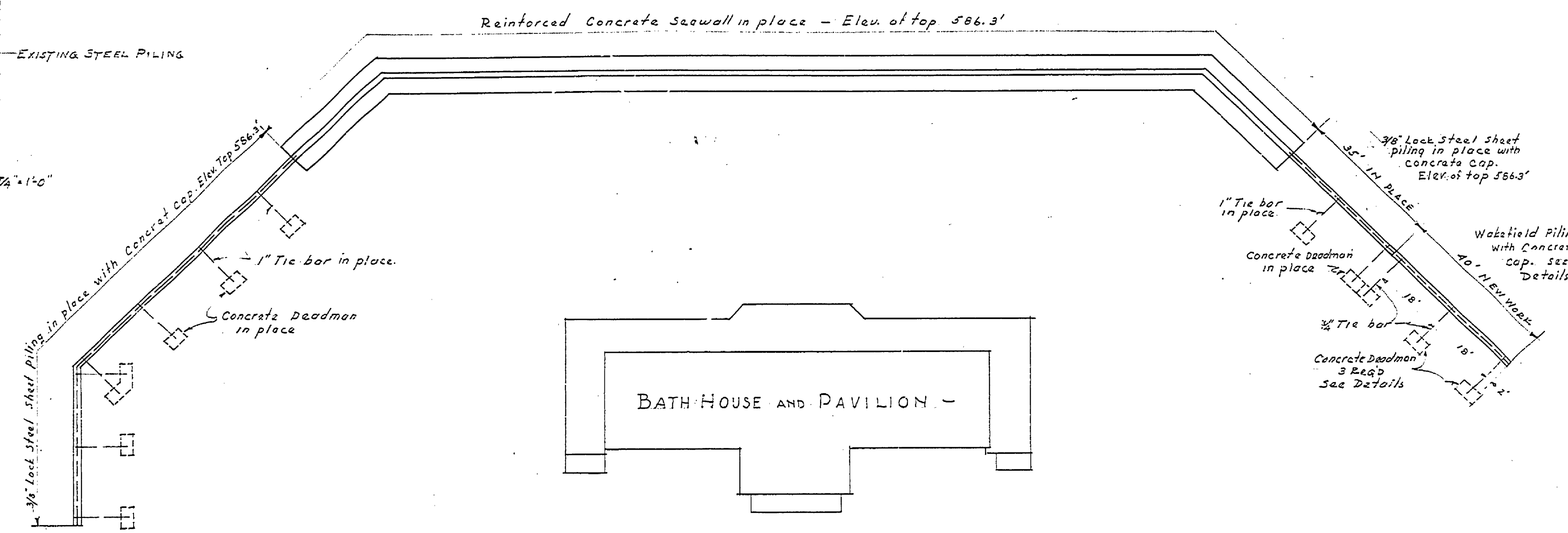
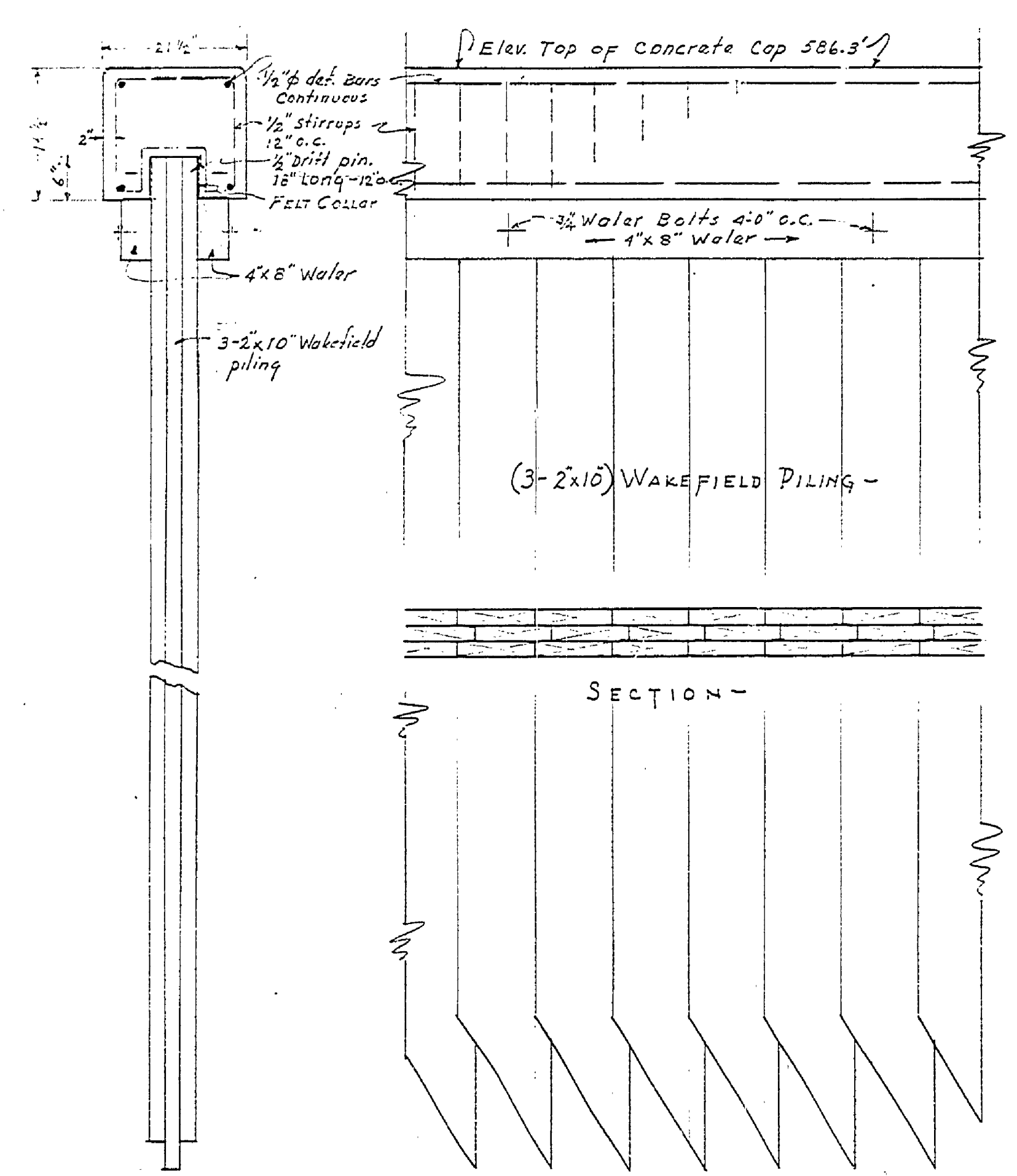
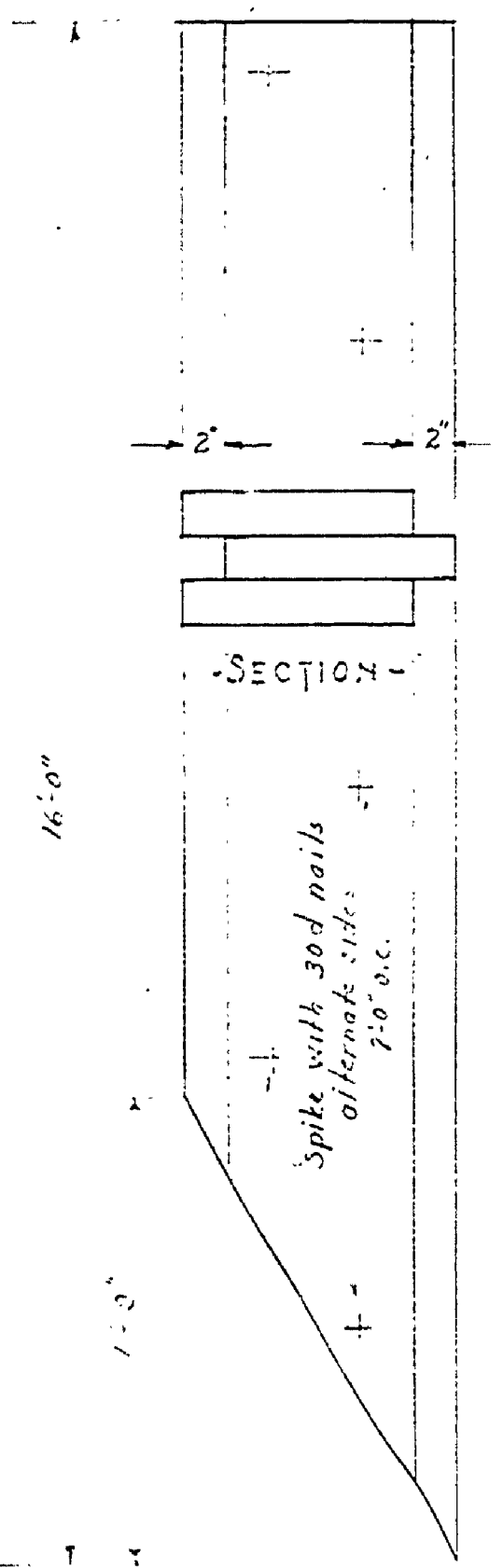
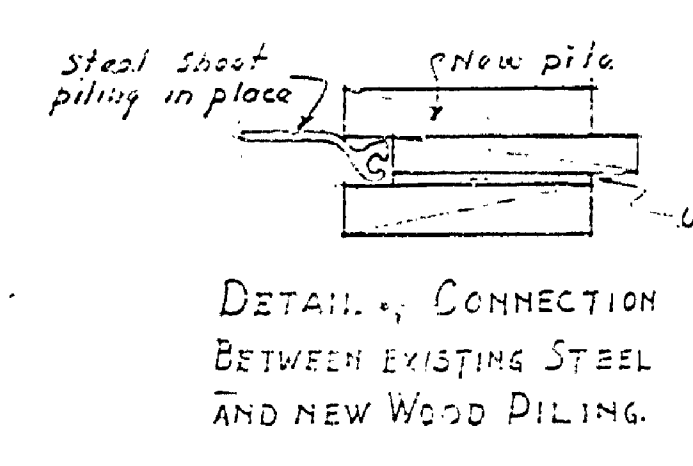
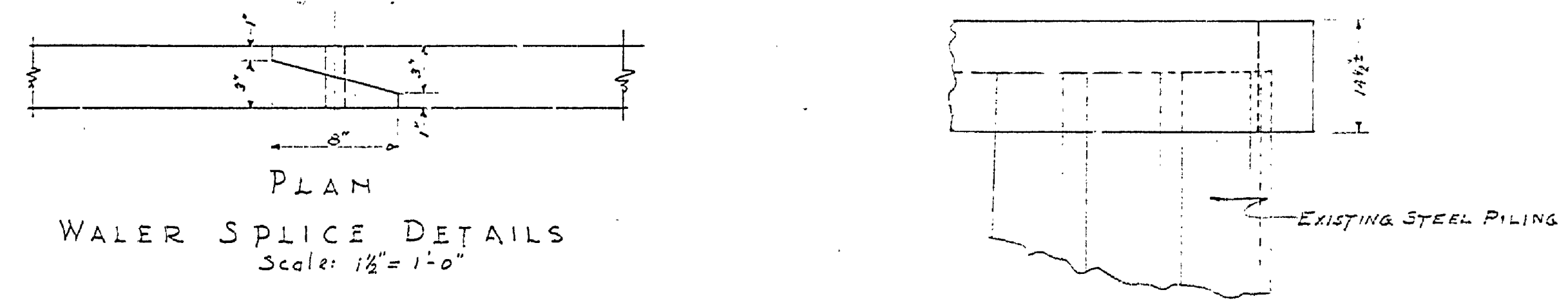
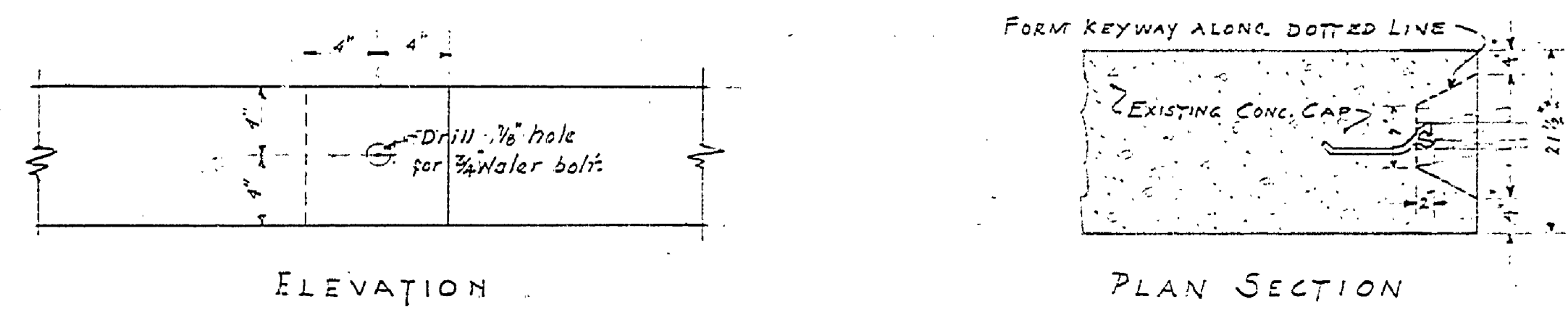



LAKE MICHIGAN



MICHIGAN DEPARTMENT OF CONSERVATION STATE PARKS DIVISION		 PLAN 89 SCALE: AS INDICATED DATE: 4 AUG 43
DESIGNED BY: LUDINGTON STATE PARK	U.C.M.	
DRAWN BY: U.C.M.	CHECKED BY: U.C.M.	PREPARED AND APPROVED BY: <i>W. W. Mangum</i> ACT. CHIEF OF STATE PARKS
ADDITION TO WATER CONTROL STRUCTURE		DATE: 10/1/43
APPROVED BY:		DATE: