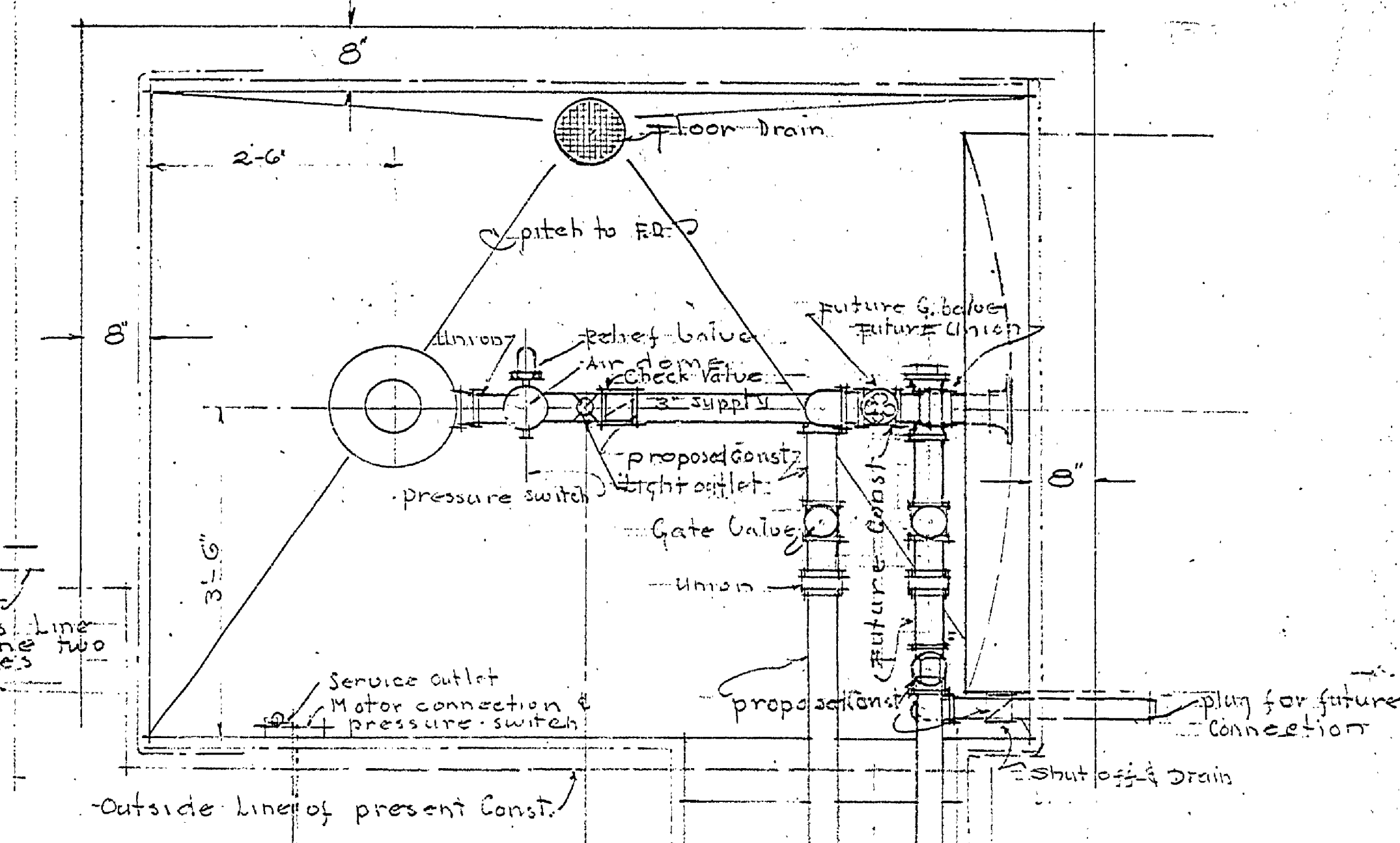
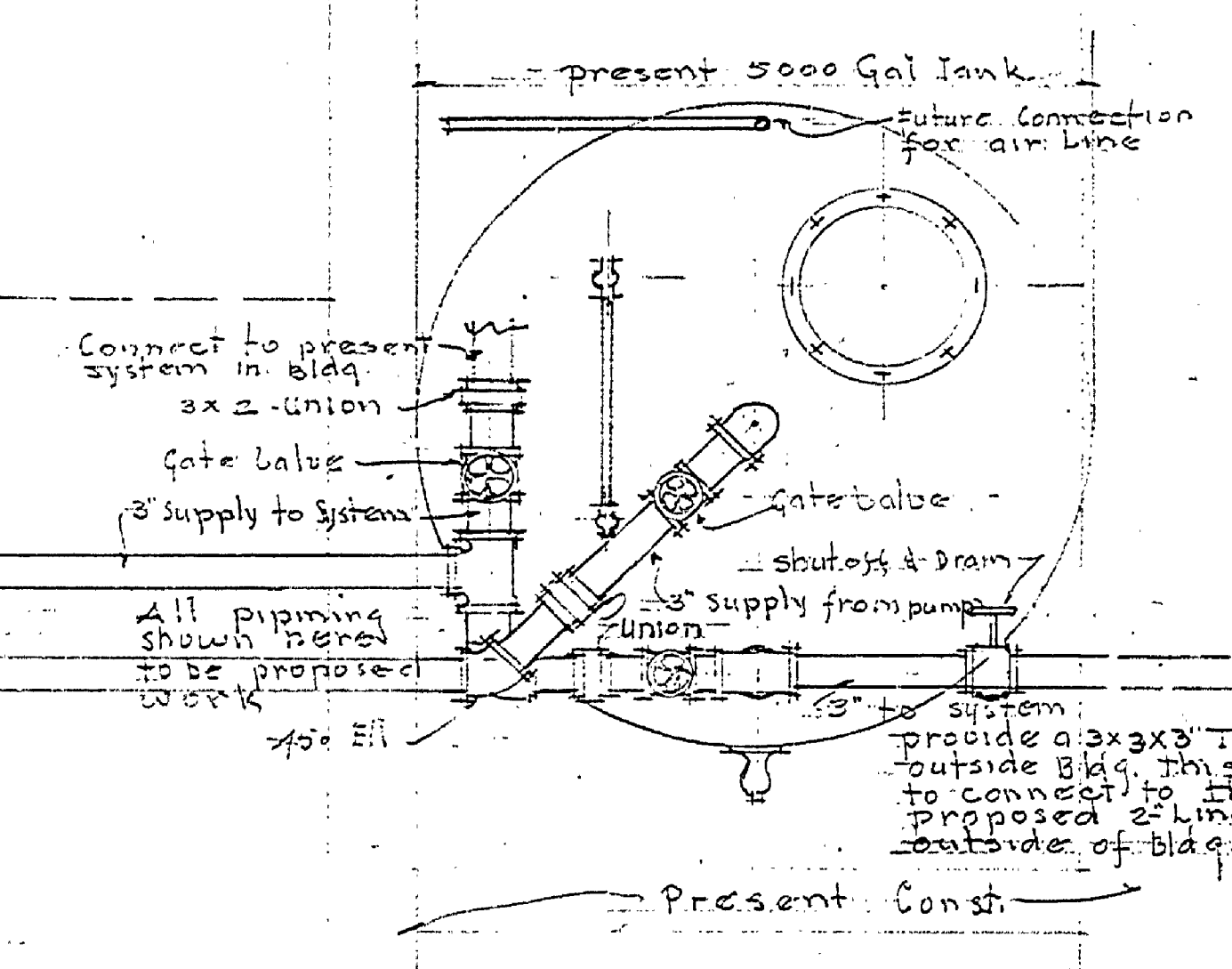
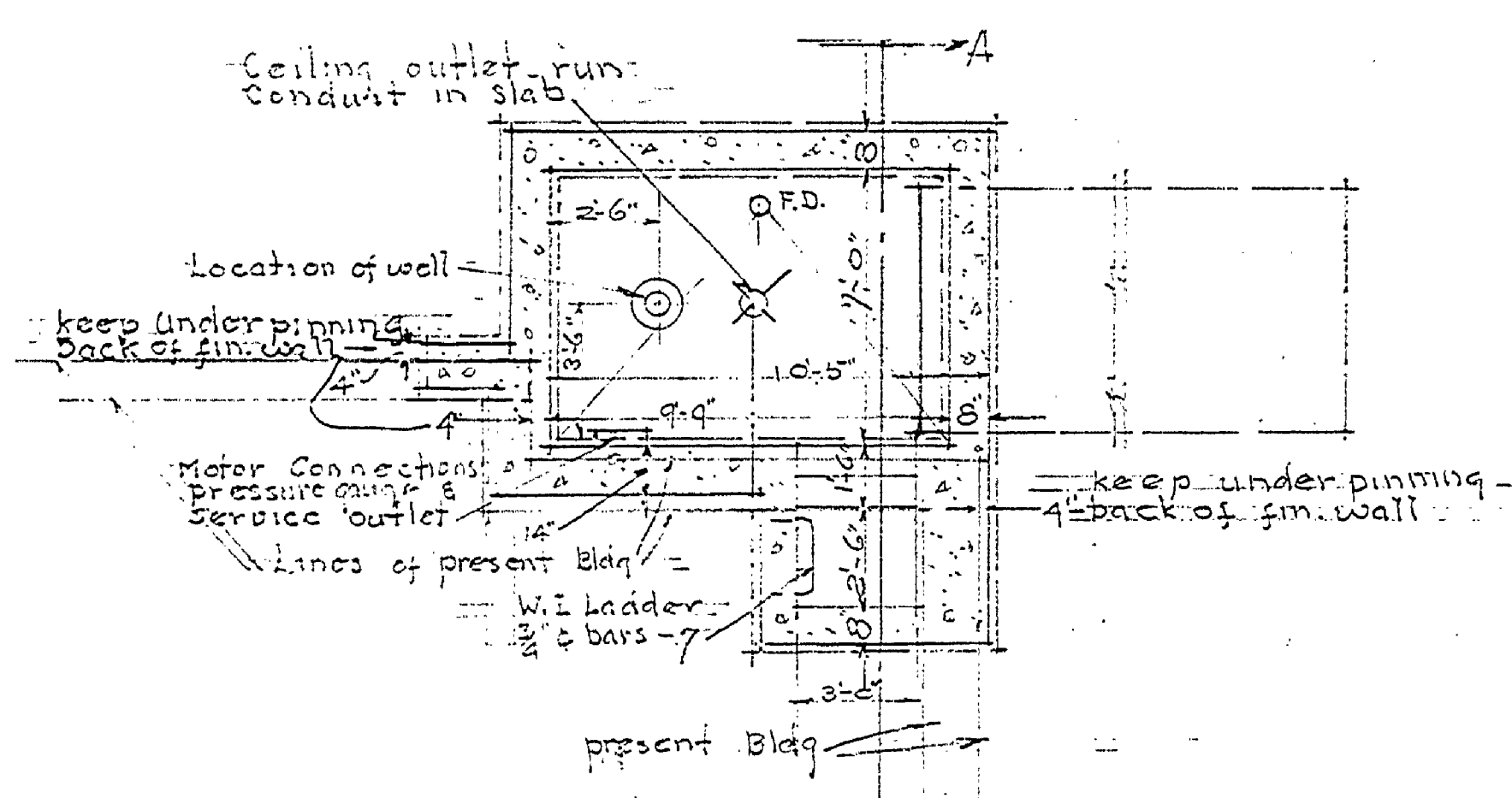


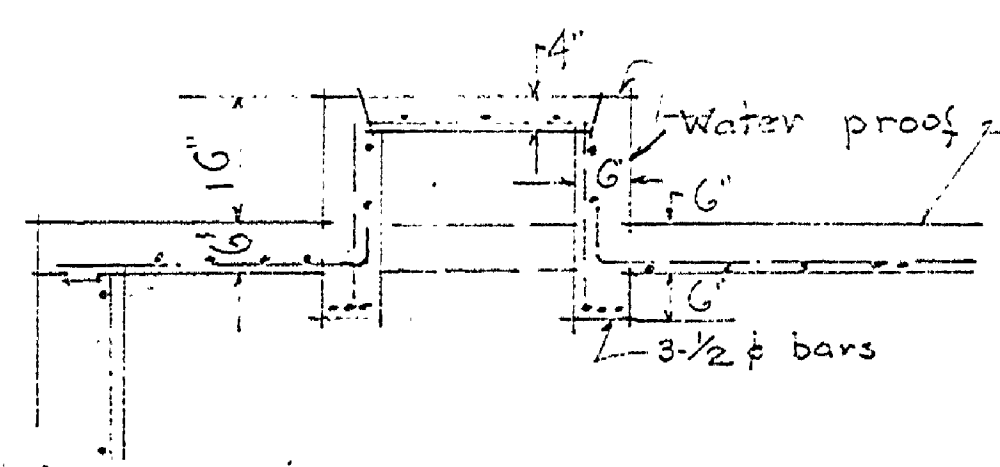
SECTION A-A  
SCALE 3/4" = 1'-0"



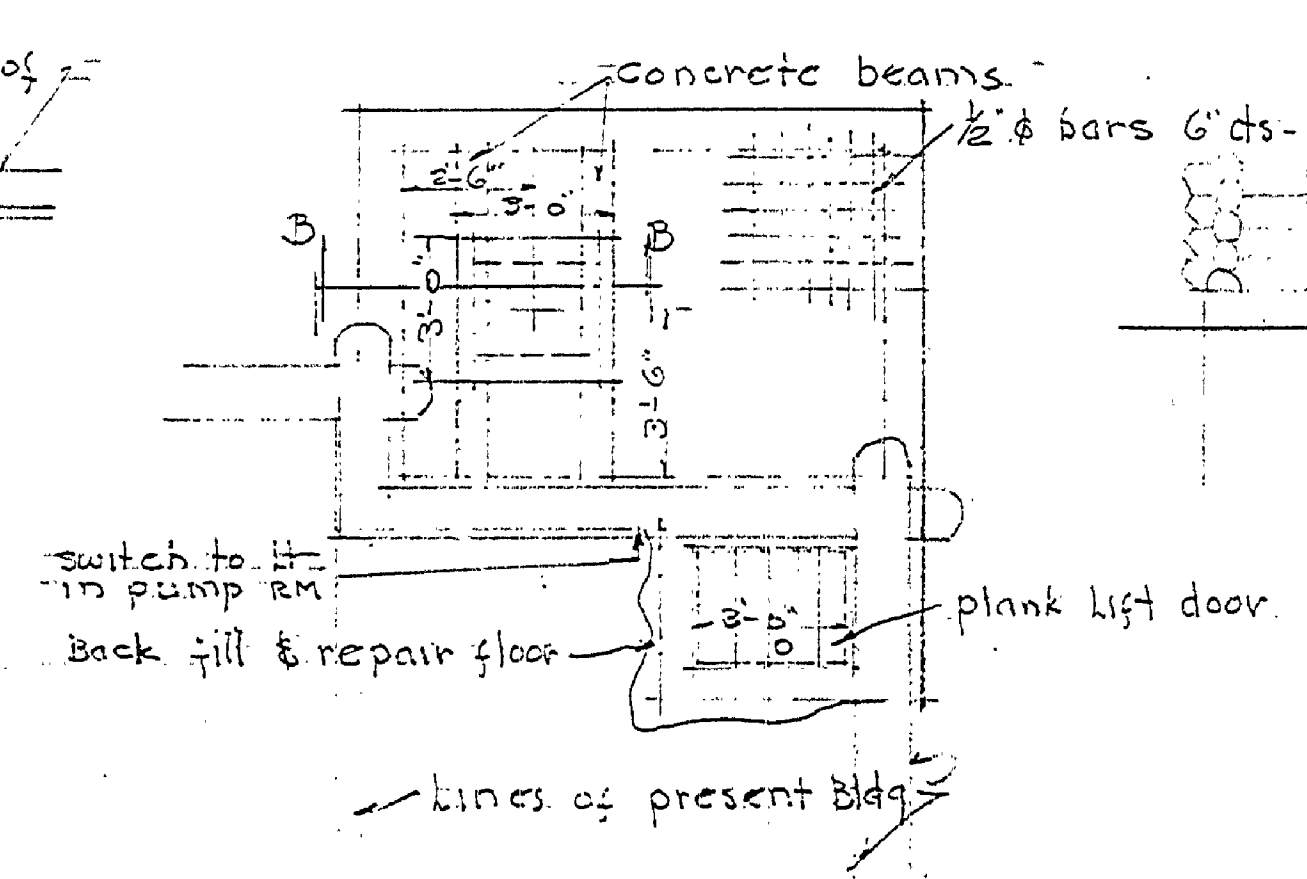
PLAN of PUMP ROOM  
SCALE 3/4" = 1'-0"



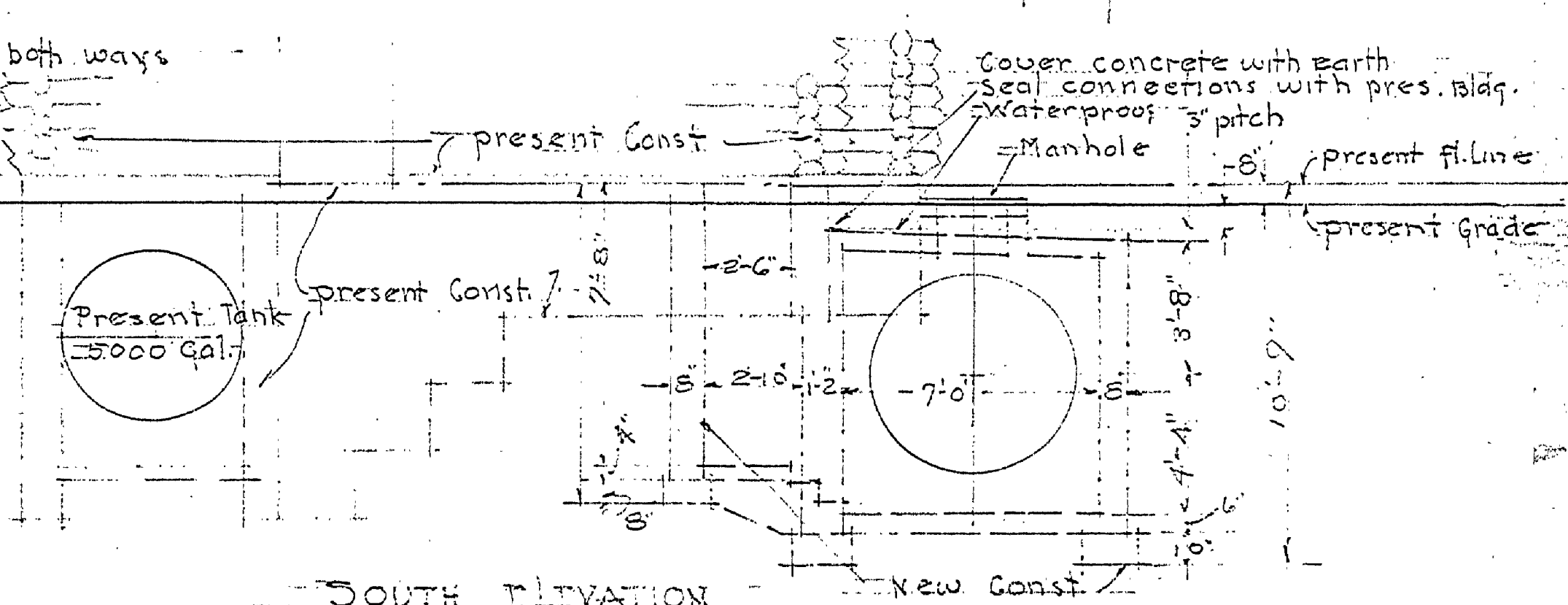
FOUNDATION PLAN  
SCALE 3/4" = 1'-0"



SECTION B-B



PLAN AT GRADE  
SCALE 3/4" = 1'-0"



SOUTH ELEVATION  
SCALE 3/4" = 1'-0"

UNITED STATES DEPARTMENT OF THE INTERIOR NATIONAL PARK SERVICE COOPERATING WITH MICHIGAN DEPARTMENT OF CONSERVATION		3 - 1 - 11
DRAWN BY G.P.H.	DESIGNED BY G.P.H.	
CHECKED BY	DATE	DATE 5/3/36
PREPARED BY	STATE PARK AUTHORITY	DATE
RECOMMENDED	REGIONAL OFFICER	DATE
APPROVED	REGIONAL OFFICER	DATE