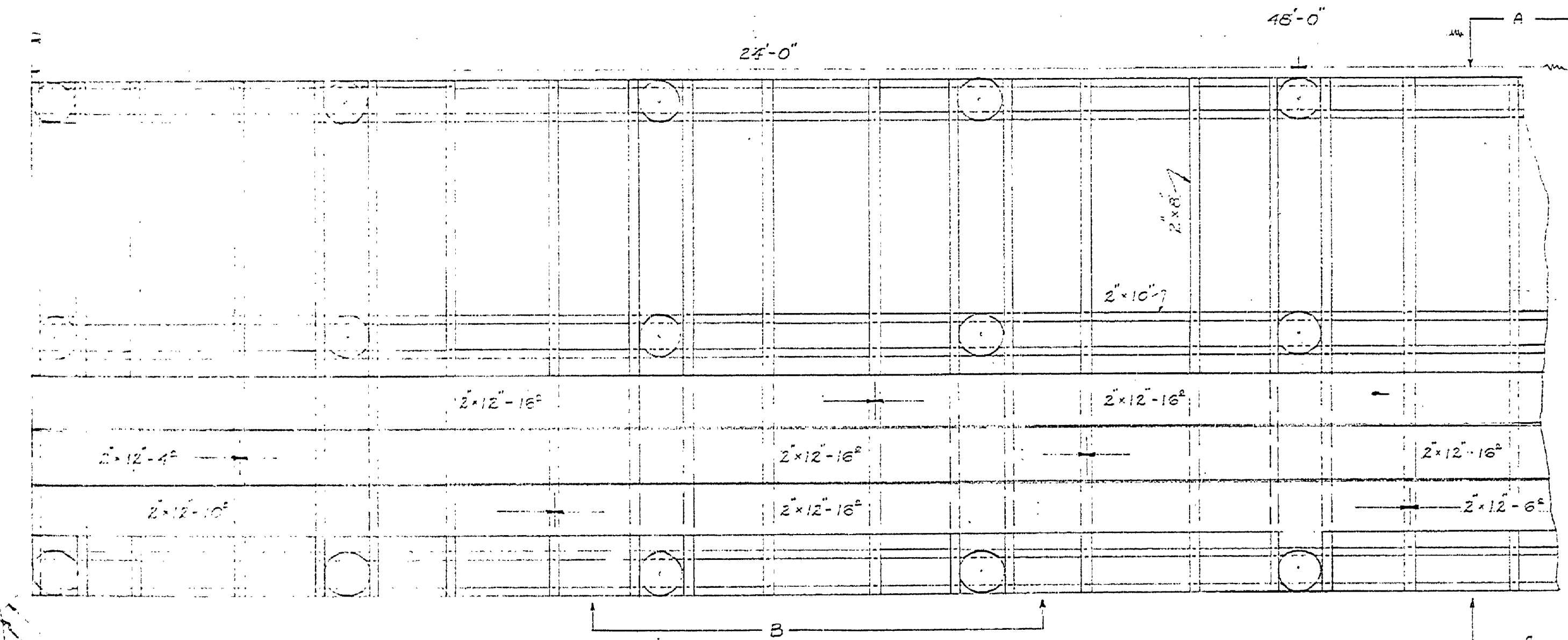
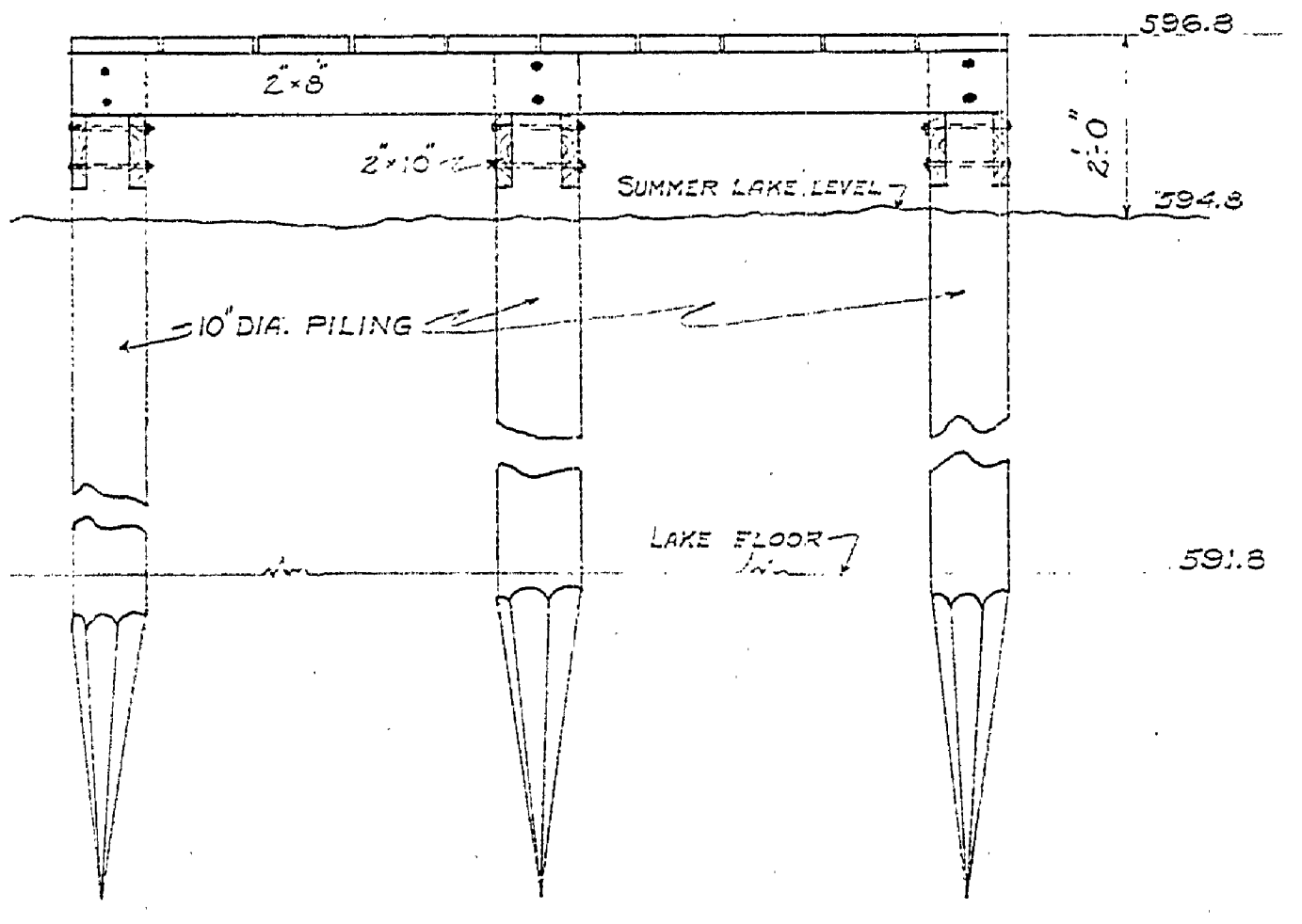


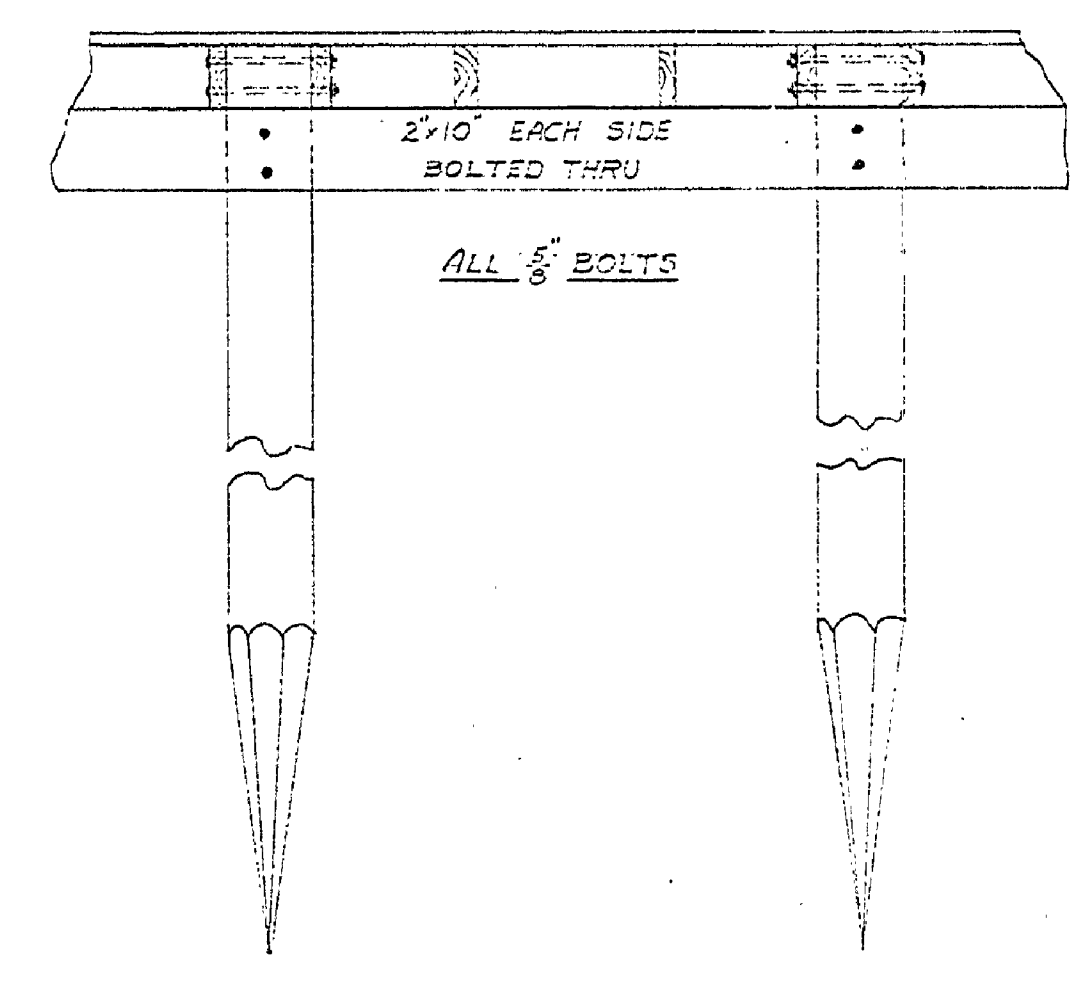
PLOT PLAN
SCALE: 1" = 30'



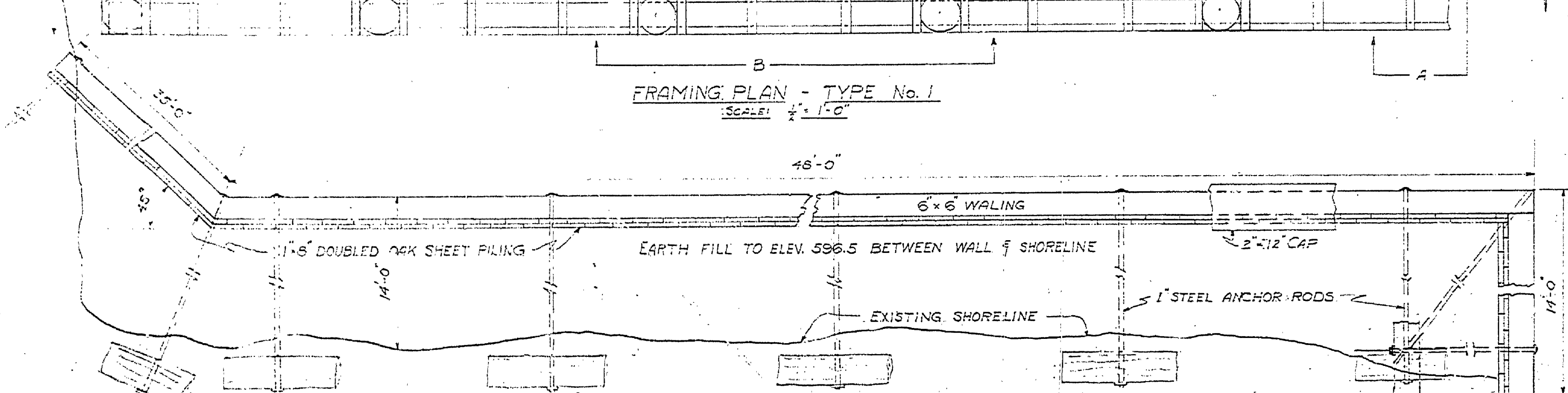
FRAMING PLAN - TYPE No. 1
SCALE: 1/4" = 1'-0"



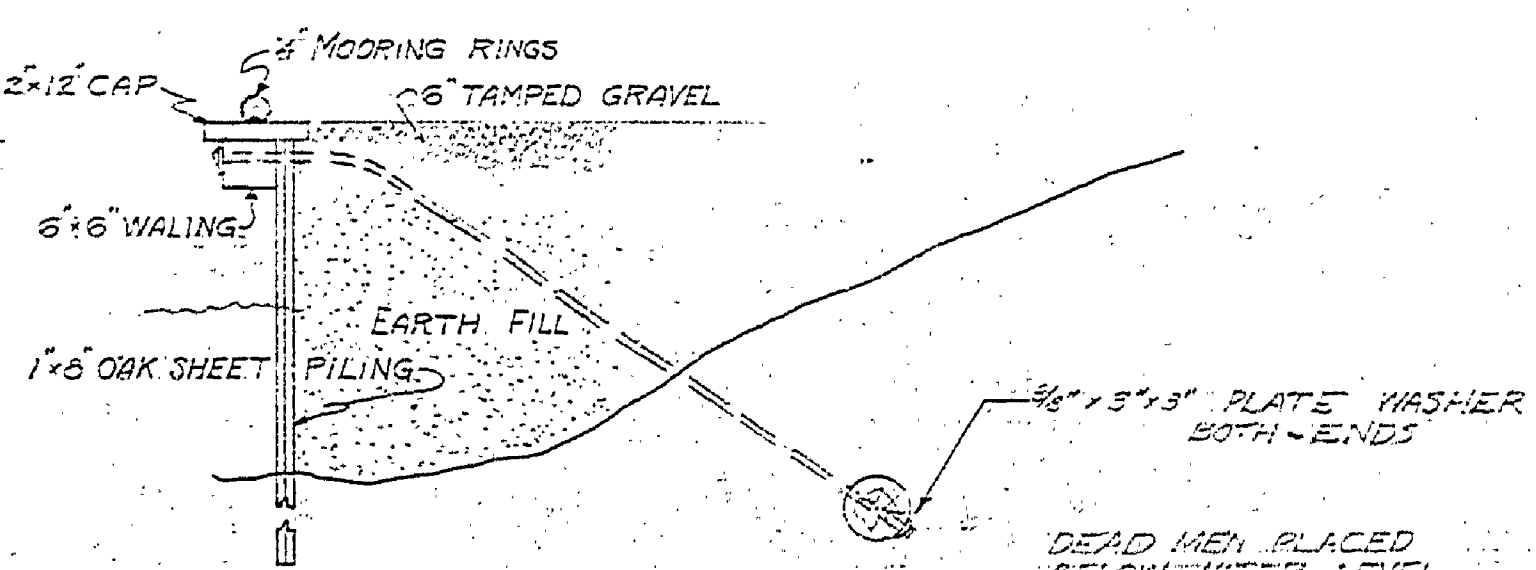
SECTION A
SCALE: 1/4" = 1'-0"



SECTION B
SCALE: 1/4" = 1'-0"



PLAN - TYPE No. 2
SCALE: 1/4" = 1'-0"



NOTE: TIMBERS WITH EXHIBITION OF DEAD MEN TO BE PRESERVED AND TREATED WITH CROSCOTE.

MICHIGAN
DEPARTMENT OF CONSERVATION
UNITED STATES
DEPARTMENT OF THE INTERIOR
NATIONAL PARK SERVICE
COOPERATING

LUDINGTON STATE PARK SP-2
LANDING DOCK
GROUP CAMP AREA

GRAPHIC SCALE

DRAWN BY: R.G.M. - K.	DATE: 8-2-30
DESIGNED BY: R.G.M.	
CHECKED BY: R.G.M.	
CHECKED AND APPROVED BY: <i>[Signature]</i>	DATE: 8-1-30
APPROVED:	