

REVISIONS	NO.	DATE	BY
	1		
	2		
	3		
	4		
	5		
	6		

REVIEWED BY SECTIONS	DATE	APPROVED BY
ARCHITECTURAL	6-30-52	J.I.R.
ENGINEERING	6-30-52	H.C.M.
LANDSCAPE	6-30-52	J.I.R.

DESIGNED BY	DATE
J.I.R.	6-30-52

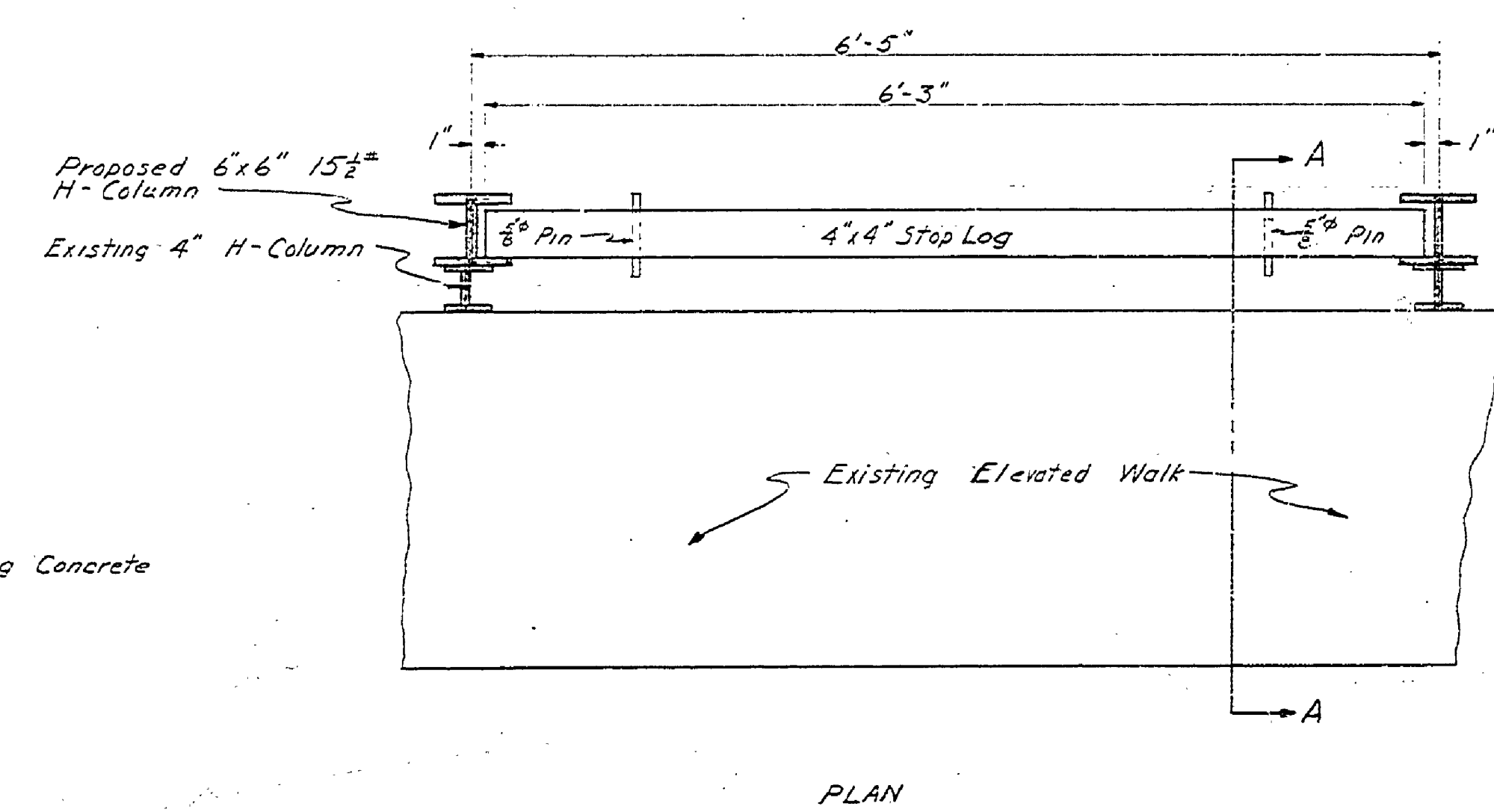
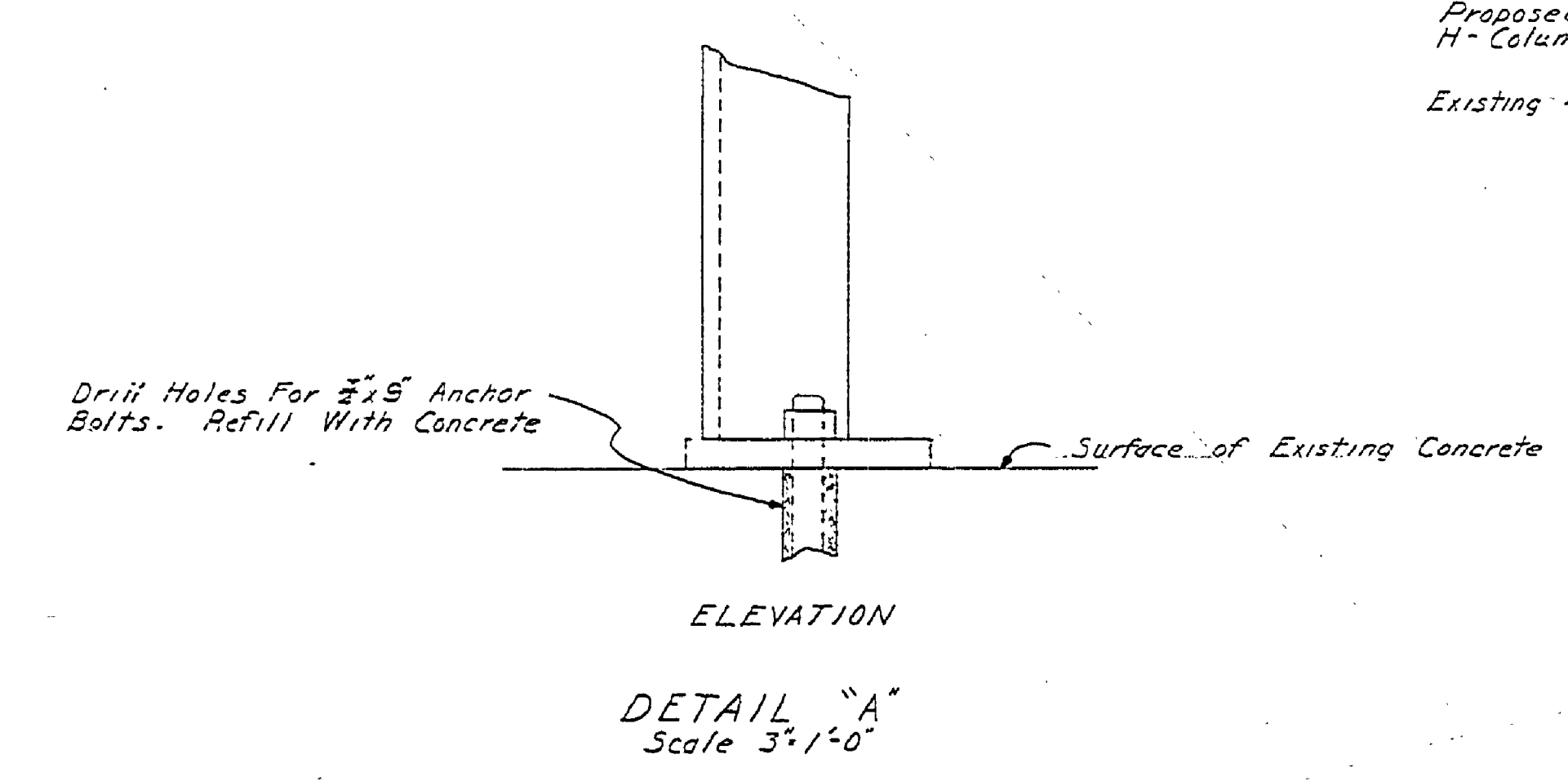
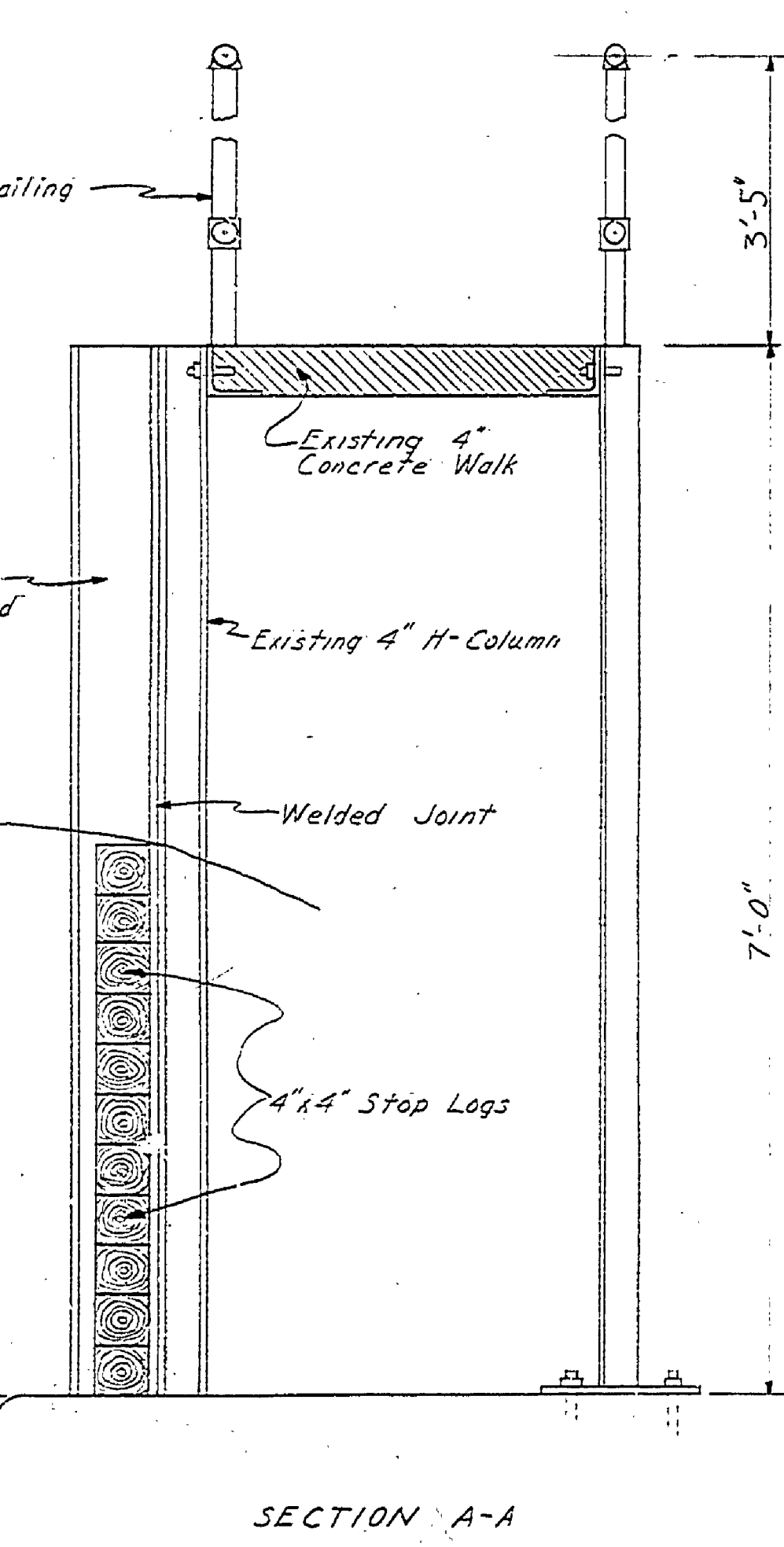
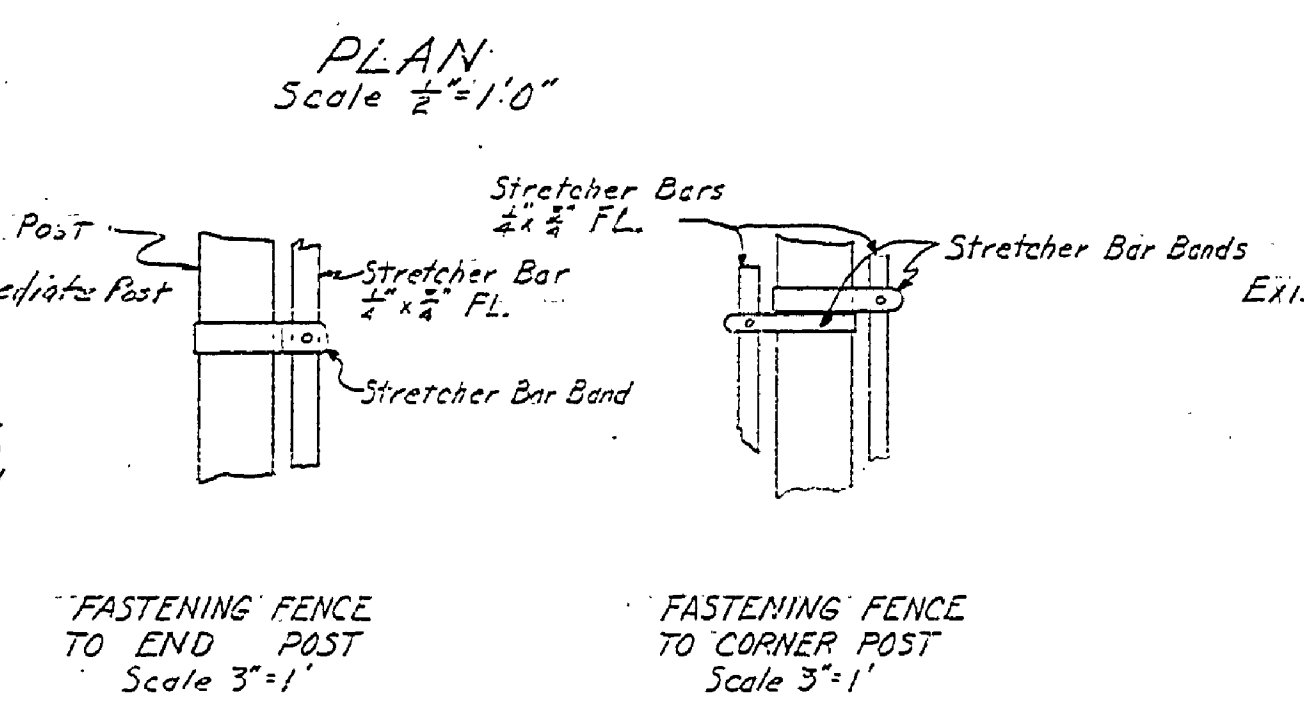
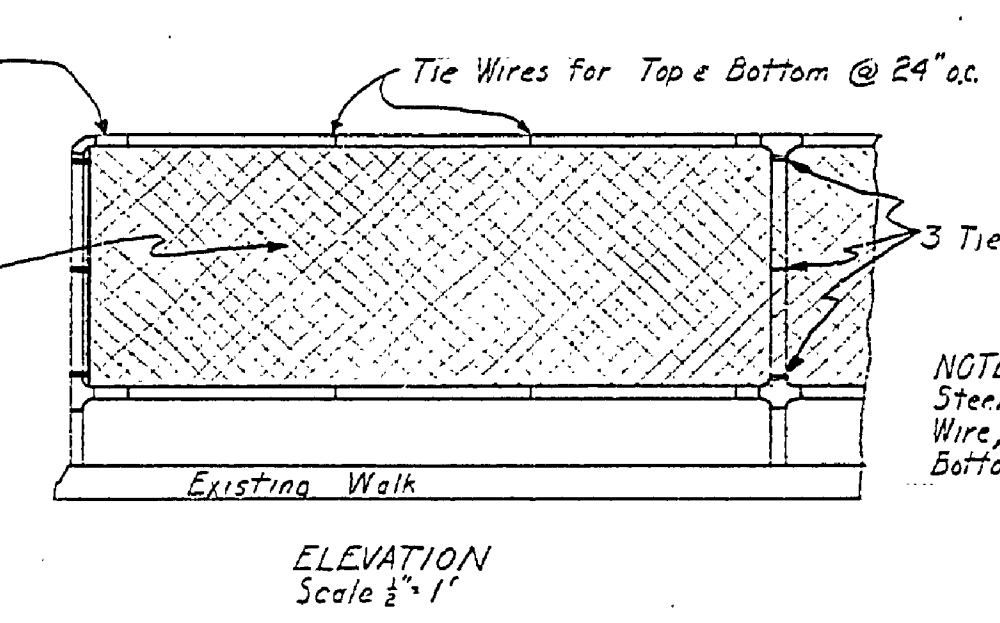
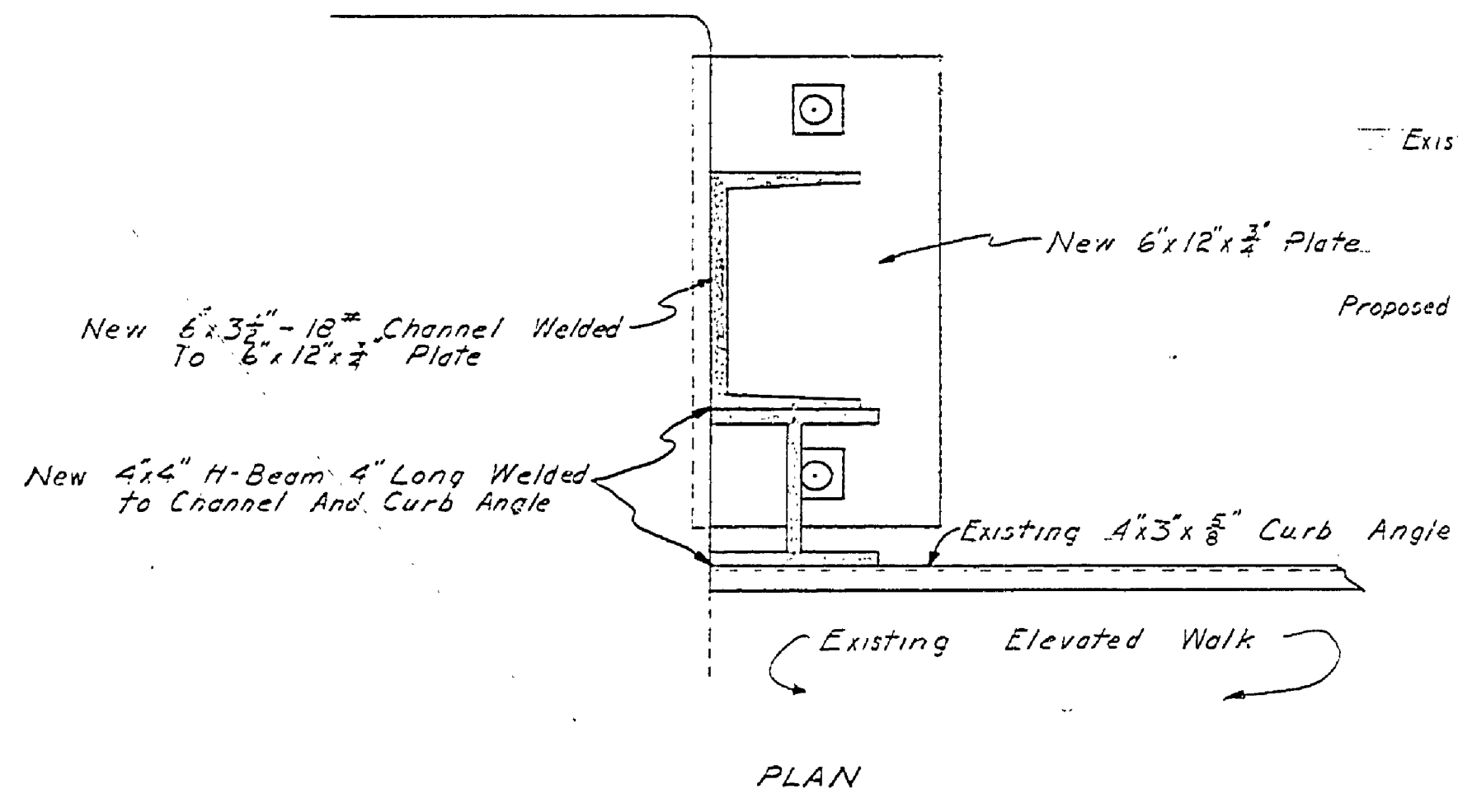
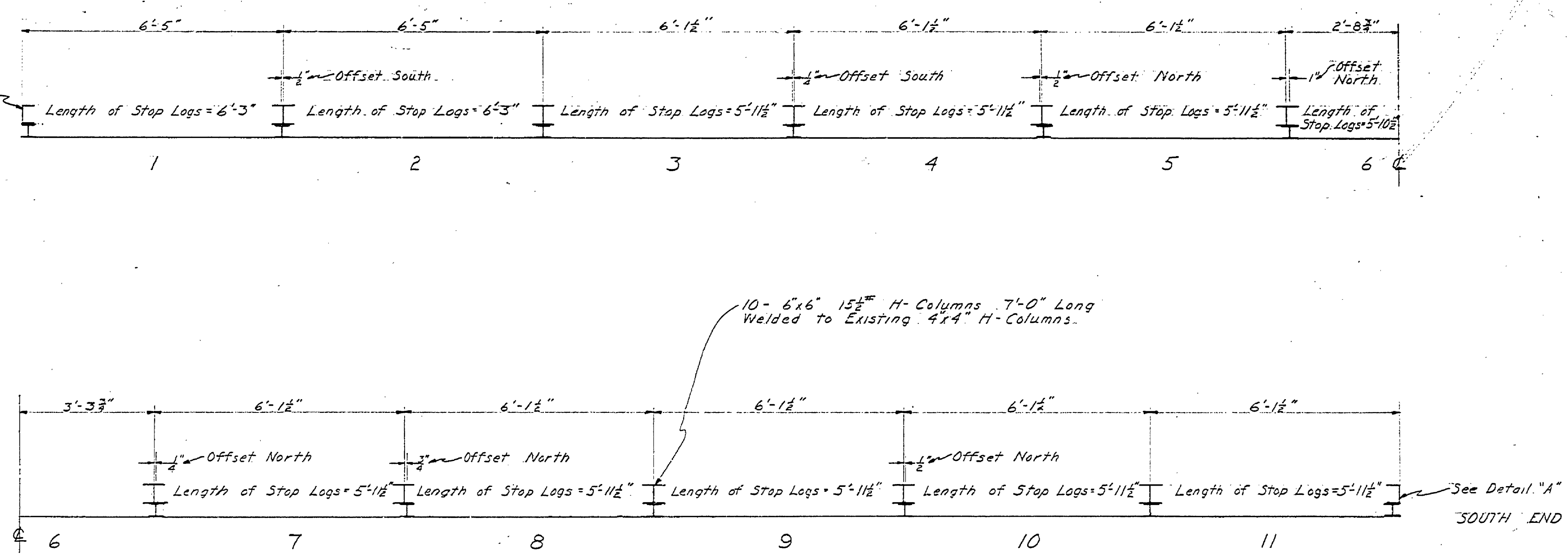
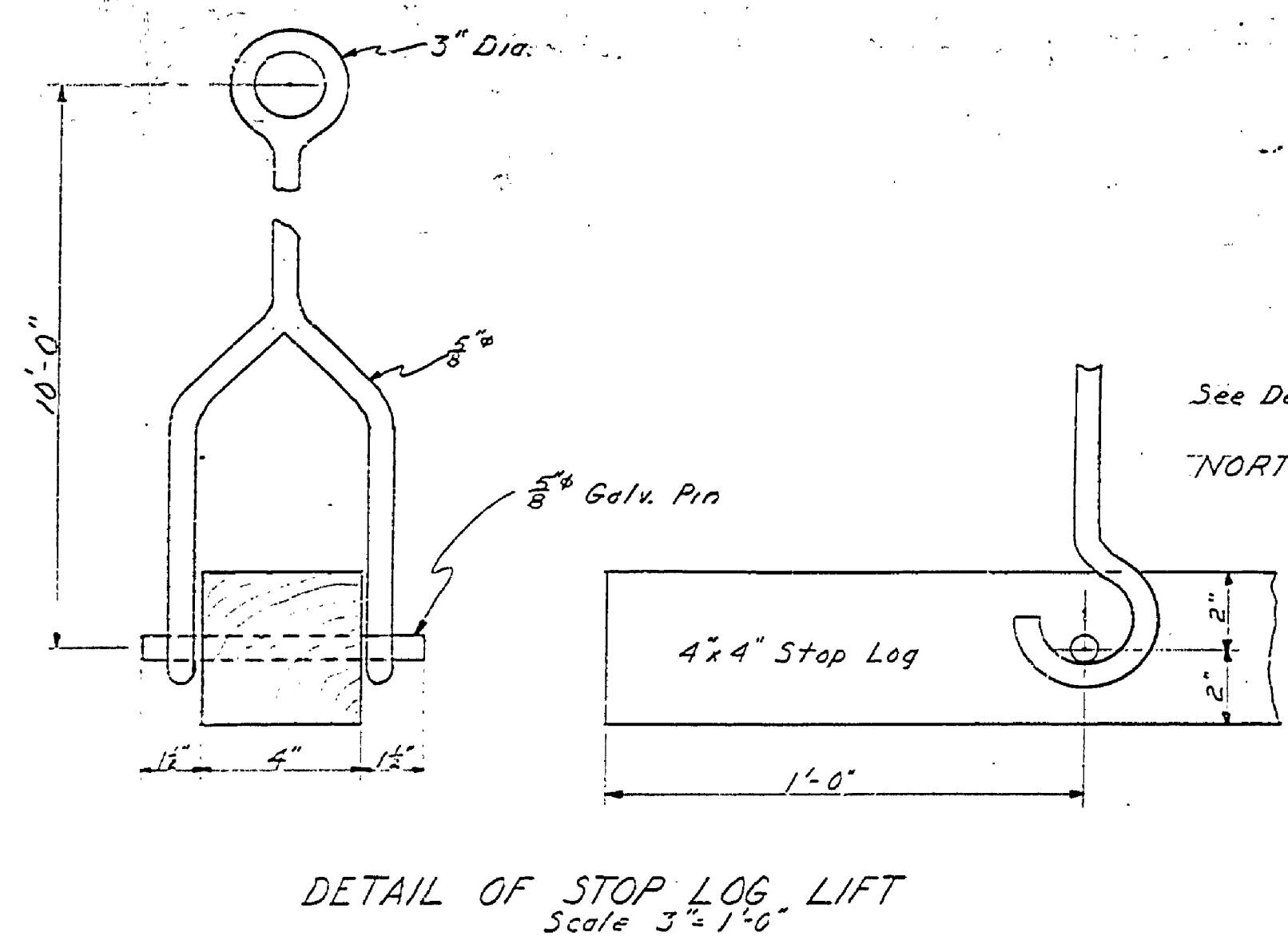
ASSISTANT CHIEF IN CHARGE	DATE
J.I.R.	6-30-52

DATE	BY
18 June 1952	B.H.G.

DATE	BY



STOP LOG DETAIL PANEL NO. 2  
Scale 1"=1'-0"

MICHIGAN DEPARTMENT OF CONSERVATION PARKS AND RECREATION DIVISION

LUDINGTON STATE PARK REPAIRS TO DAM Scale As Shown

SHEET NO. 1 OF 1 PLAN NO. E-116