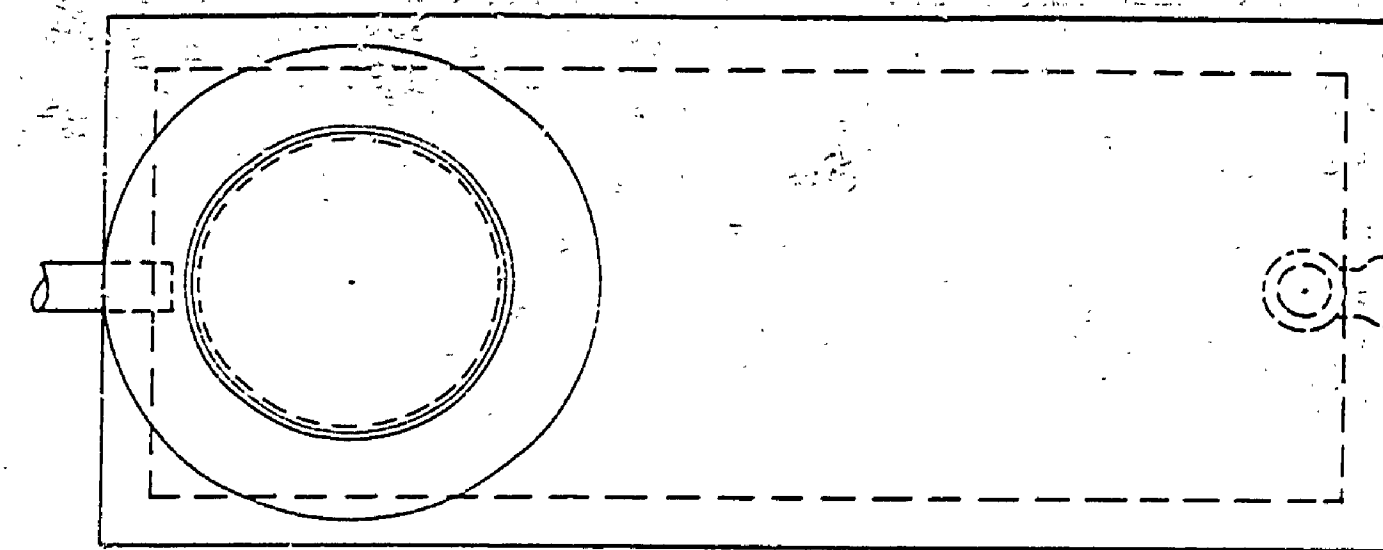
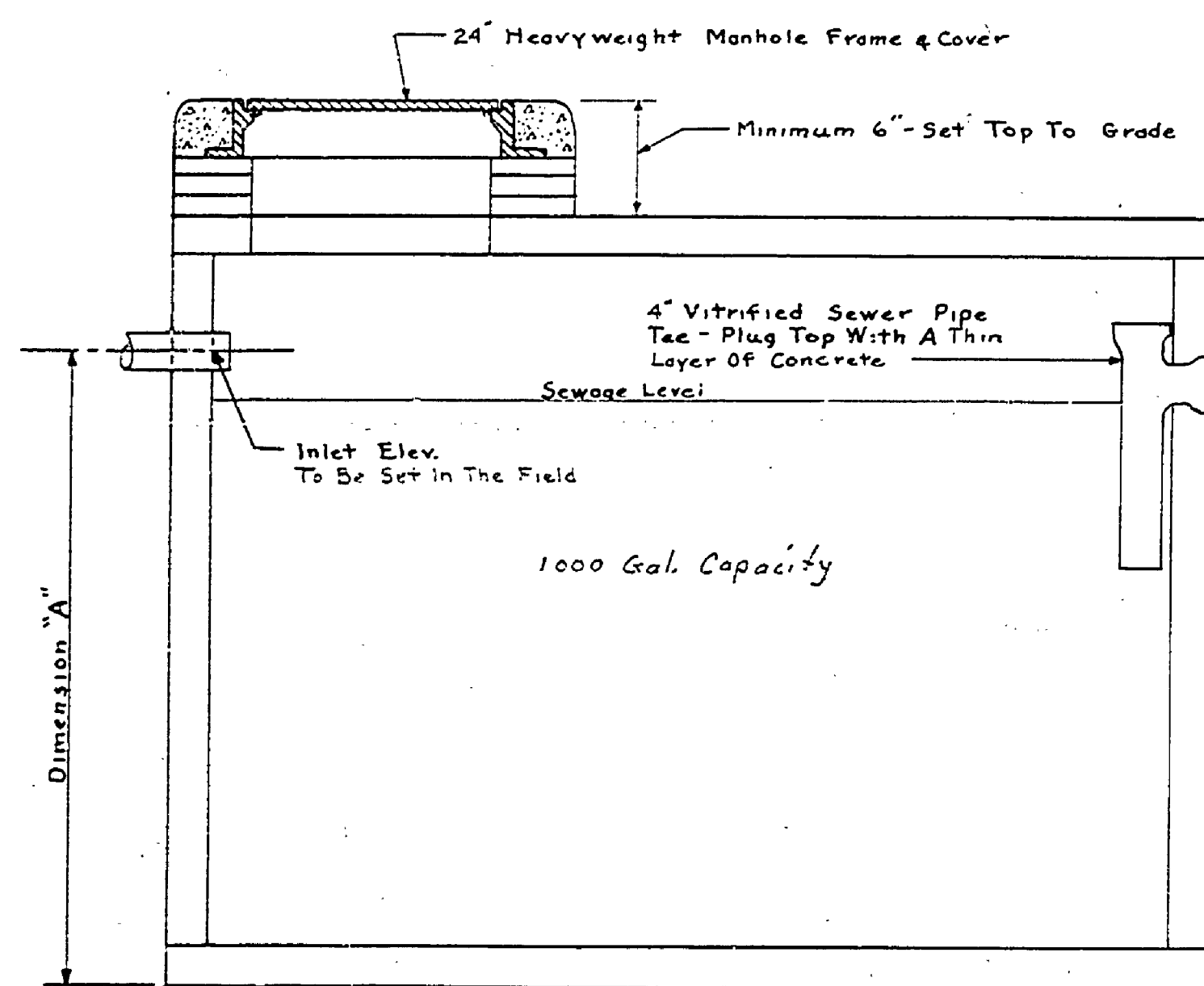


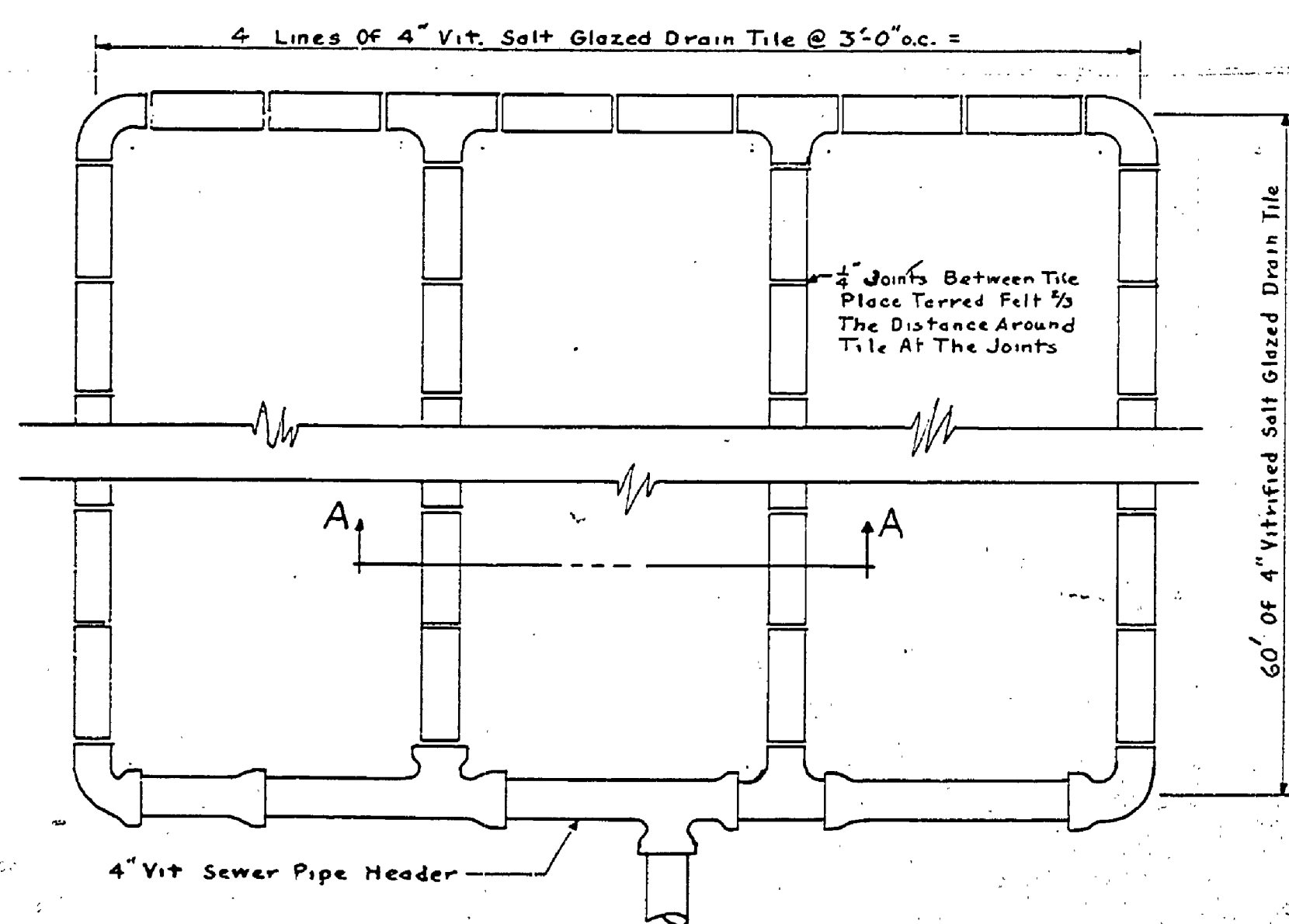
| DRAWN BY | CHECKED BY | DATE | REVIEWED BY SECTIONS | | | APPROVED BY | NO. | DATE | BY | REVISIONS | | |
|----------|------------|--------------|----------------------|-------------|-----------|-------------|----------|------|----|-----------|------|----|
| | | | ARCHITECTURAL | ENGINEERING | LANDSCAPE | | | | | NO. | DATE | BY |
| B.H.G. | E.J.P. | 25 Feb. 1955 | J.R. | H.C.H. | J.R. | 1 | | | 4 | | | |
| | | | | | | 2 | 3-2-55 | | 5 | | | |
| | | | | | | 3 | 2 Nov 55 | | 6 | | | |
| | | | | | | | 3-2-55 | | | | | |



PLAN



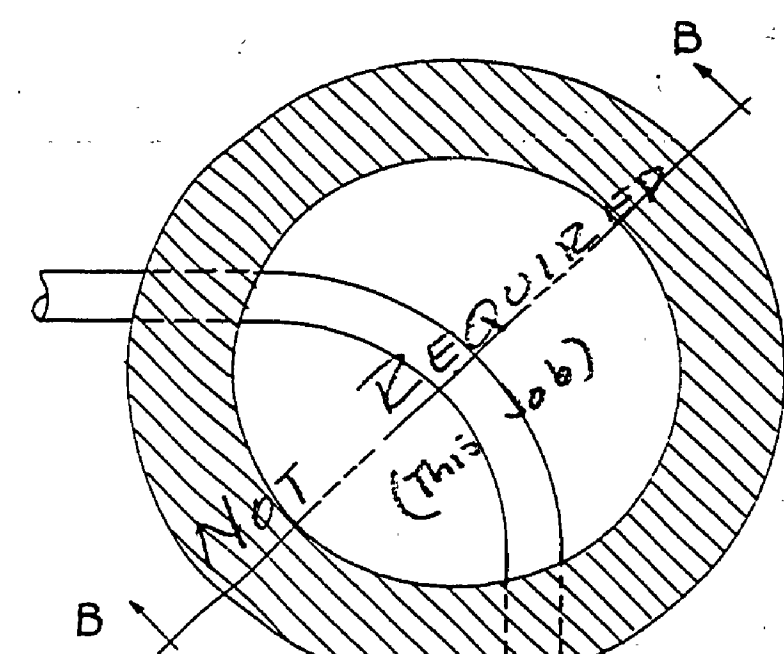
LONGITUDINAL SECTION
1000 GALLON PRECAST SEPTIC TANK
Not To Scale



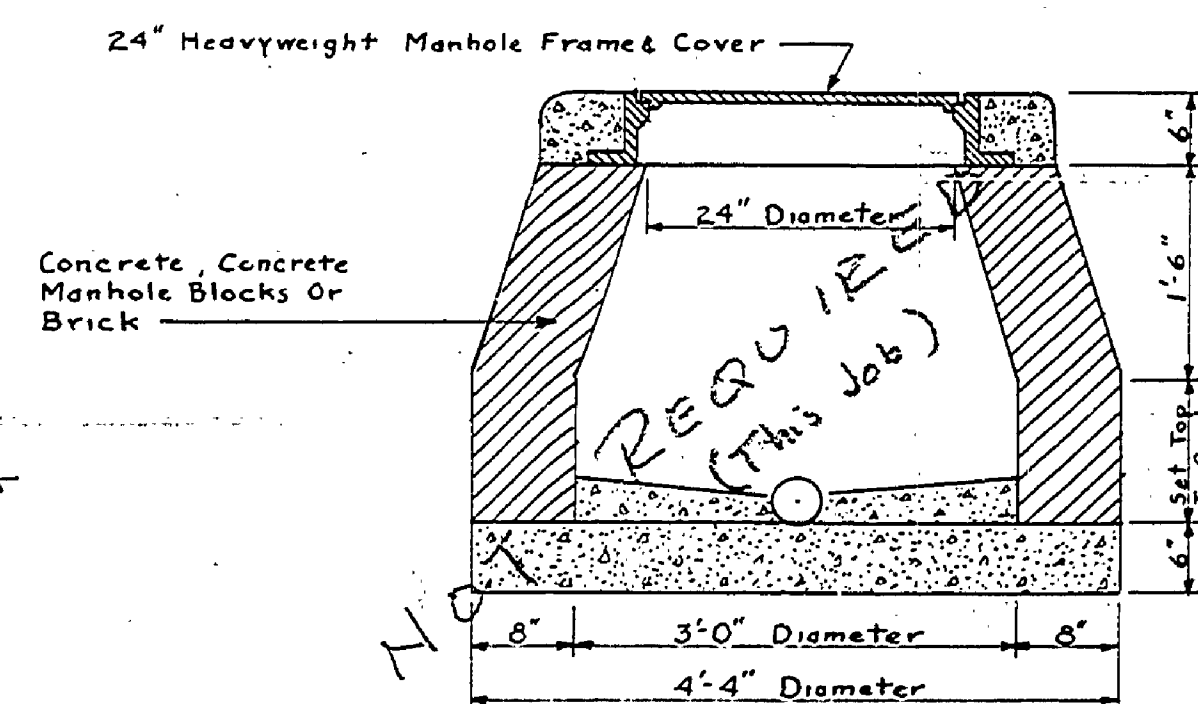
PLAN

TILE FIELD
Scale 1/2" = 1'-0"

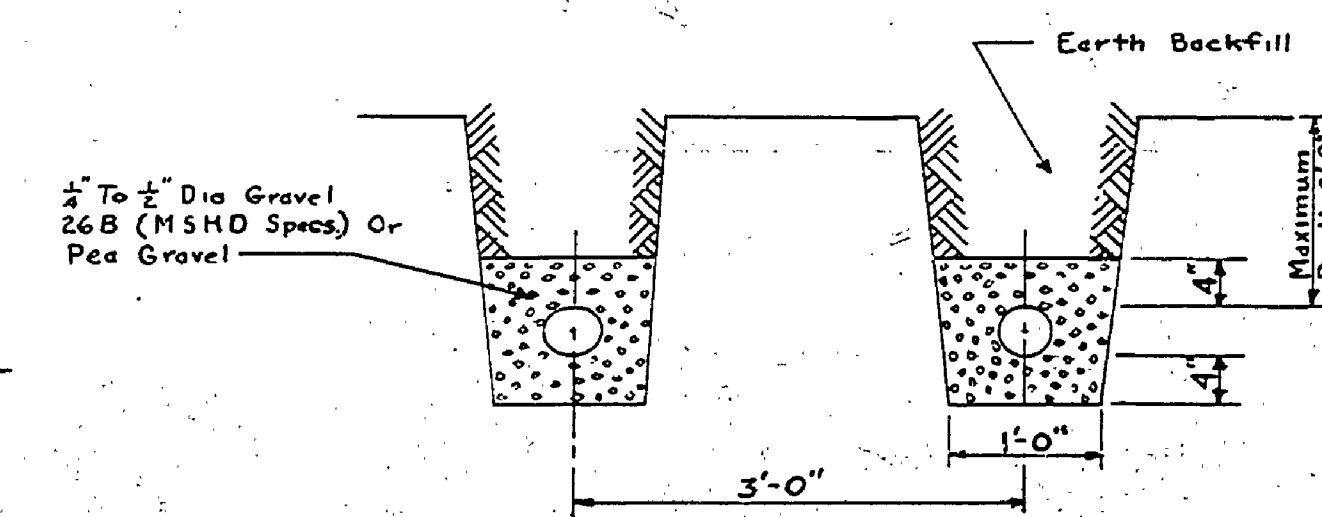
NOTES
Be Sure Excavation Is Complete And The Bottom Is The Correct Elevation Before Tank Is Delivered. Leave One End Of Excavation Free Of Material For Setting Tank.
Contact Vendor For The Following:
Size Of Hole (Length & Width)
Dimension "A" (From This The Depth Of The Hole Can Be Determined By Subtracting Dimension "A" From Inlet Elev. As Shown On Plan.)



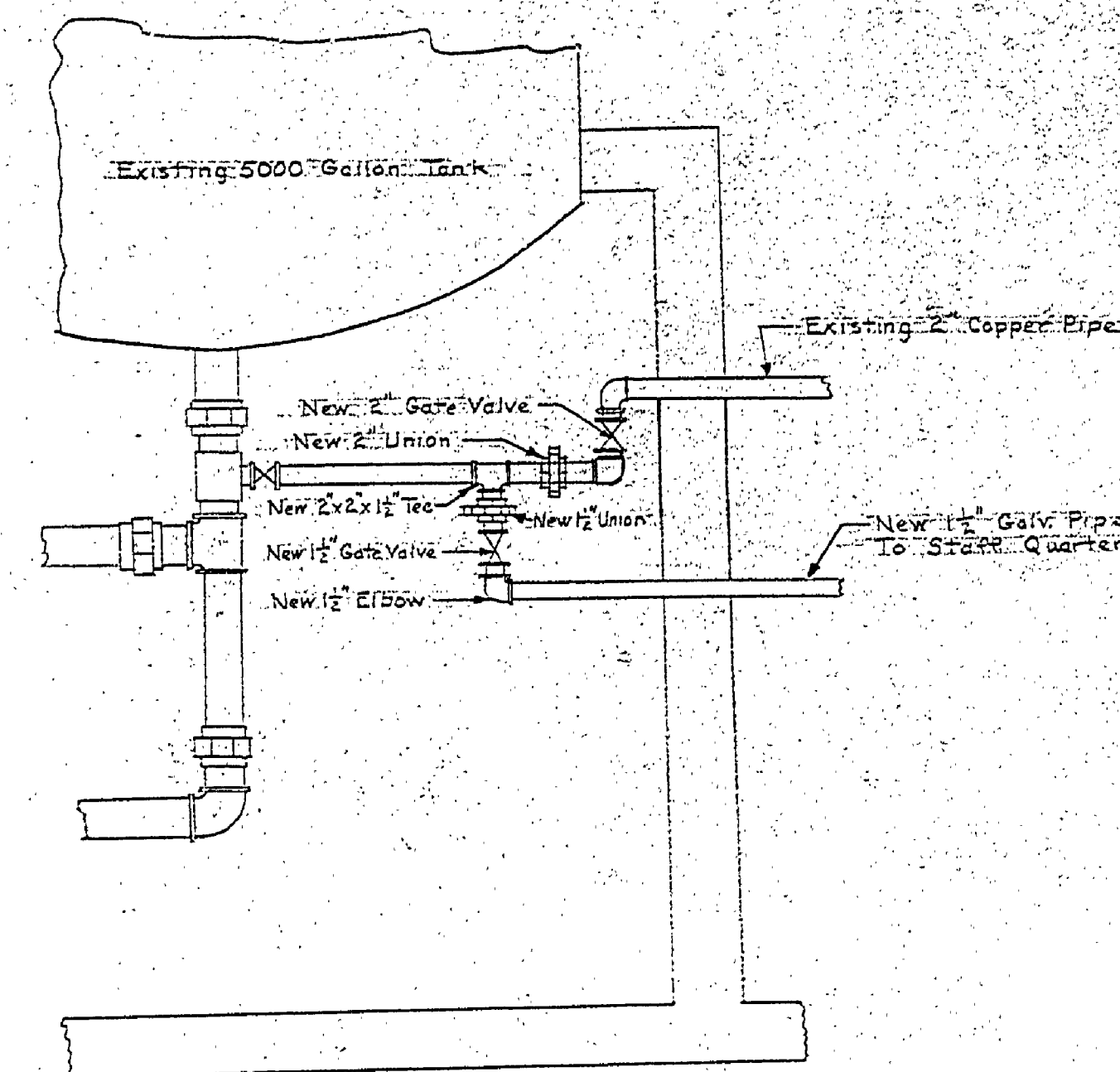
PLAN SECTION



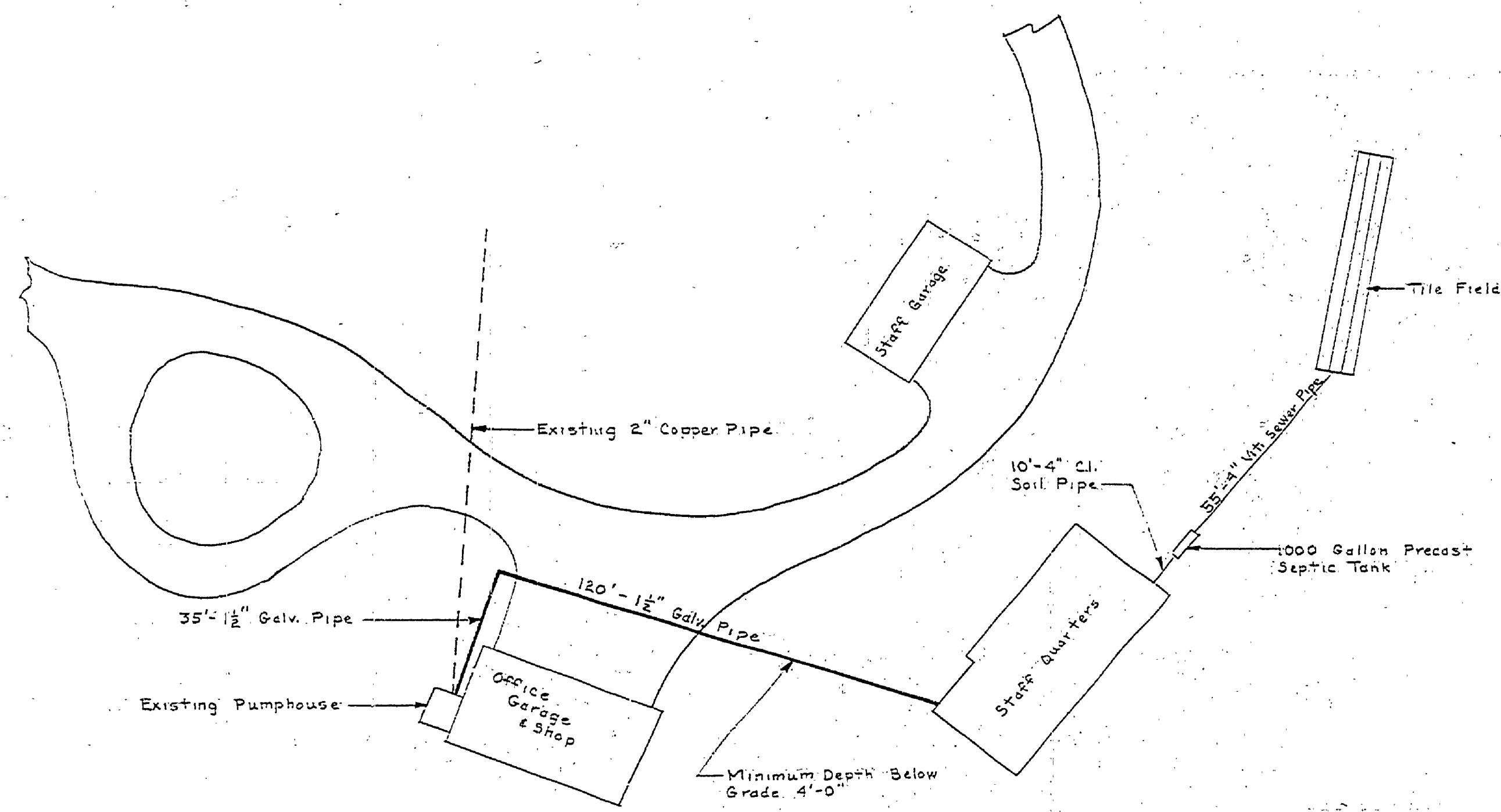
SECTION B-B
MANHOLE DETAIL
Scale 3/4" = 1'-0"



SECTION A-A



PARTIAL PLAN OF
EXISTING PUMPHOUSE
No Scale



PLOT PLAN
Scale 1" = 30'

MICHIGAN
DEPARTMENT OF CONSERVATION
PARKS AND RECREATION DIVISION

LUDINGTON STATE PARK
STAFF QUARTERS WATER AND SEWAGE SYSTEMS
Scale As Shown

SHEET
NO. 1
OF 1
PLAN NO.
E-119