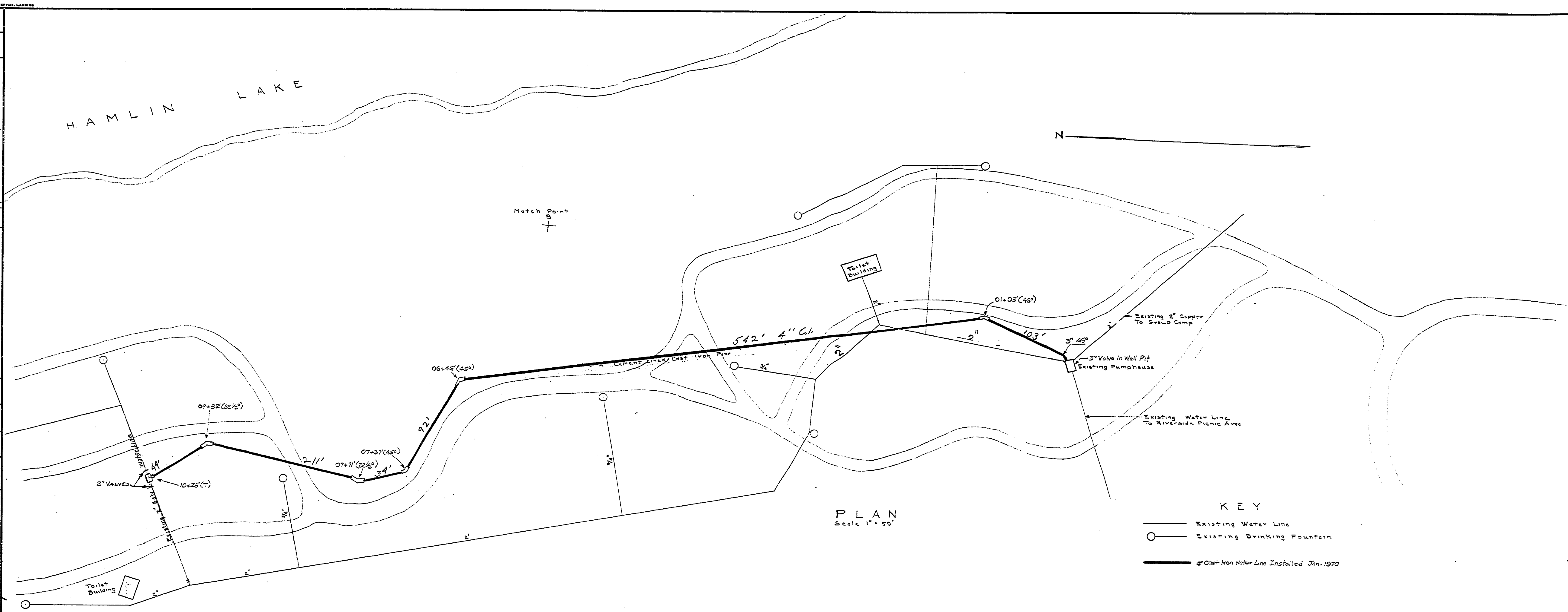
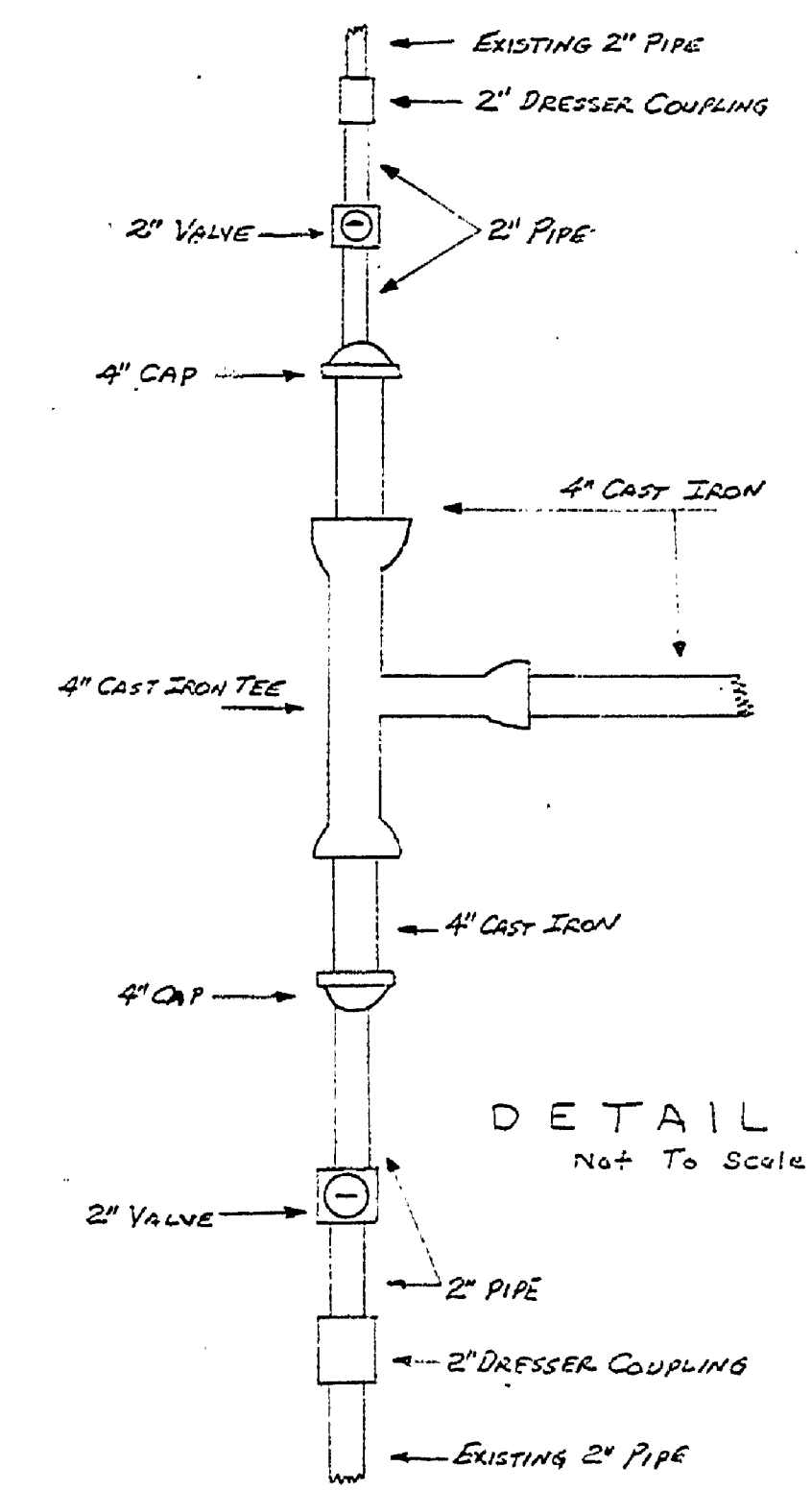


DESIGNED BY	DRAWN BY	CHECKED BY	DATE	REVIEWED	DATE	APPROVED	DATE	NO.	DATE	BY	REVISIONS
B.H.G.	B.H.G.	B.H.G.	Max. '63	W.N.G.	3-27-63	<i>[Signature]</i>	3-27-63	1	3-27-63	SHG	1
			Max. '63	E.J.P.	3-27-63	<i>[Signature]</i>	3-27-63	2	3-27-63	D.B.	2
				A.M.E.	3-27-63	<i>[Signature]</i>	3-27-63	3	3-27-63	D.B.	3
						<i>[Signature]</i>		4			4
						<i>[Signature]</i>		5			5
						<i>[Signature]</i>		6			6

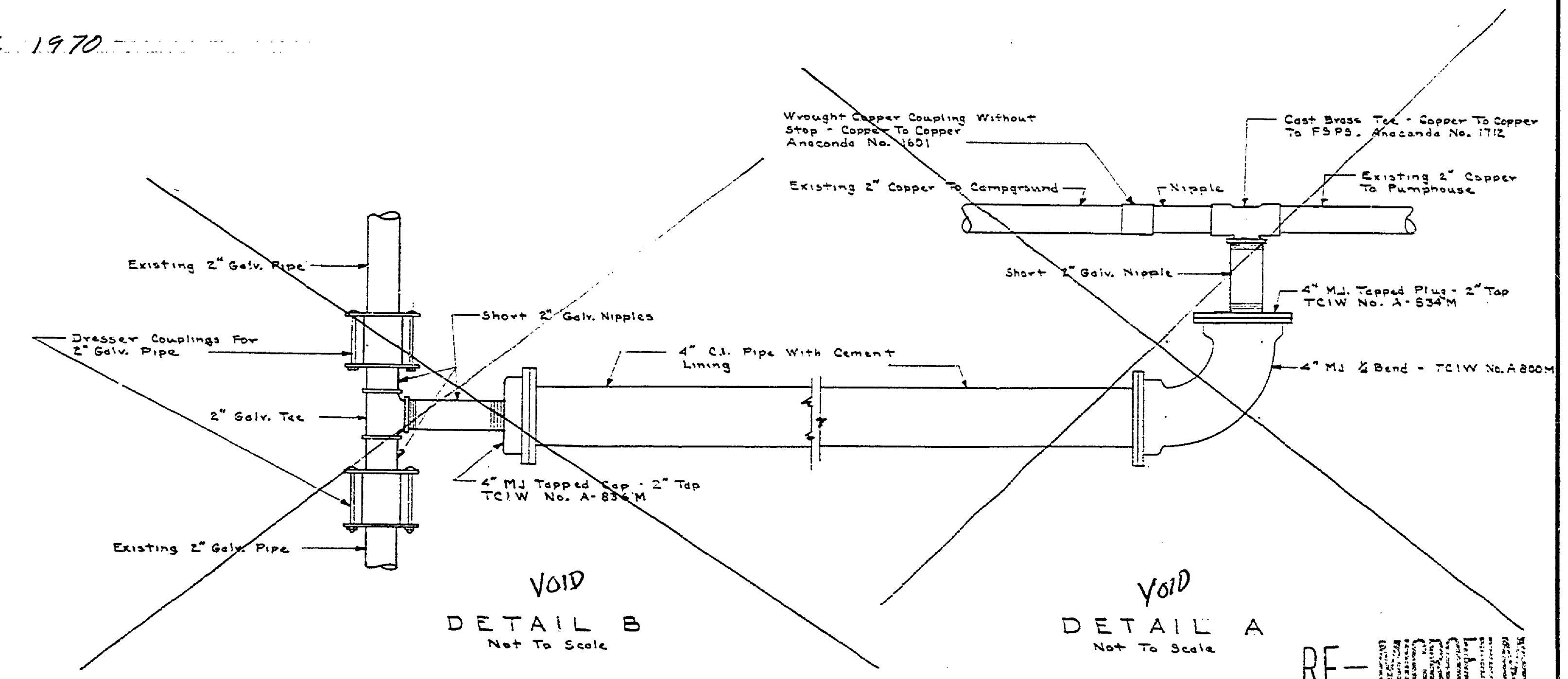
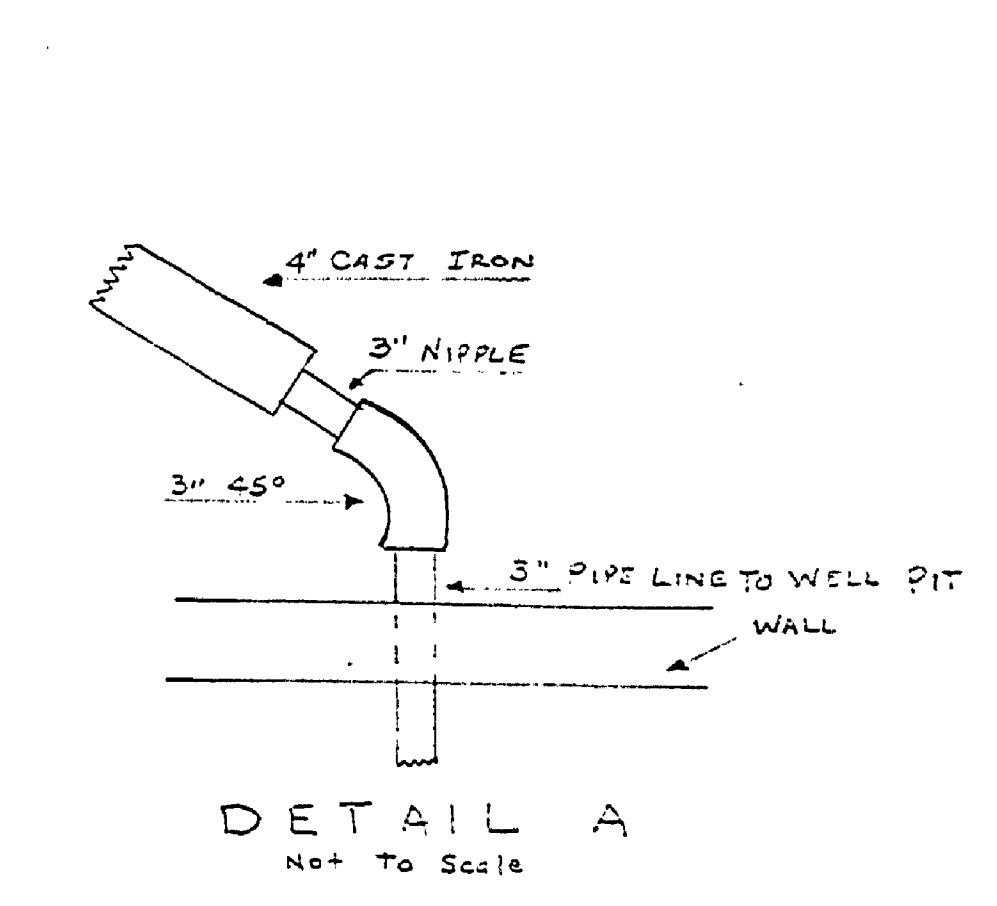


KEY

- Existing Water Line
- Existing Drinking Fountain
- 4" Cast Iron Water Line Installed Jan. 1970



4" CAST IRON WATER LINE INSTALLED IN JAN. 1970



RE-MICROFILM

MICHIGAN DEPARTMENT OF CONSERVATION PARKS AND RECREATION DIVISION	LUDINGTON STATE PARK BEECHWOOD CAMPGROUND WATER LINE EXTENSION	SHEET NO. 3 OF 4	PLAN NO. E-122
---	--	------------------------	-------------------