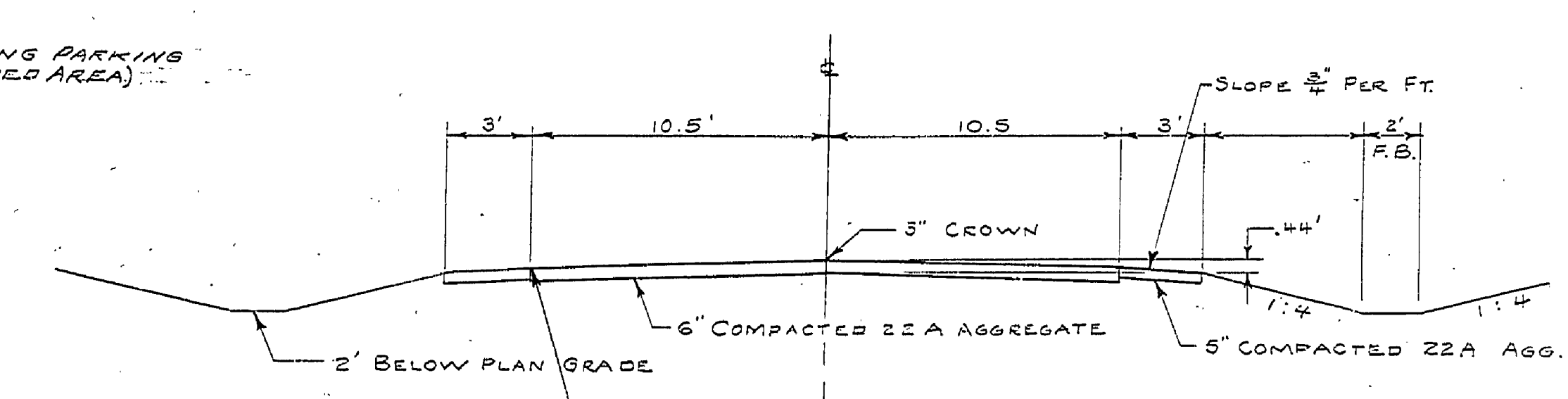
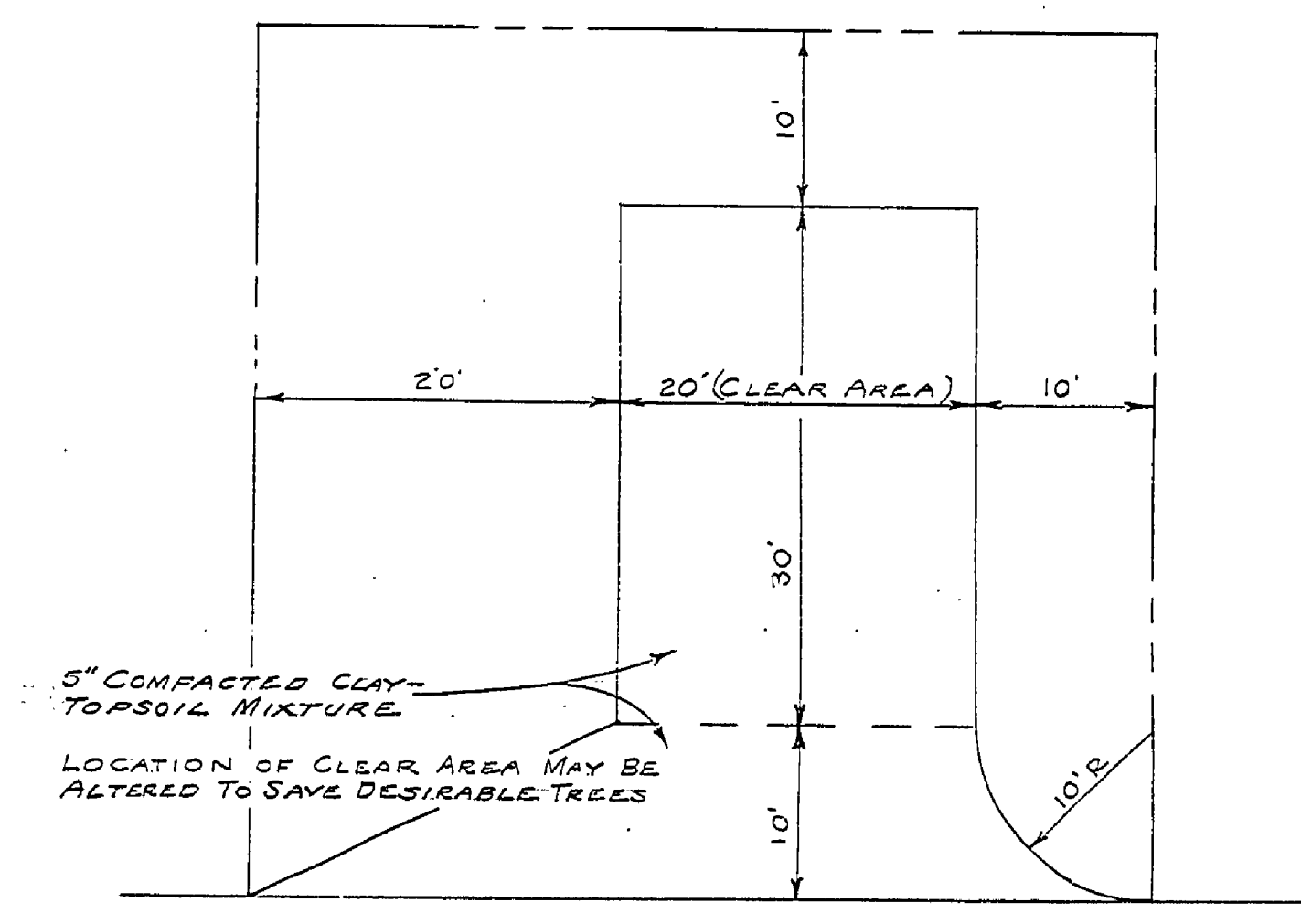
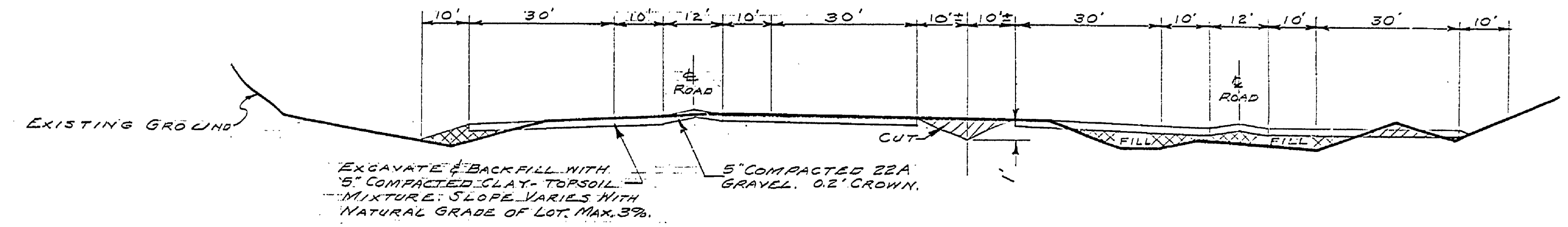
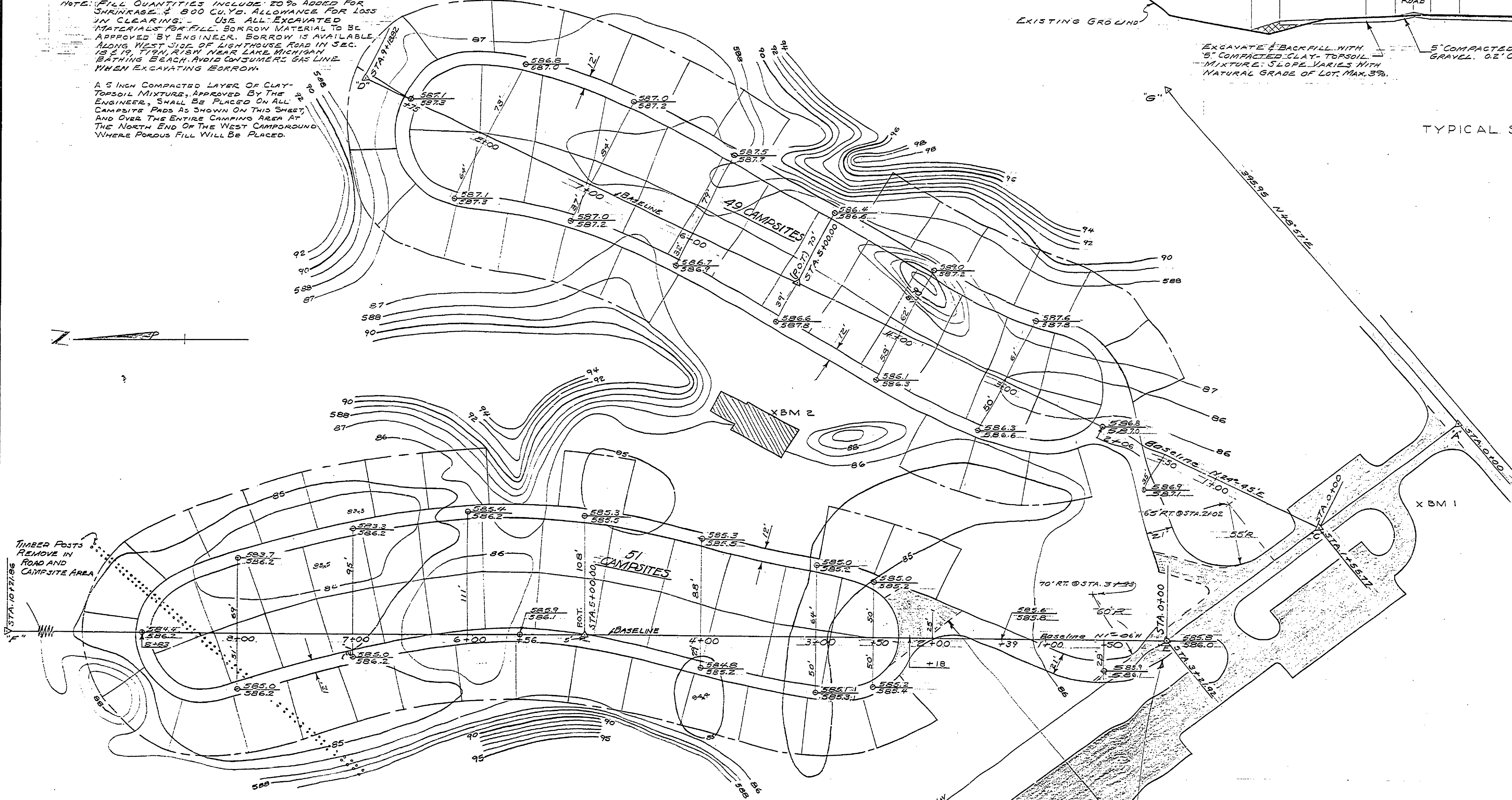


QUANTITIES

CAMPGROUND ROADS (12' W. OF P.) 22A GRAVEL 5" COMPACTED	2,900 LIN. FT. 3,870 CU. YD.
ENTRANCE ROADS (21' W. OF P.) 22A GRAVEL 6" COMPACTED 22A GRAVEL 5" COMPACTED (3' SHOULDERS)	370 LIN. FT. 1,200 CU. YD. 150 CU. YD.
CLEARINGS - ROADS & CAMPSITES CLAY & TOPSOIL MIXTURE, 2" COMPACTED - CAMPSITES	1 ACR. 15,140 CU. YD.
FILL (TOTAL QUANTITY)	4,400 CU. YD.
EXCAVATION BORROW (FILL MINUS EXCAVATION)	2,210 CU. YD.

NOTE: FILL QUANTITIES INCLUDE 20% ALLOWANCE FOR SHRINKAGE & 800 CU. YD. ALLOWANCE FOR LOSS IN CLEARING. USE ALL EXCAVATED MATERIALS FOR FILL. BORROW MATERIAL TO BE APPROVED BY ENGINEER. BORROW IS AVAILABLE ALONG WEST SIDE OF LIGHTHOUSE ROAD IN SEC. 18 S. 17N. T18N. R18W. NEAR LANE HIGHWAY. BATHING BEACH. AVOID CONSUMERS GAS LINE WHEN EXCAVATING BORROW.

A 5 INCH COMPACTED LAYER OF CLAY-TOPSOIL MIXTURE, APPROVED BY THE ENGINEER, SHALL BE PLACED ON ALL CAMPSITE PADS AS SHOWN ON THIS SHEET, AND OVER THE ENTIRE CAMPING AREA AT THE NORTH END OF THE WEST CAMPGROUND WHERE PONDUS FILL WILL BE PLACED.



- WITNESS TO PT. "A" @ PARK DRIVE
1/4" X 30" I.P.
N 10° 30' E 29.2' PARK SIGN POST, SPIKE & TAG
N 52° 30' E 36.4' 10" W. PINE, SPIKE & TAG
N 79° 30' W 28.4' 12" TWIN W. CHERRY, SPIKE & TAG
- WITNESS TO PT. "B" BOTTOM HILL
3/4" X 30" I.P. 1" BELOW SURFACE
S 69° 30' E 49.4' 9" W. PINE, SPIKE & TAG
S 27° 30' E 55.4' 36" QUINT. MAPLE, SPIKE & TAG
S 68° W 12.1' 19" OAK, SPIKE & TAG
- WITNESS TO PT. "C" @ PARKING LOT DRIVE
3/4" X 30" I.P. 1" BELOW SURFACE
N 31° 30' W 110.2' 18" OAK, SPIKE & TAG
N 11° E 30.4' 17" OAK, SPIKE & TAG
S 10° E 35.7' 6" BIRCH
- WITNESS TO PT. "D" 3/4" X 30" I.P. FLUSH
S 55° W 19.0' 18" MAPLE
S 18° W 22.9' 12" BIRCH
N 42° E 11.9' 8-10" TWIN OAK
- WITNESS TO POT. BASELINE C-D, 3/4" X 30" I.P. FLUSH
S 87° W 136.4' DE. COR. TOILET BLDG.
N 59° 30' W 116.3' NE COR. TOILET BLDG.
S 44° E 27.5' CENTER OF MANHOLE-DRINKING FTN.

- WITNESS TO PT. "E" @ PARKING LOT DRIVE
3/4" X 30" I.P. 1" BELOW SURFACE
S 55° E 58.8' 18" OAK, SPIKE & TAG
N 45° E 38.2' 14" W. PINE, SPIKE & TAG
N 87° 30' W 59.6' TWIN 14" W. PINE, SPIKE & TAG
- WITNESS TO PT. "F" 3/4" X 30" I.P. FLUSH
S 78° W 12.45' 11" MAPLE, SPIKE & TAG
S 81° E 13.75' 12" OAK, SPIKE & TAG
N 47° E 17.15' 14" OAK, SPIKE & TAG
- WITNESS TO POT. BASELINE E-F, 3/4" X 30" I.P. FLUSH
N 25° 30' E 61.2' CENTER OF MANHOLE-DRINKING FTN.
S 45° E 233.7' SV. COR. TOILET BLDG.
- BM 1 ELEV. 586.76
72" N. OF @ PARK DRIVE, 35' W. OF PARKING LOT DR.
- BM 2 ELEV. 588.67
E. S108 TOILET BLDG. CENTER OF TOP STEP, CHISEL SQUARE

LEGEND

- 586.3 586.6 EXISTING GROUND ELEVATIONS
- 586.3 586.6 EXISTING GRADE ELEVATIONS
- △ BASELINE TRANSIT POINTS

SCALE: 1" = 50'

SURVEYED BY: A.Y. MCCANN	DATE: 7/1/66	DRAWN BY: A. KINNEE	DATE: 7/25/66	NO.	DATE	BY	REVISIONS	NO.	DATE	BY	REVISIONS	MICHIGAN DEPARTMENT OF CONSERVATION	RIVERSIDE CAMPGROUND CAMPGROUND GRADING PLAN	SHEET NO. 2 OF 7	LUDINGTON STATE PARK
DESIGNED BY: F. FANZLOW	DATE:	CHECKED BY:	DATE:	1.				3.						FOR PROJECT NO. PR 143-108-5011300-002	SHEET OF PLAN NO. E-125