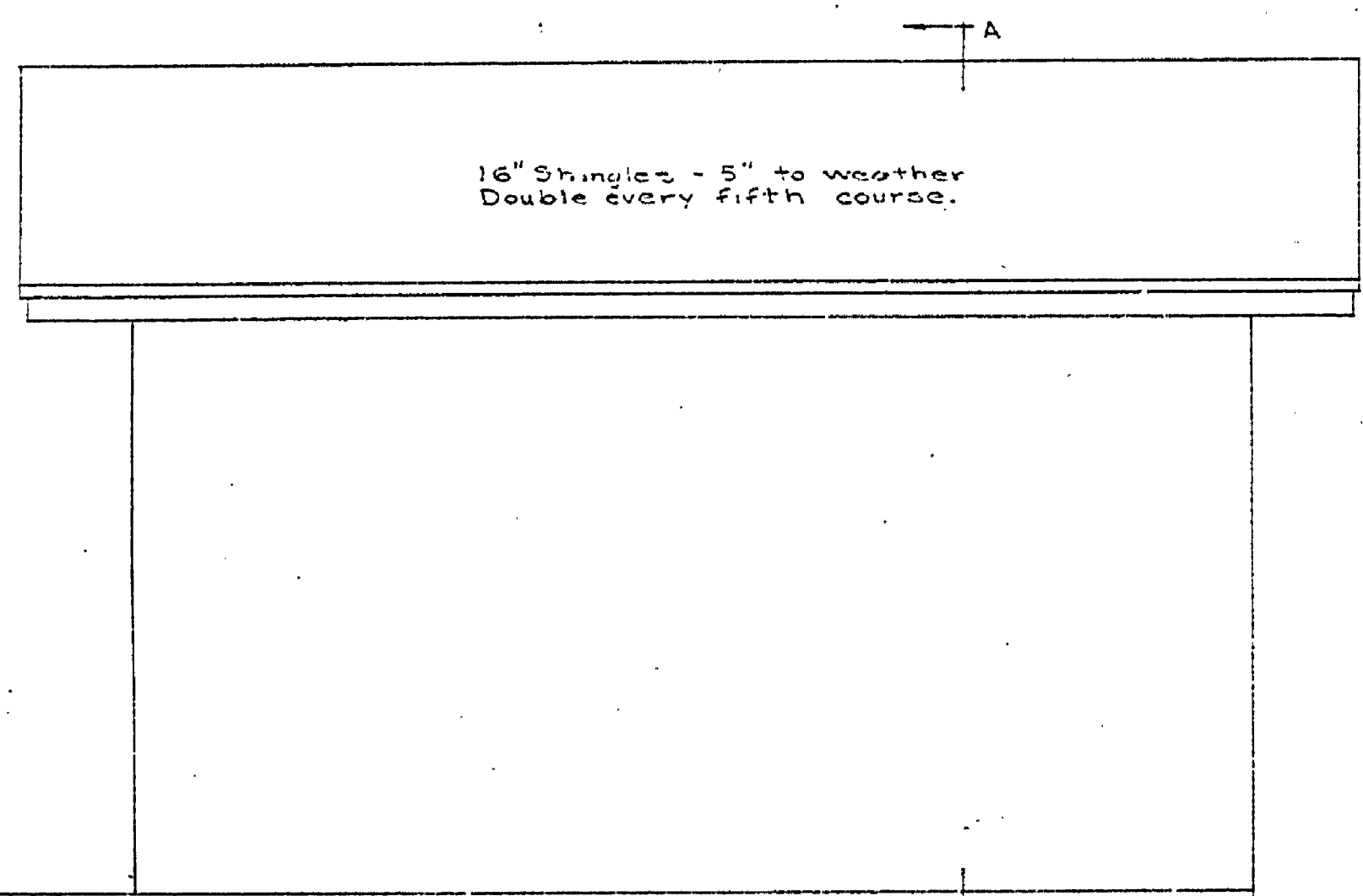
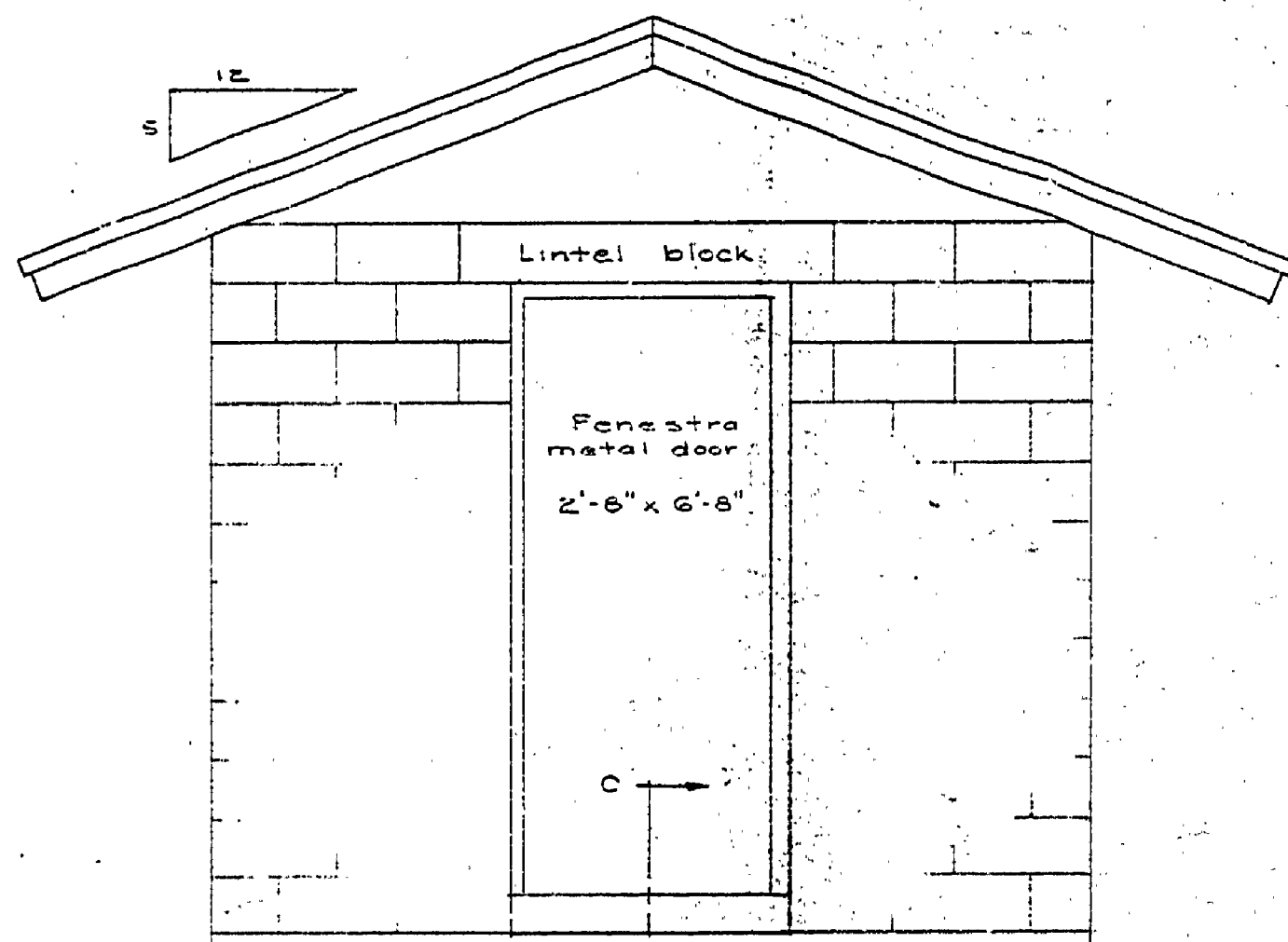


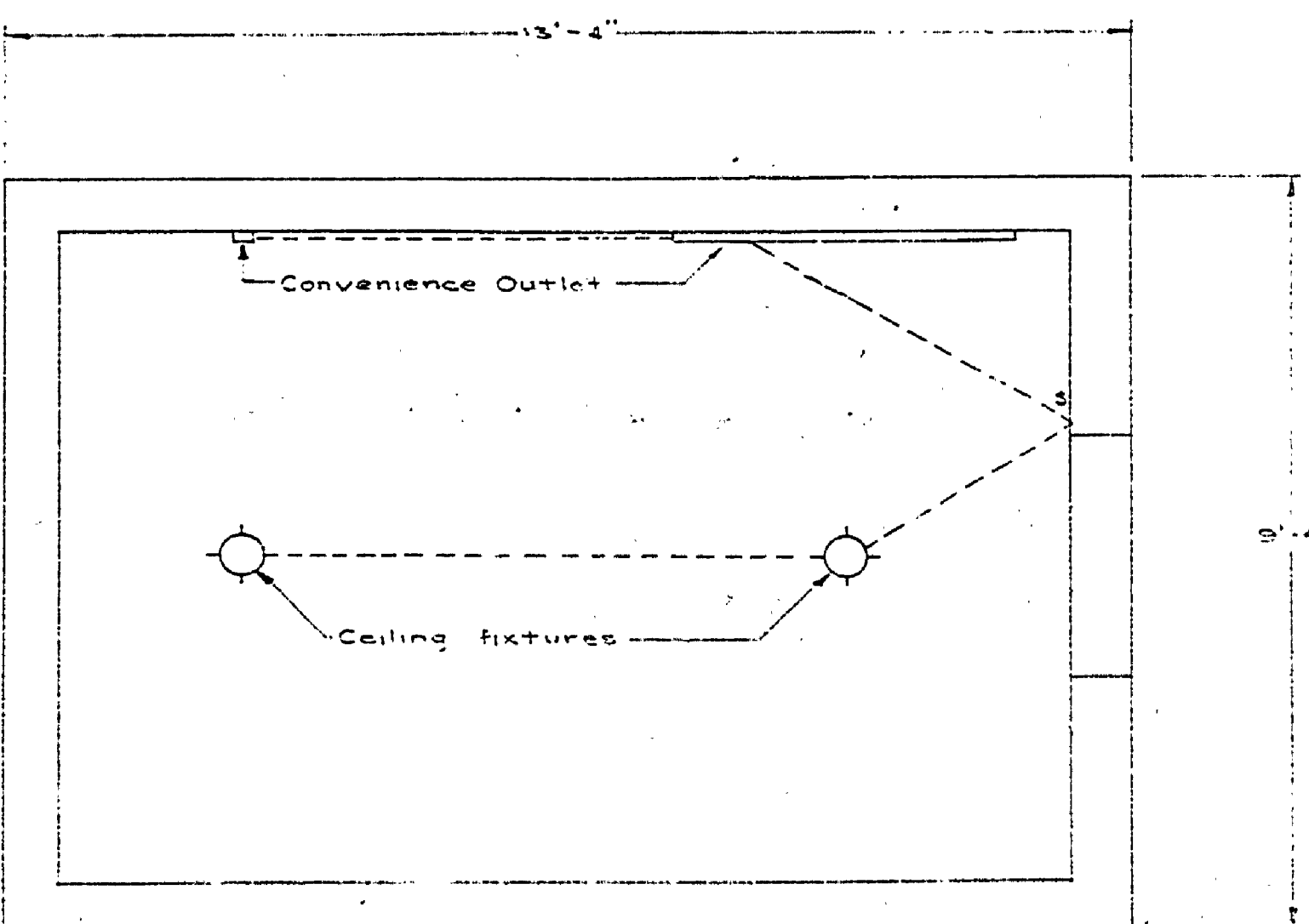
DESIGNED BY	DATE	REVIEWED	DATE	APPROVED	DATE	NO.	DATE	BY	REVISIONS	DATE	BY
W.J.P.	July '63	ARCHITECTURAL	6.6.63		7-11-63	1	7-11-63	J.Y.	16" Shingles - 5" to weather Double every fifth course.		
J.Y.	July '63	ENGINEERING	7-11-63		7-11-63	2	5/27/60	CM	Revised for Ludington S.P.		
W.J.P.	July '63	LANDSCAPE	7-11-63		7-11-63	3					
						4					
						5					
						6					



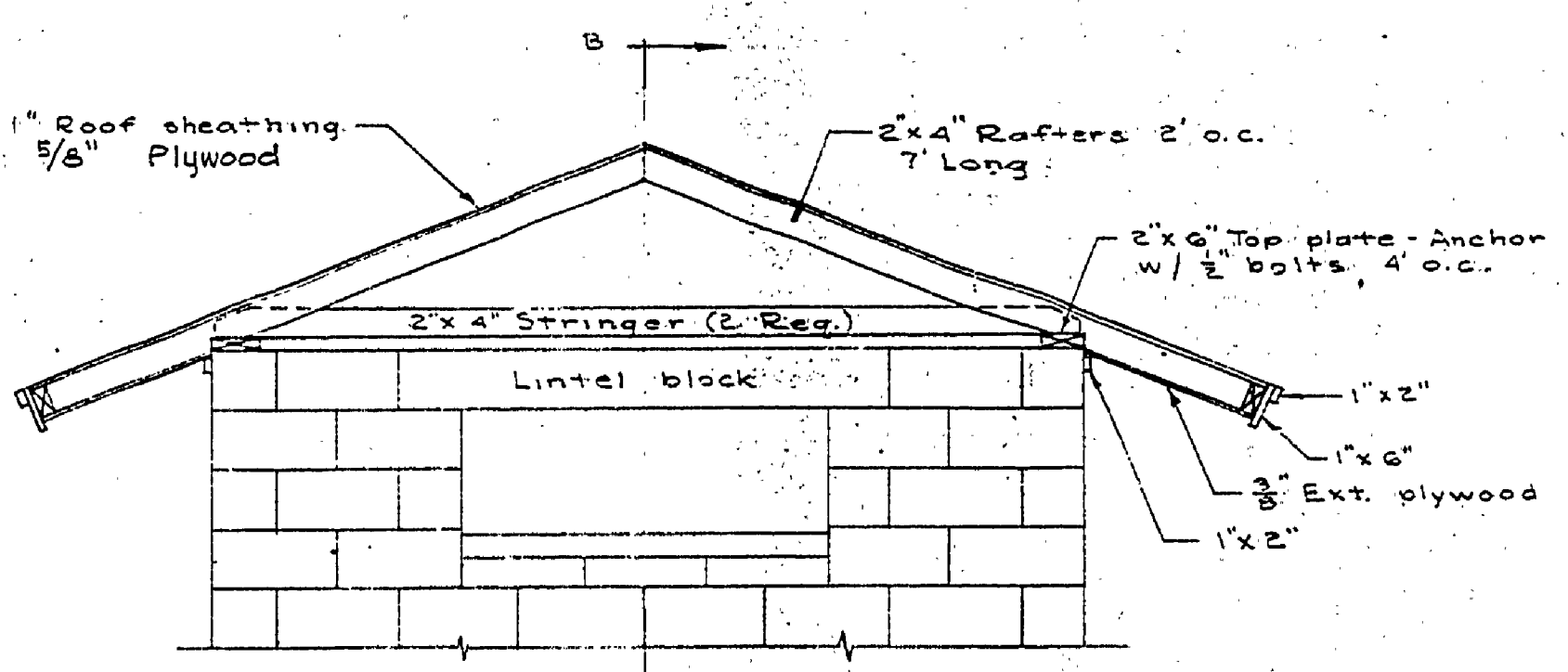
SIDE ELEVATION
2'-11-0"



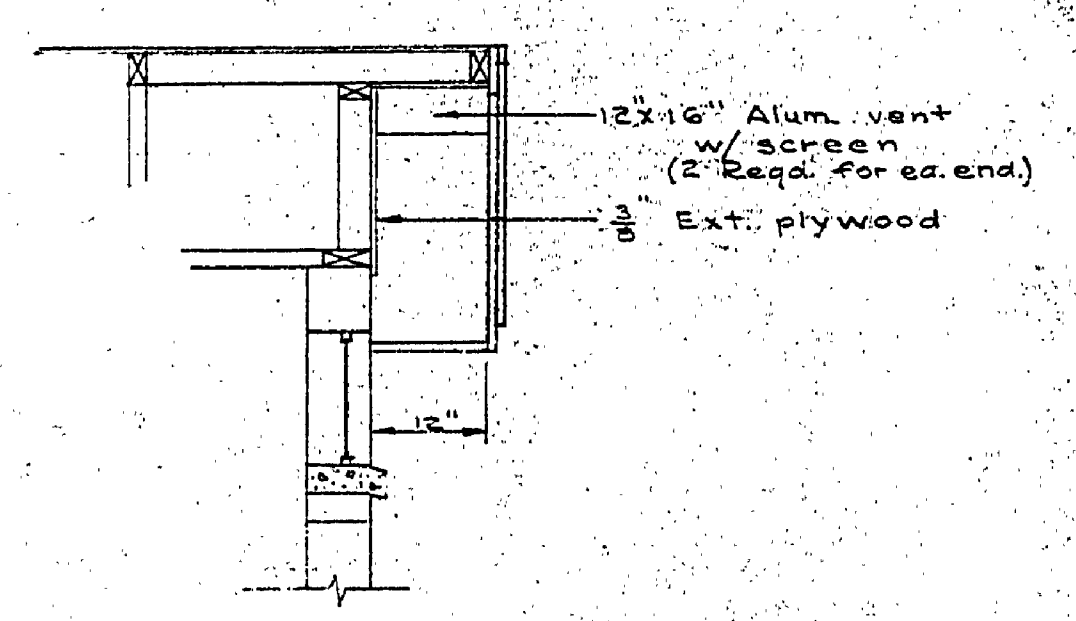
FRONT ELEVATION
2'-11-0"



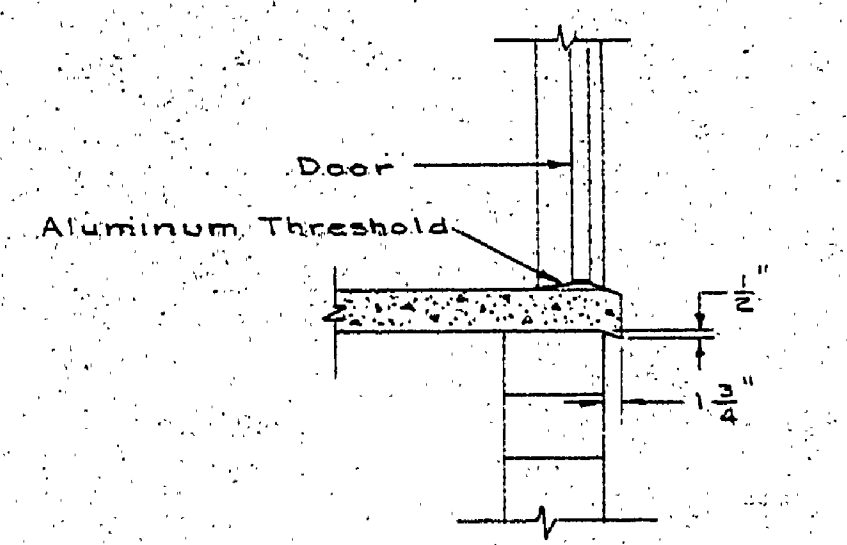
FLOOR PLAN
2'-11-0"



SECTION A-A



SECTION B-B



SECTION C-C

CEDARS PUMPHOUSE

MICHIGAN
DEPARTMENT OF CONSERVATION
PARKS AND RECREATION DIVISION

LUDINGTON STATE PARK
WATER SYSTEM

SHEET
NO. 2
OF 5

PLAN NO.
E-128