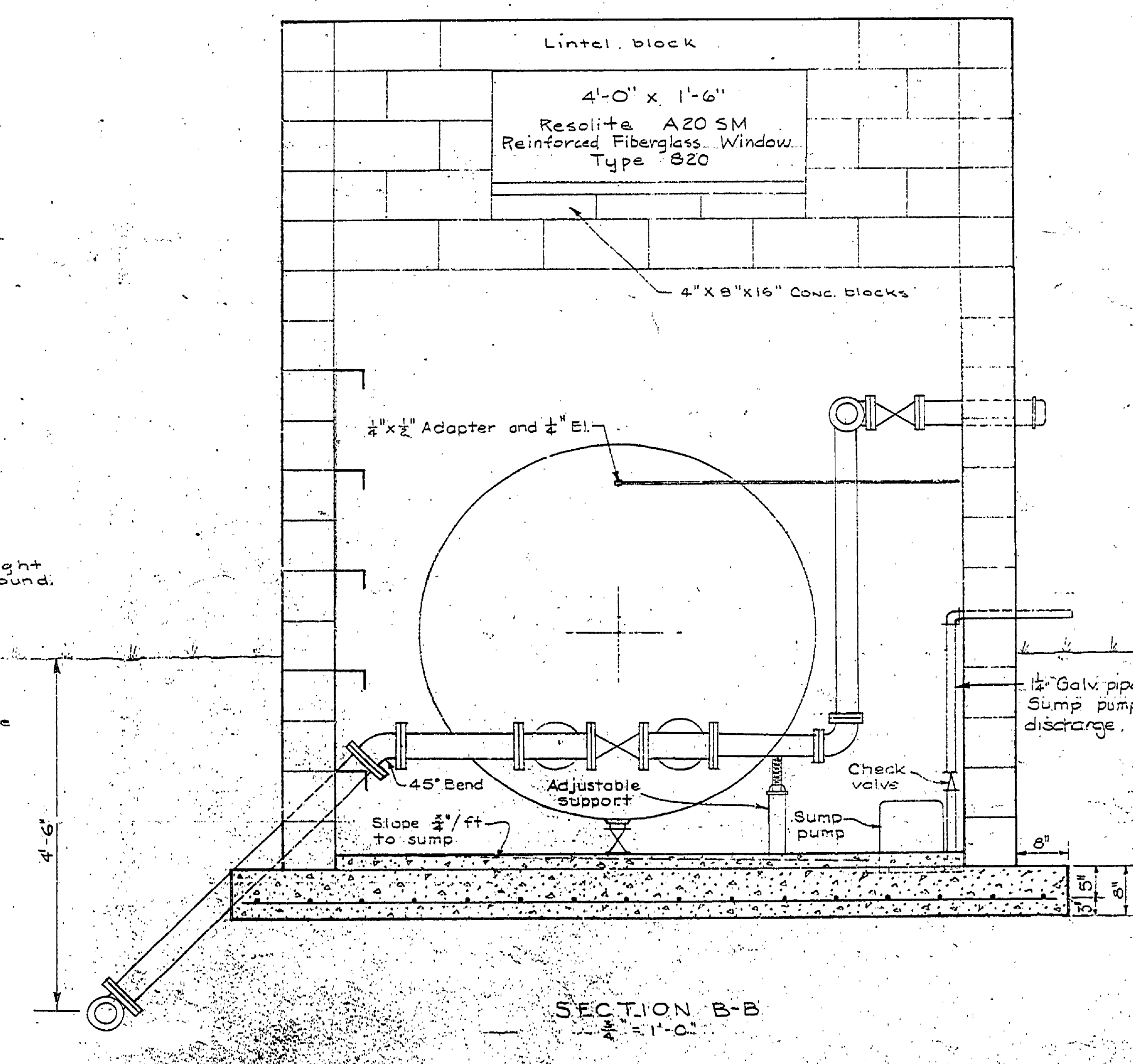
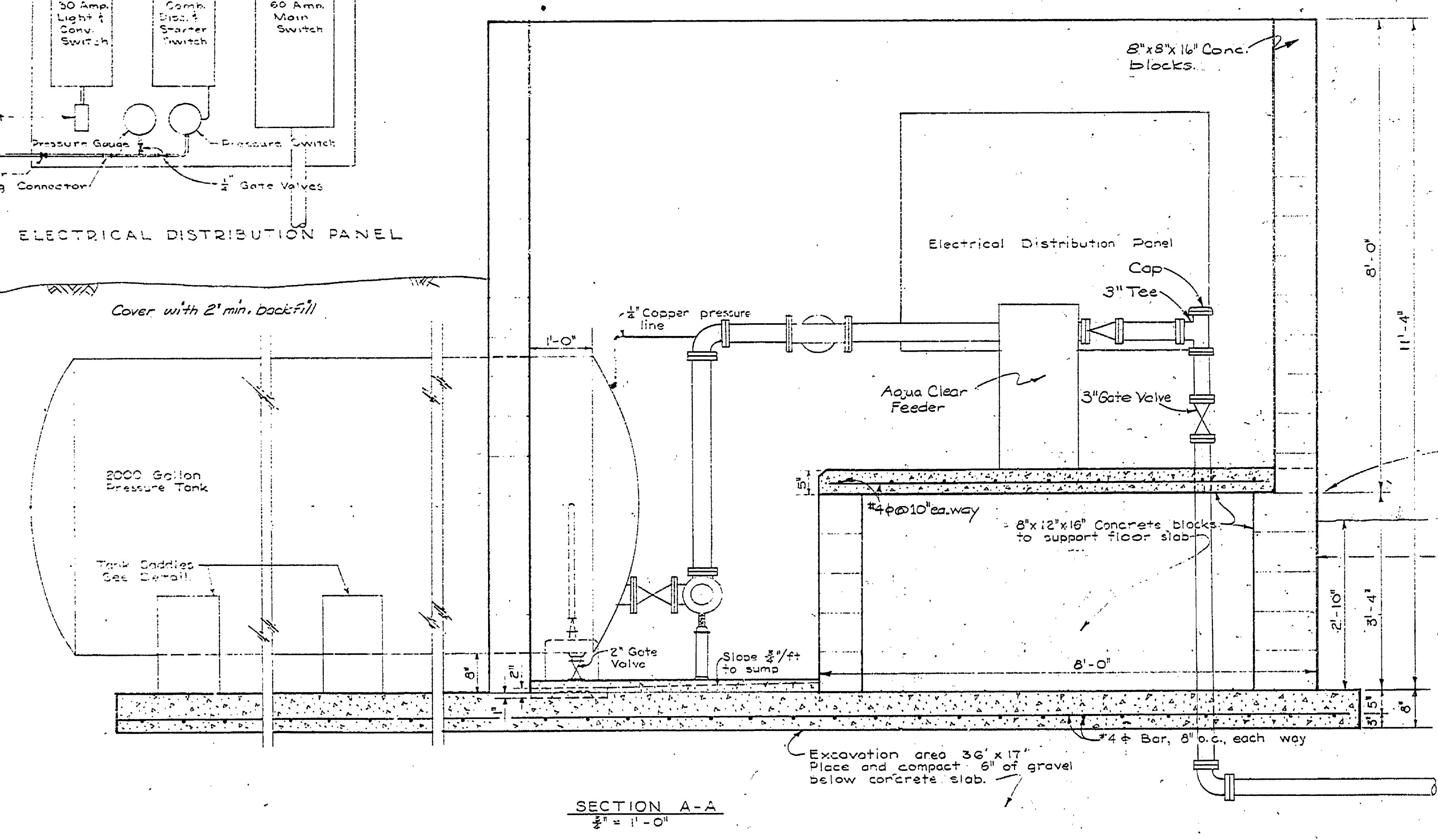
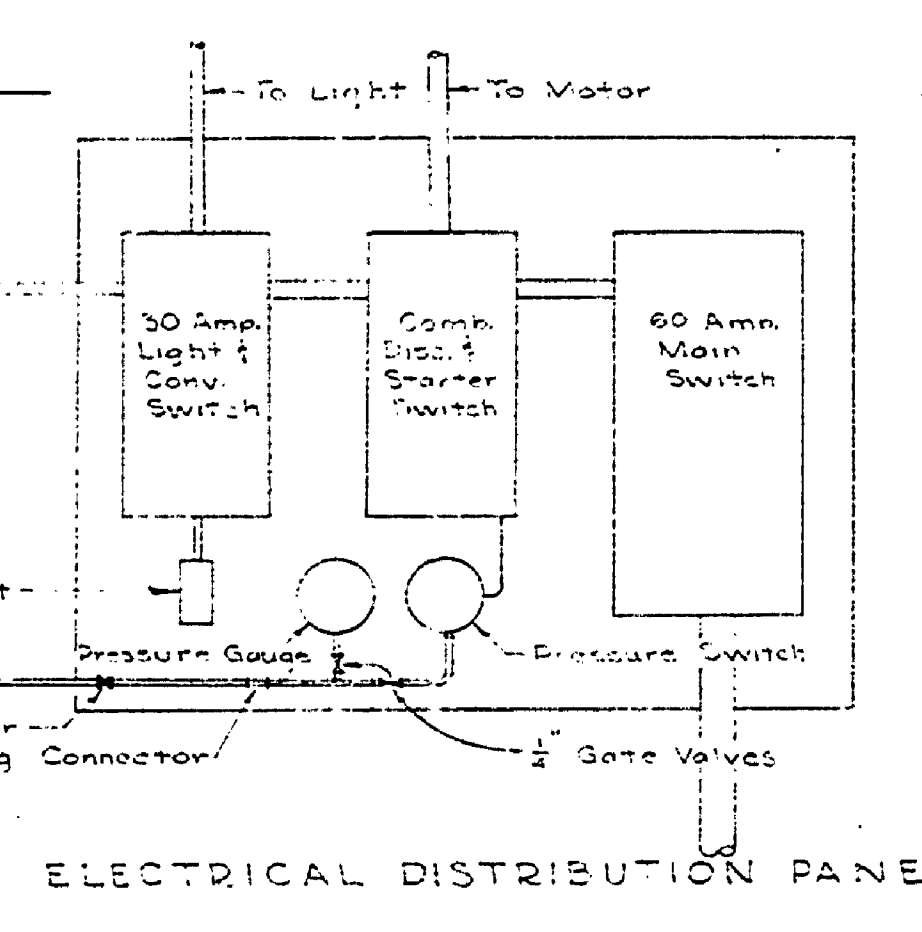
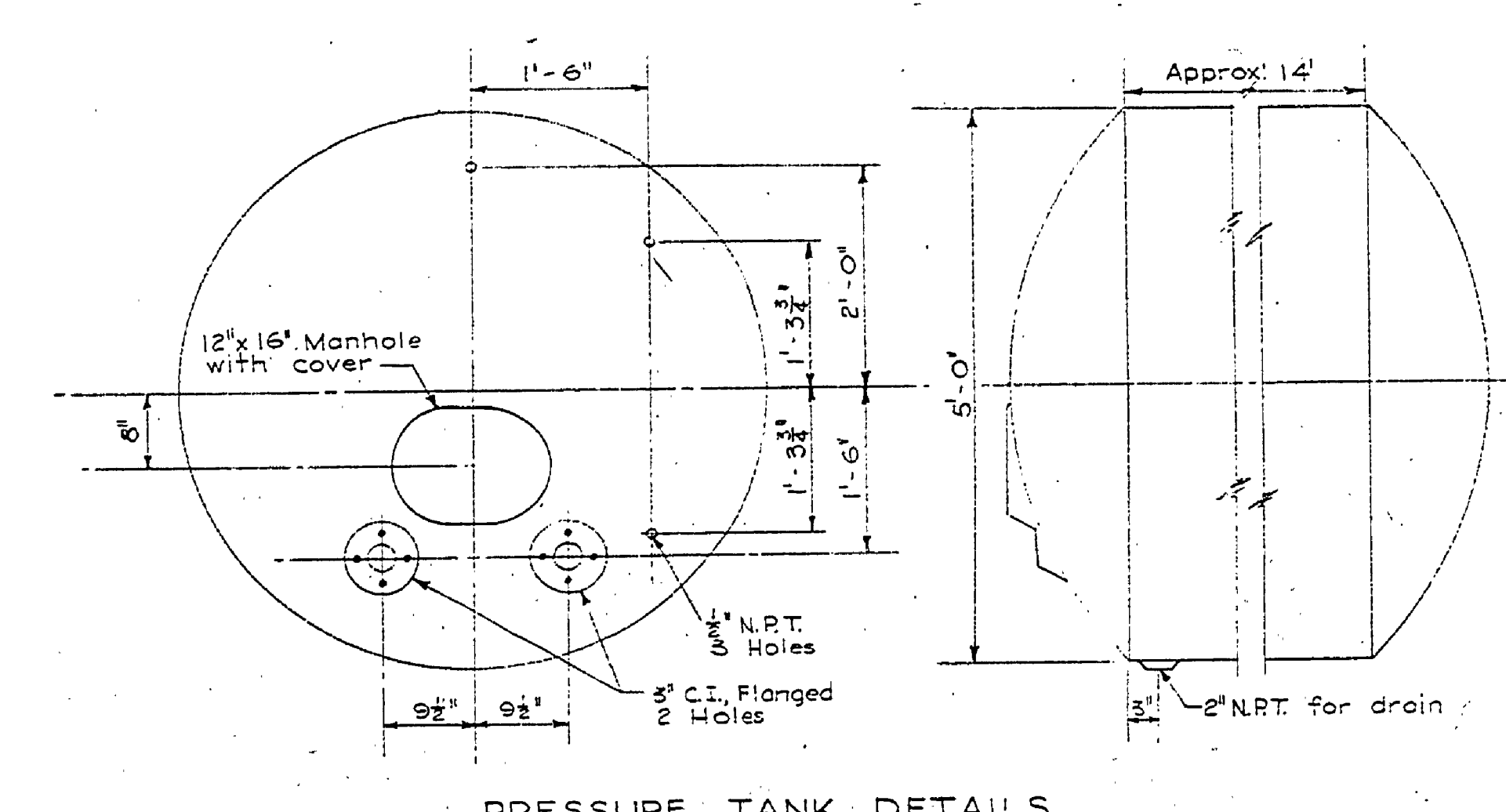
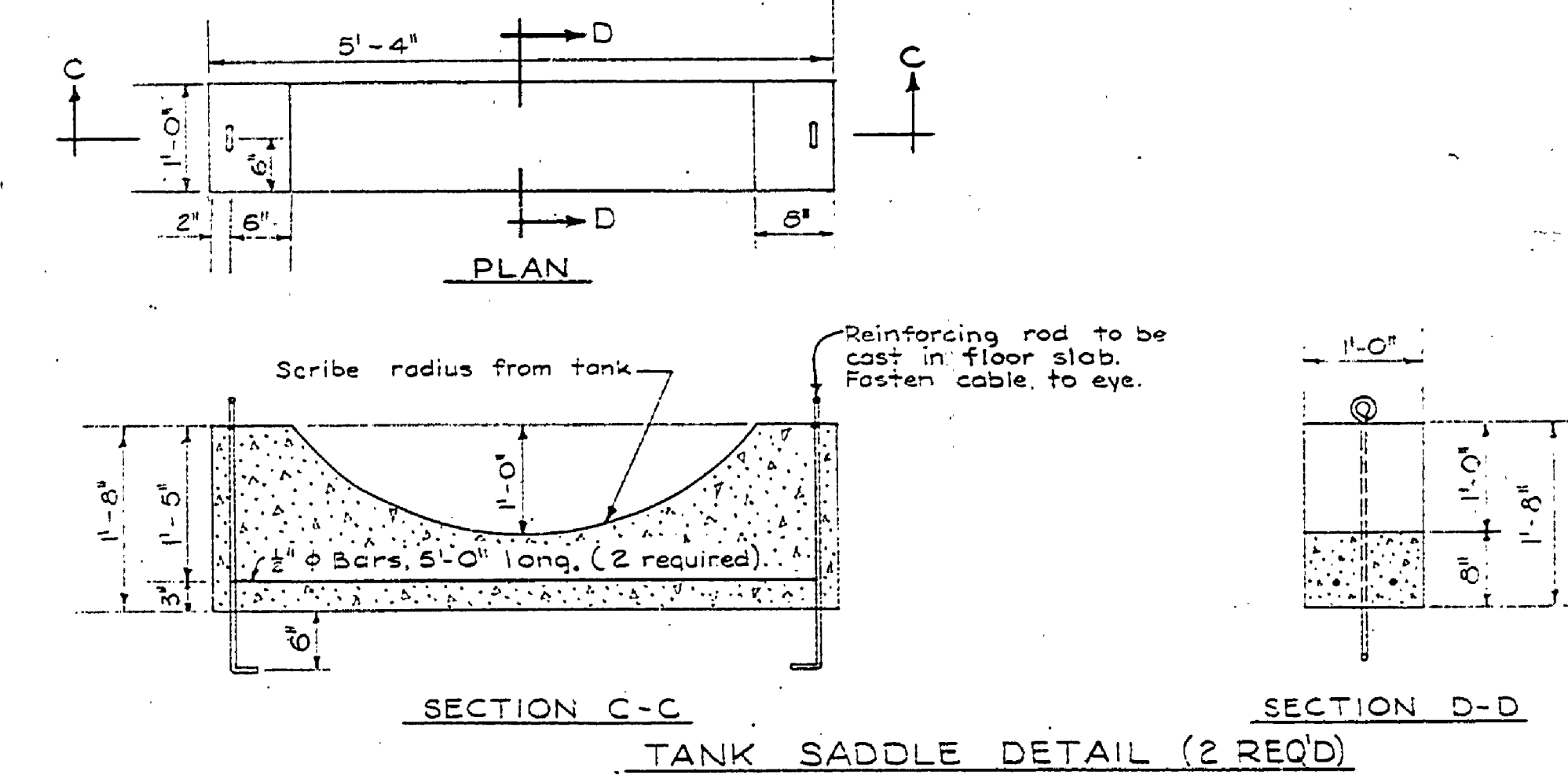
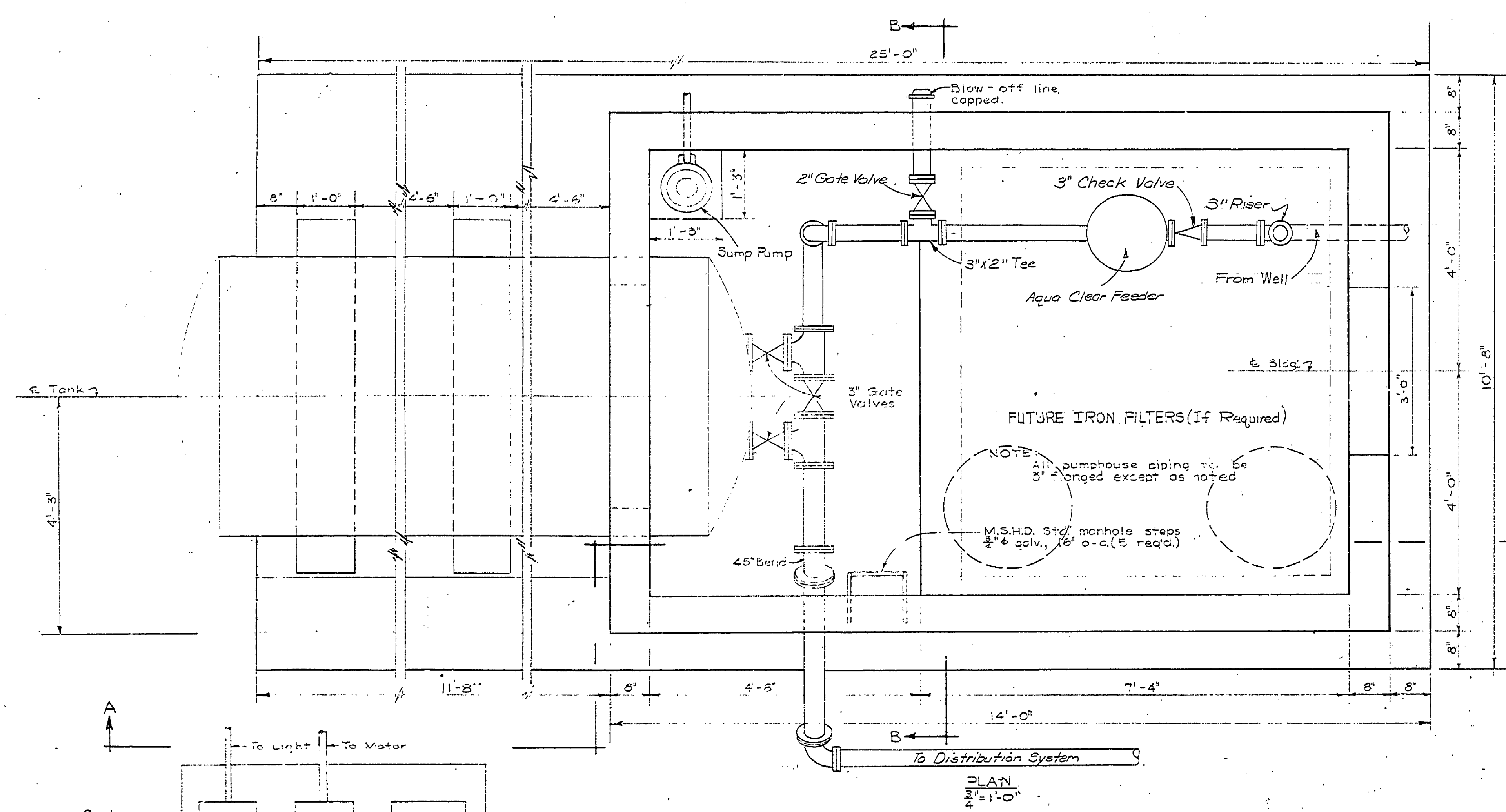


DESIGNED BY	DATE	REVIEWED	DATE	APPROVED	DATE	NO.	DATE	BY	REVISIONS
W.J.P.	July 65	ARCHITECTURAL	7/6/65		1	1	7/6/65	J.Y.	Revised for location S.P.
D.M.C.	July 65	ENGINEERING	7/6/65		2	2	5/27/69	CM	
W.J.P.	July 65	LANDSCAPE	7/6/65		3	3	7/1/65		
					4	4			
					5	5			
					6	6			



CEDARS PUMPHOUSE

MICHIGAN DEPARTMENT OF NATURAL RESOURCES

LUDINGTON STATE PARK WATER SYSTEM

SHEET NO. 3 OF 3	PLAN NO. E-128
------------------	----------------