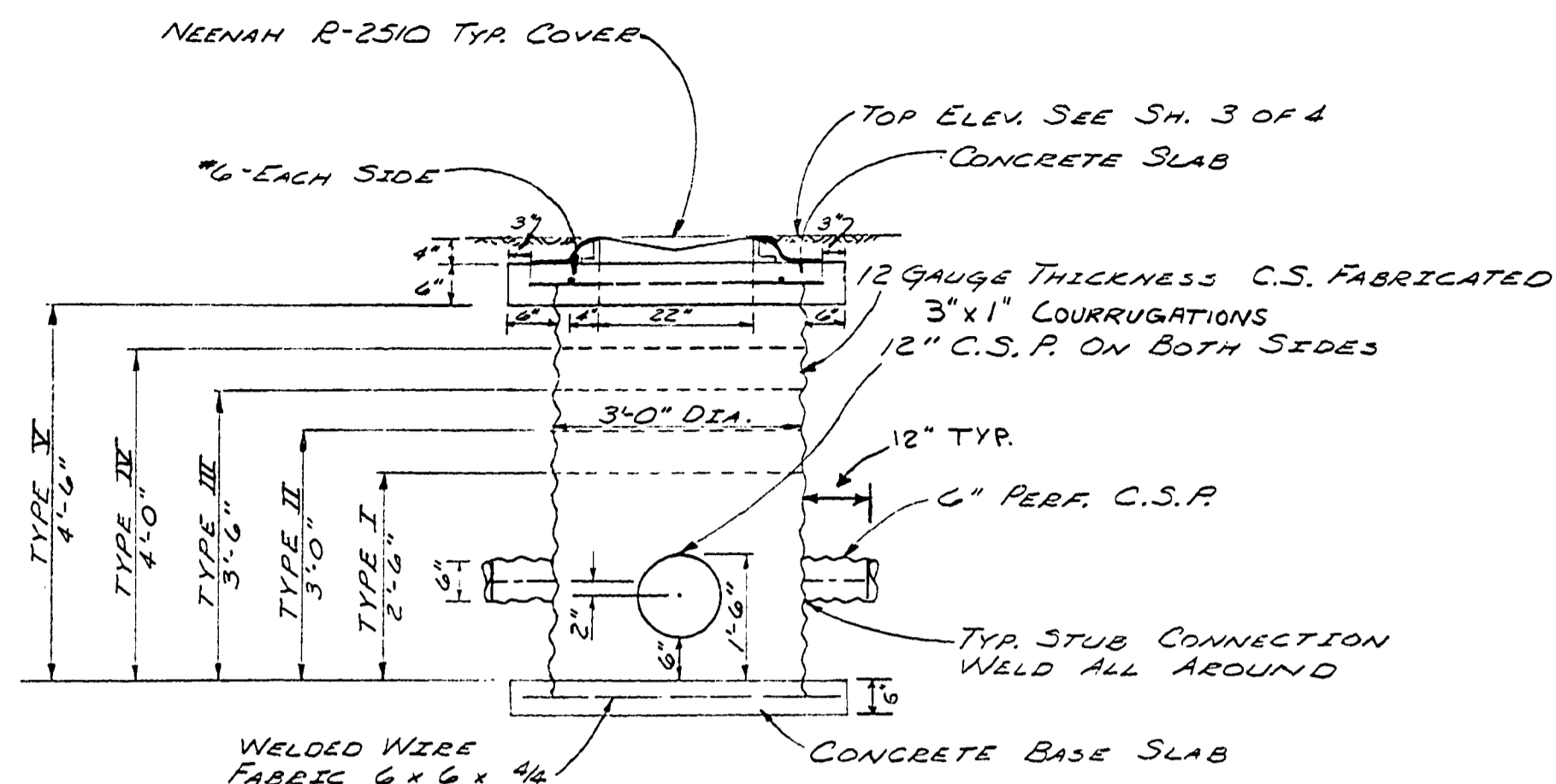
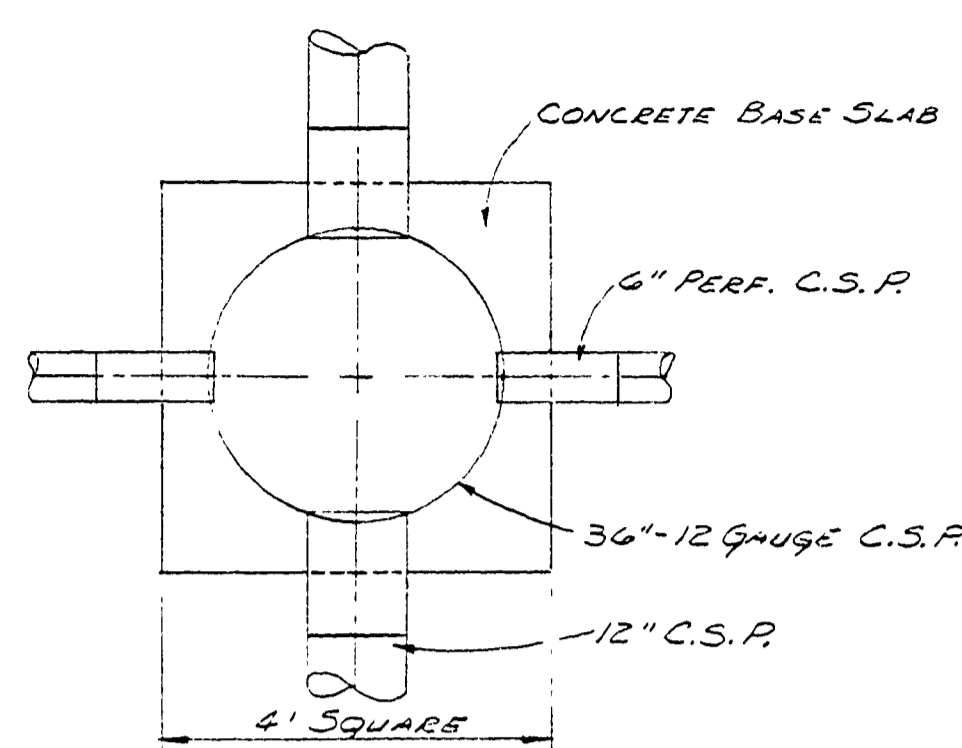


NOTE: THICKNESS OF CONCRETE TO BE ADJUSTED TO PROVIDE DRAINAGE AT EXISTING GROUND LEVEL

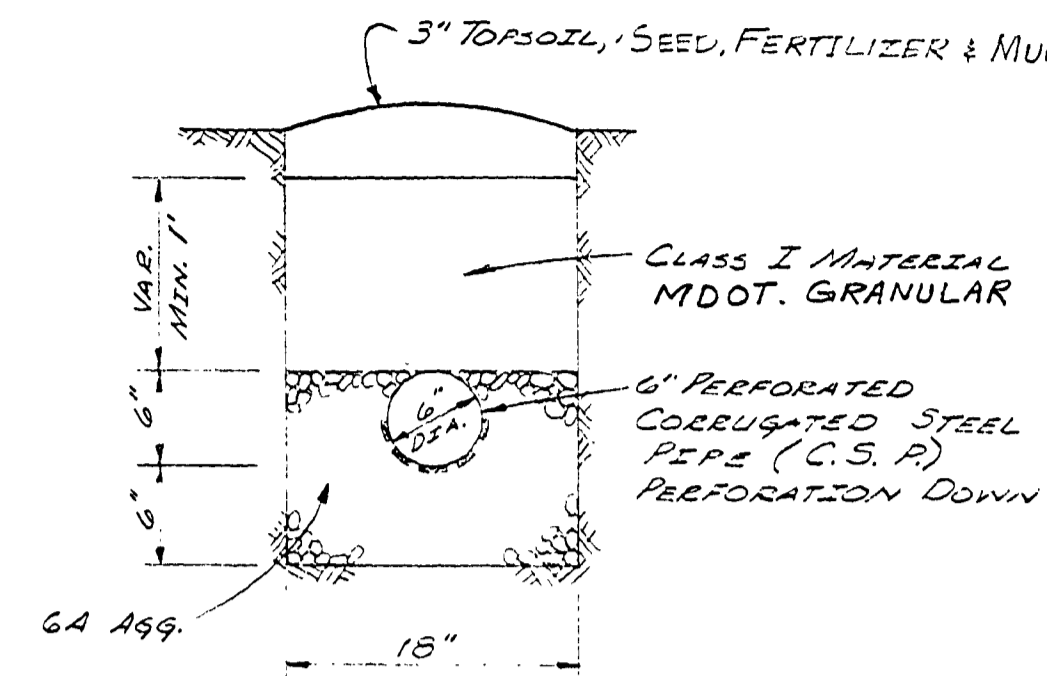


NOTE:
 TYPE A Two (2) 6" PERF. C.S.P. GOING INTO THE C.B., ONE (1) 12" C.S.P. GOING INTO THE C.B., ONE (1) 12" C.S.P. GOING OUT OF THE C.B.
 TYPE B SAME AS TYPE A WITH THE EXCEPTION OF NO 12" C.S.P. COMING INTO THE C.B.
 TYPE IB 2 REQ'D.
 TYPE IIB 1 REQ'D.
 TYPE IIA 3 REQ'D.
 TYPE IIB 1 REQ'D.
 TYPE IIIA 1 REQ'D.
 TYPE IIIA 1 REQ'D.
 TYPE IIIA 1 REQ'D.
 TYPE IIIA 1 REQ'D.
 TYPE IIIA 1 REQ'D.
 TYPE IIIA 1 REQ'D.

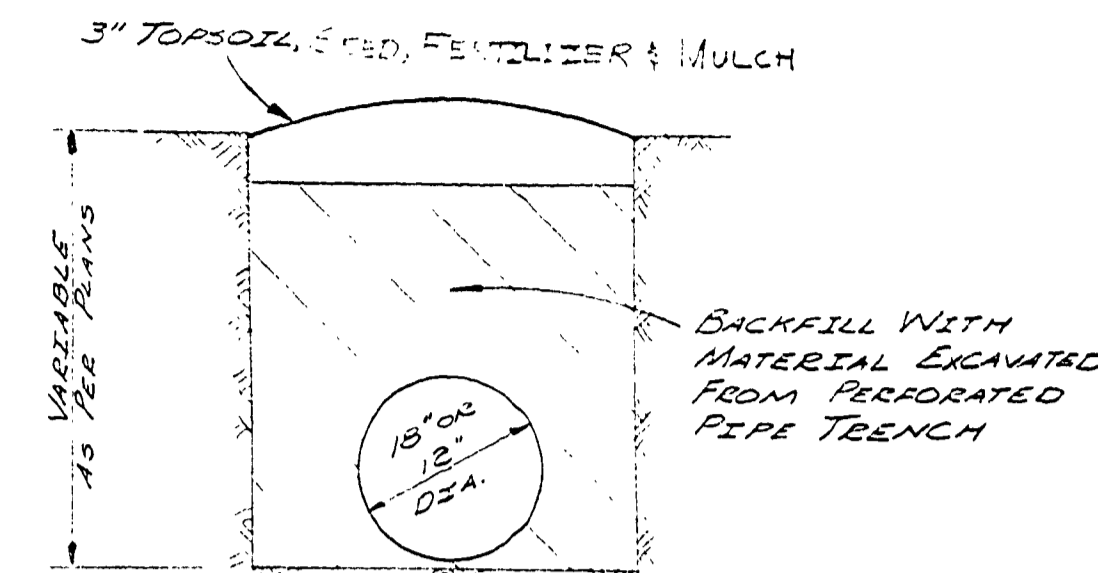
CROSS SECTION CATCH BASIN
 10 REQ'D. (SEE NOTE FOR TYPES)
 SCALE: 1/2" = 1'-0"



TOP VIEW OF CATCH BASIN
 SCALE: 1/2" = 1'-0"

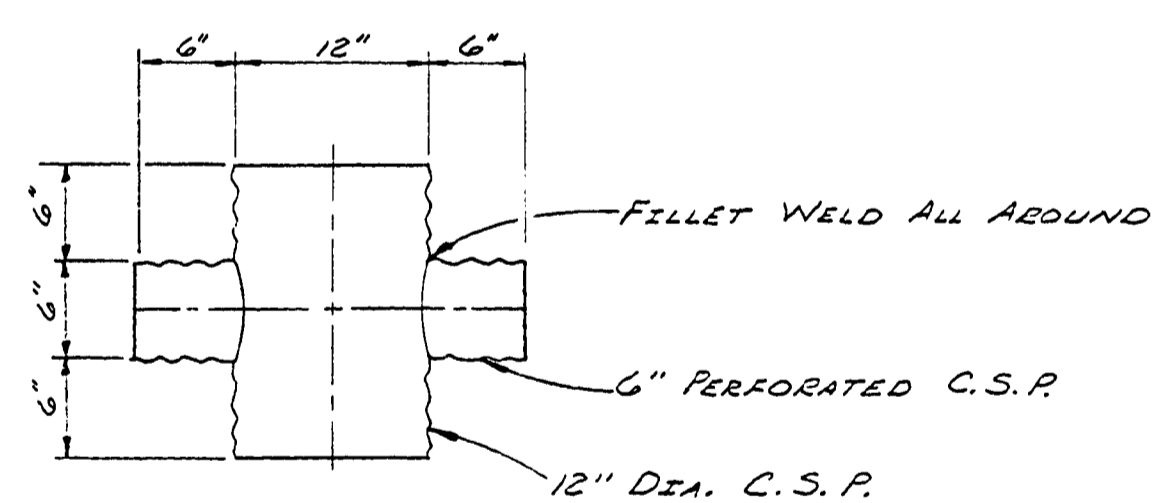


PERFORATED PIPE TRENCH
 SCALE: 1" = 1'-0"

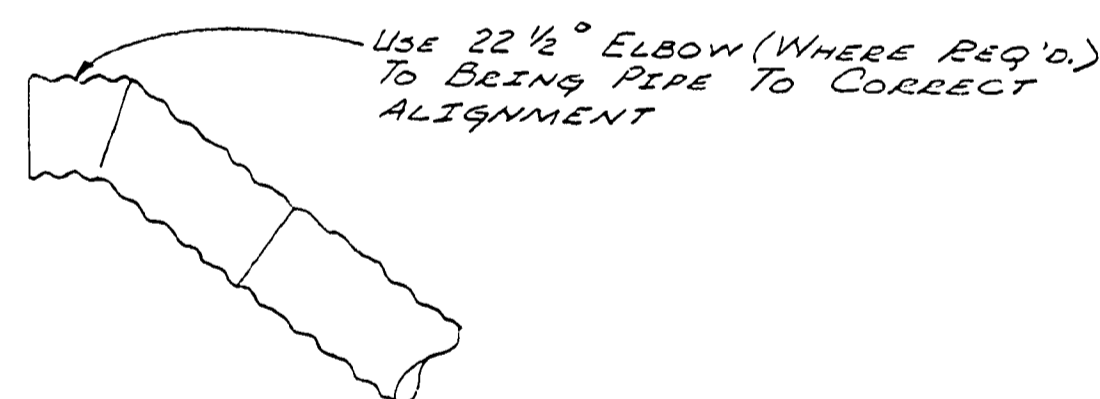


NOTE: PLACE 4 INCHES OF 22-A AGG. IN LIEU OF TOPSOIL UNDER ALL ROADWAYS.

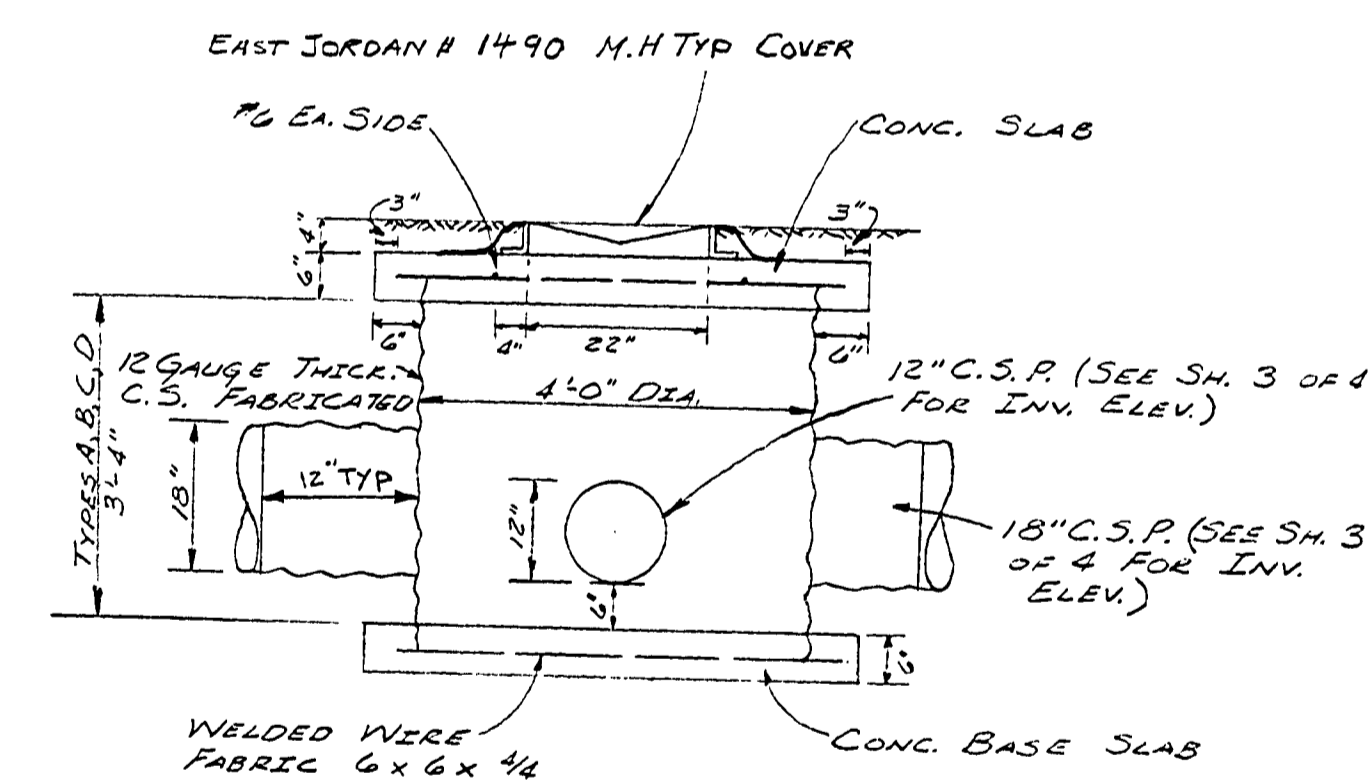
NON-PERFORATED PIPE TRENCH
 SCALE: 1" = 1'-0"



TYPICAL CROSS SHOP FABRICATED C.S.P. FITTING
 USE WHEREVER SHOWN ON PLANS
 17 REQ'D.
 SCALE: 1" = 1'-0"



SHOP FABRICATED 2 PIECE ELBOW
 NO SCALE



CROSS SECTION MANHOLE
 4 REQ'D. (SEE NOTES FOR TYPES)
 SCALE: 1/2" = 1'-0"

NOTE: THREE TYPES WITH 12" C.S.P. COMING IN AND 18" C.S.P. ON BOTH SIDES COMING IN AND GOING OUT WITH THE EXCEPTION OF ONE (TYPE A), NO 18" C.S.P. COMING IN

SURVEYED BY G. BILOW	7-79	DRAWN BY S. BANDY	8-79	NO.	DATE	BY	REVISIONS	NO.	DATE	BY	REVISIONS	MICHIGAN DEPARTMENT OF NATURAL RESOURCES	DRAINAGE SYSTEM DETAILS	ALGONAC STATE PARK AREA OR PARK	PROJECT NO. 24-2022
DESIGNED BY B. PIROOZ	8-79	CHECKED BY		1.				3.					PAVING & DRAINAGE SYSTEM PROJECT		SHEET 4 OF 4 PLAN NO. E 117
	DATE		DATE	2.				4.							