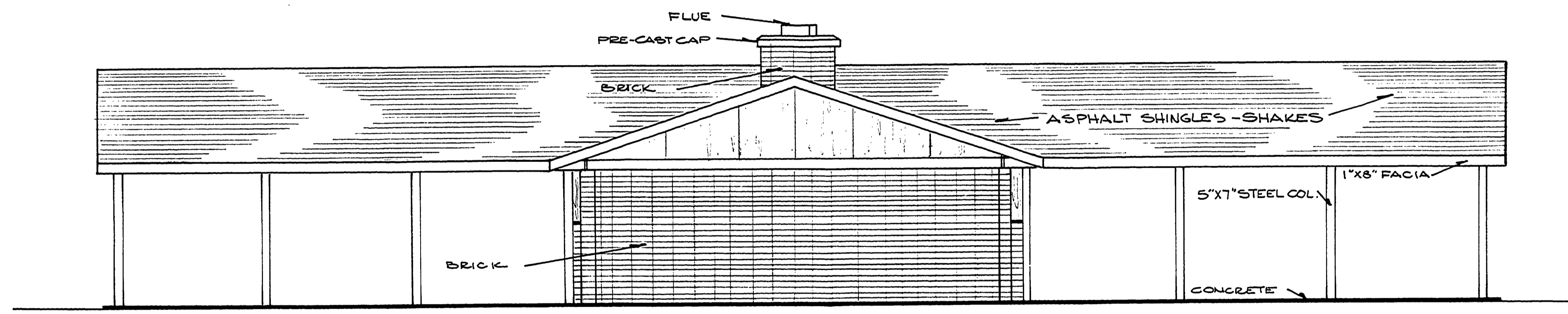
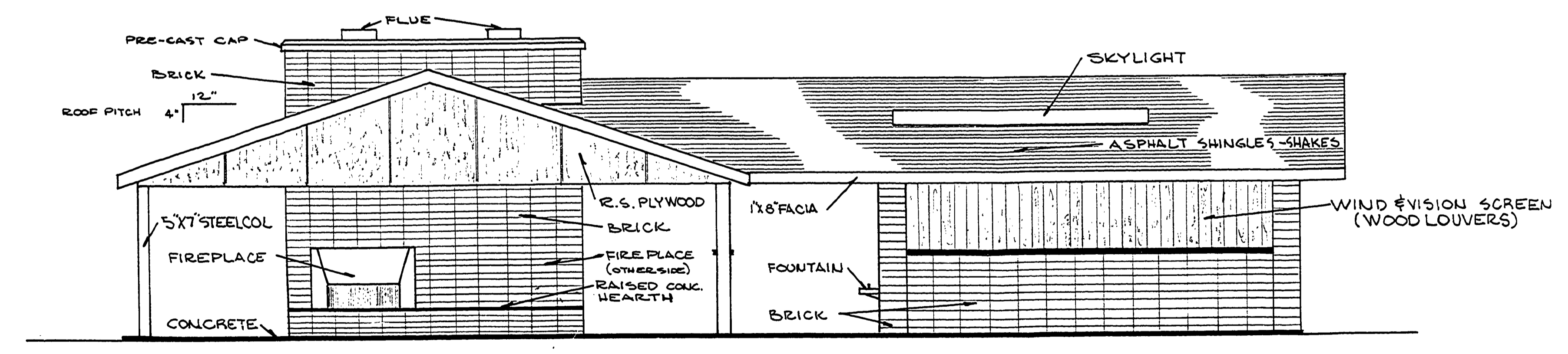


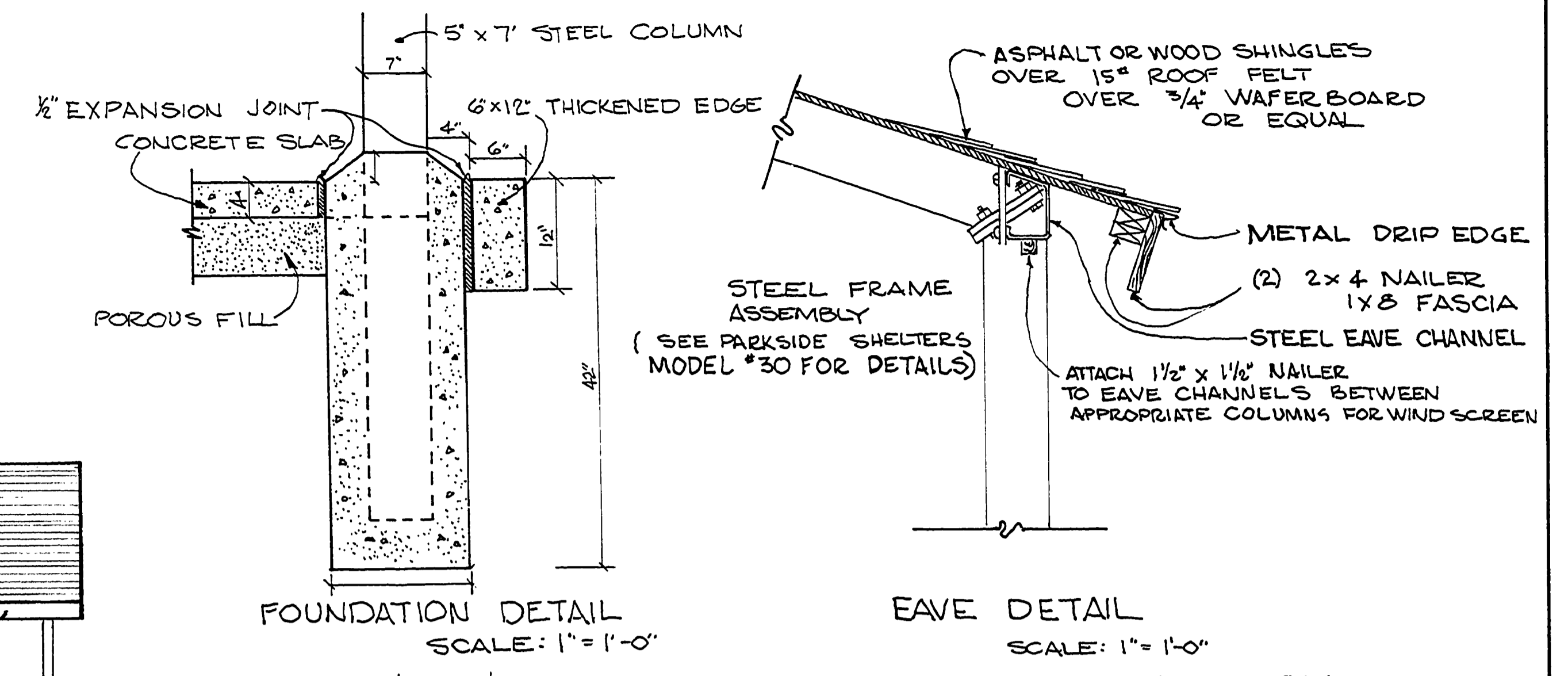
northwest elevation
SCALE: 1/4 INCH EQUALS 1 FOOT



southeast elevation
SCALE: 1/4 INCH EQUALS 1 FOOT

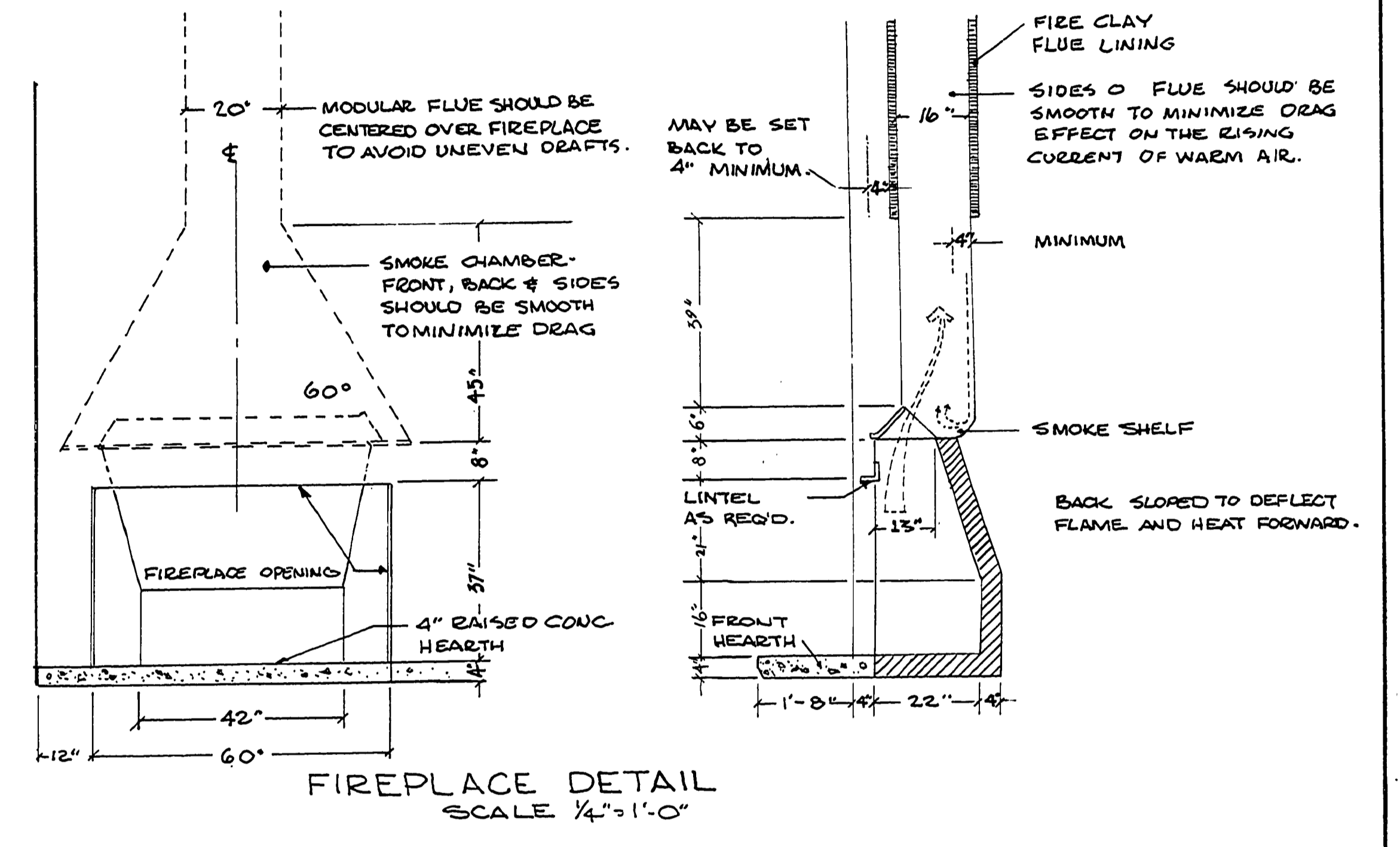


northeast elevation
SCALE: 1/4 INCH EQUALS 1 FOOT

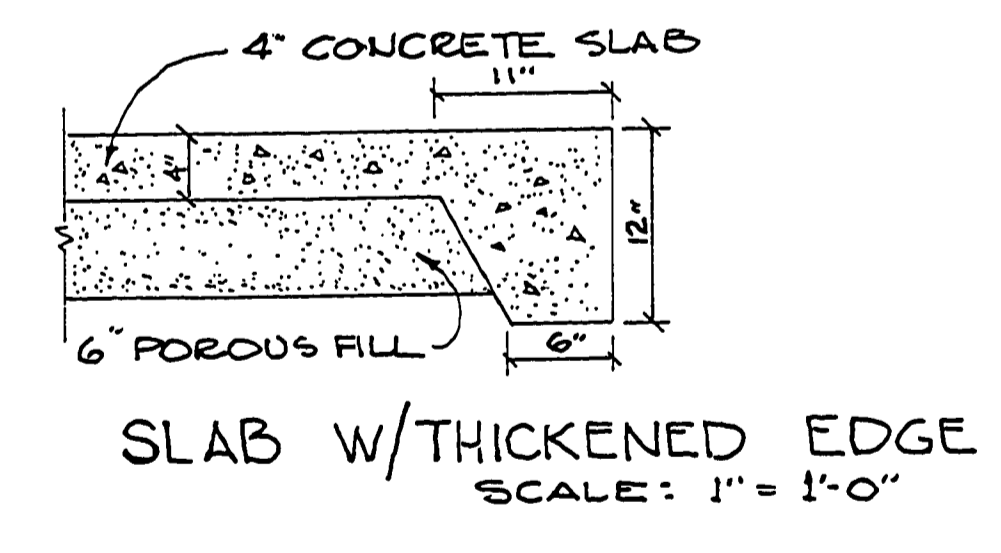


FOUNDATION DETAIL
SCALE: 1" = 1'-0"

EAVE DETAIL
SCALE: 1" = 1'-0"



FIREPLACE DETAIL
SCALE 1/4" = 1'-0"



SLAB W/THICKENED EDGE
SCALE: 1" = 1'-0"

details

BAY CITY STATE PARK

SURVEYED BY	DRAWN BY B. HELMIC	1981	NO.	DATE	BY	REVISIONS	NO.	DATE	BY	REVISIONS	MICHIGAN DEPARTMENT OF NATURAL RESOURCES	ELEVATIONS & DETAILS	AREA OR PARK BAY CITY STATE PARK	PROJECT NO.
DESIGNED BY B. HELMIC	CHECKED BY		1.				3.					SHEET TITLE	DAY USE PICNIC SHELTER-TOILET PROJECT	SHEET 3 OF 3
DATE	DATE	DATE	2.				4.							PLAN NO. L-116