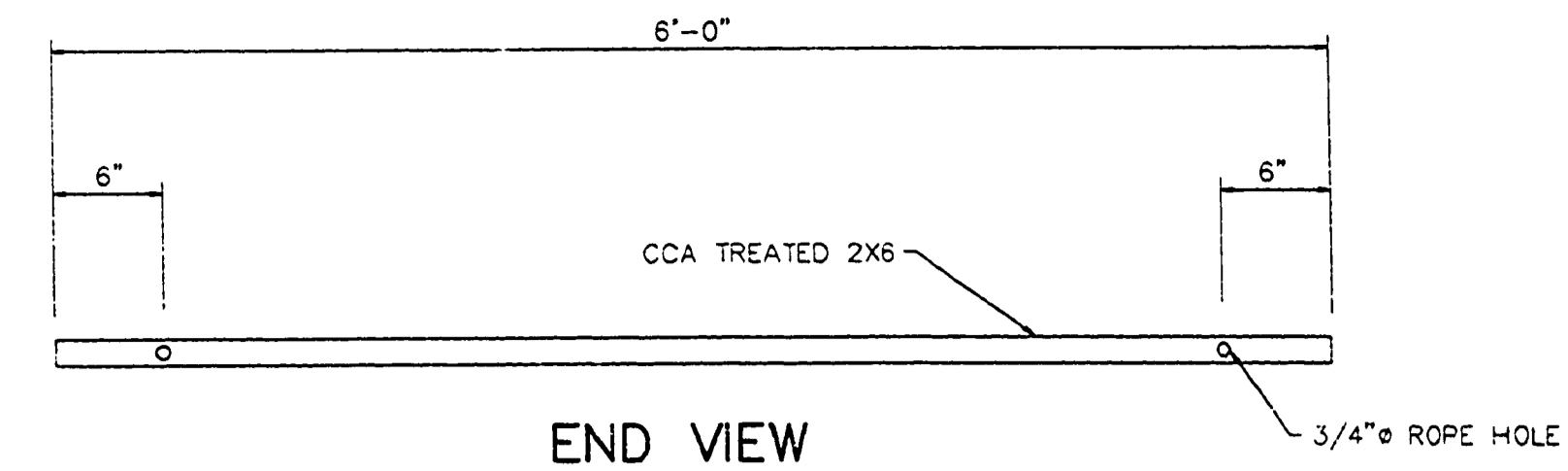
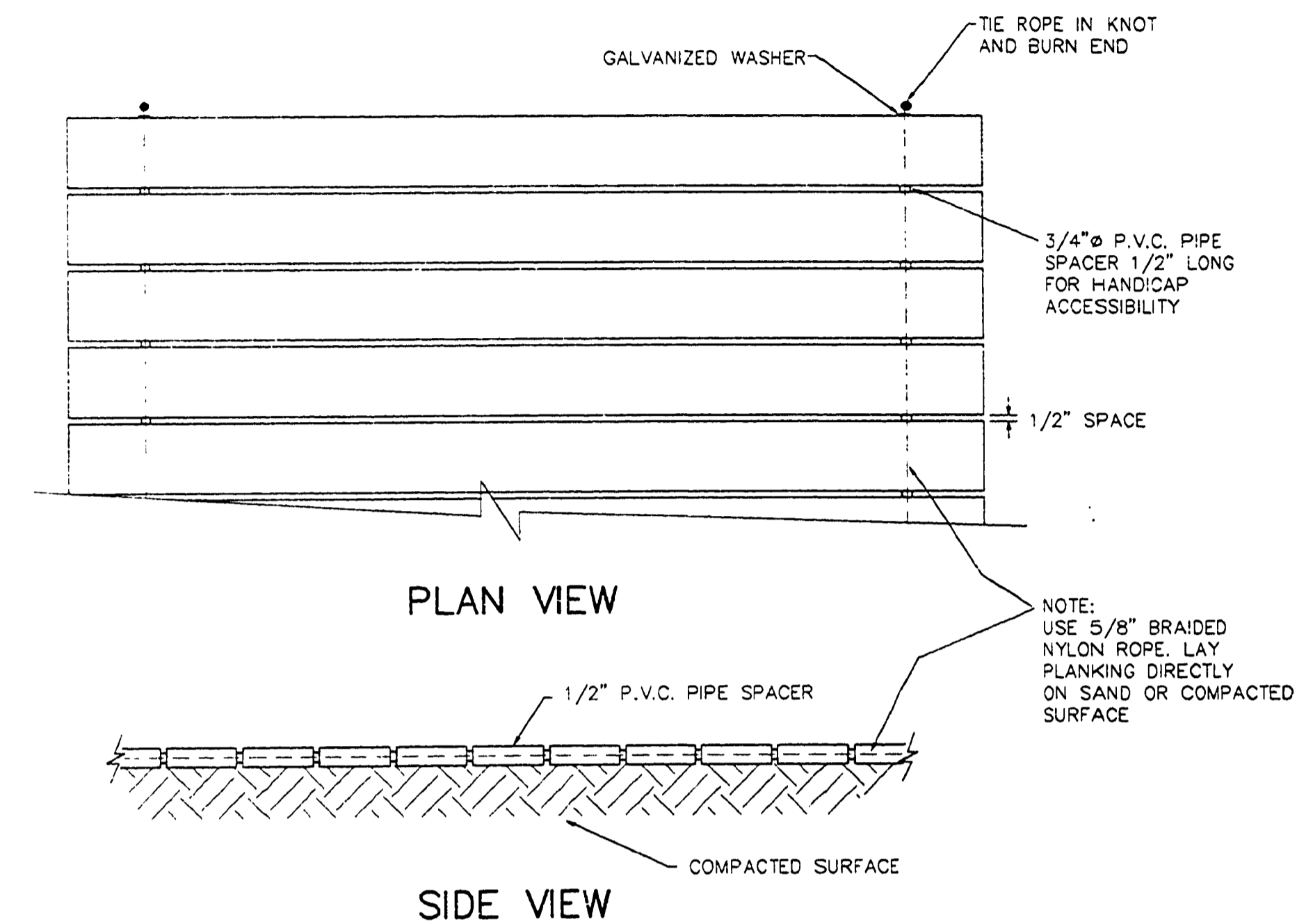


**PROPOSED FOOT BRIDGE AND LOOKOUT  
FRAMING PLAN VIEW**

SCALE 1/2"=1'-0"



**END VIEW**

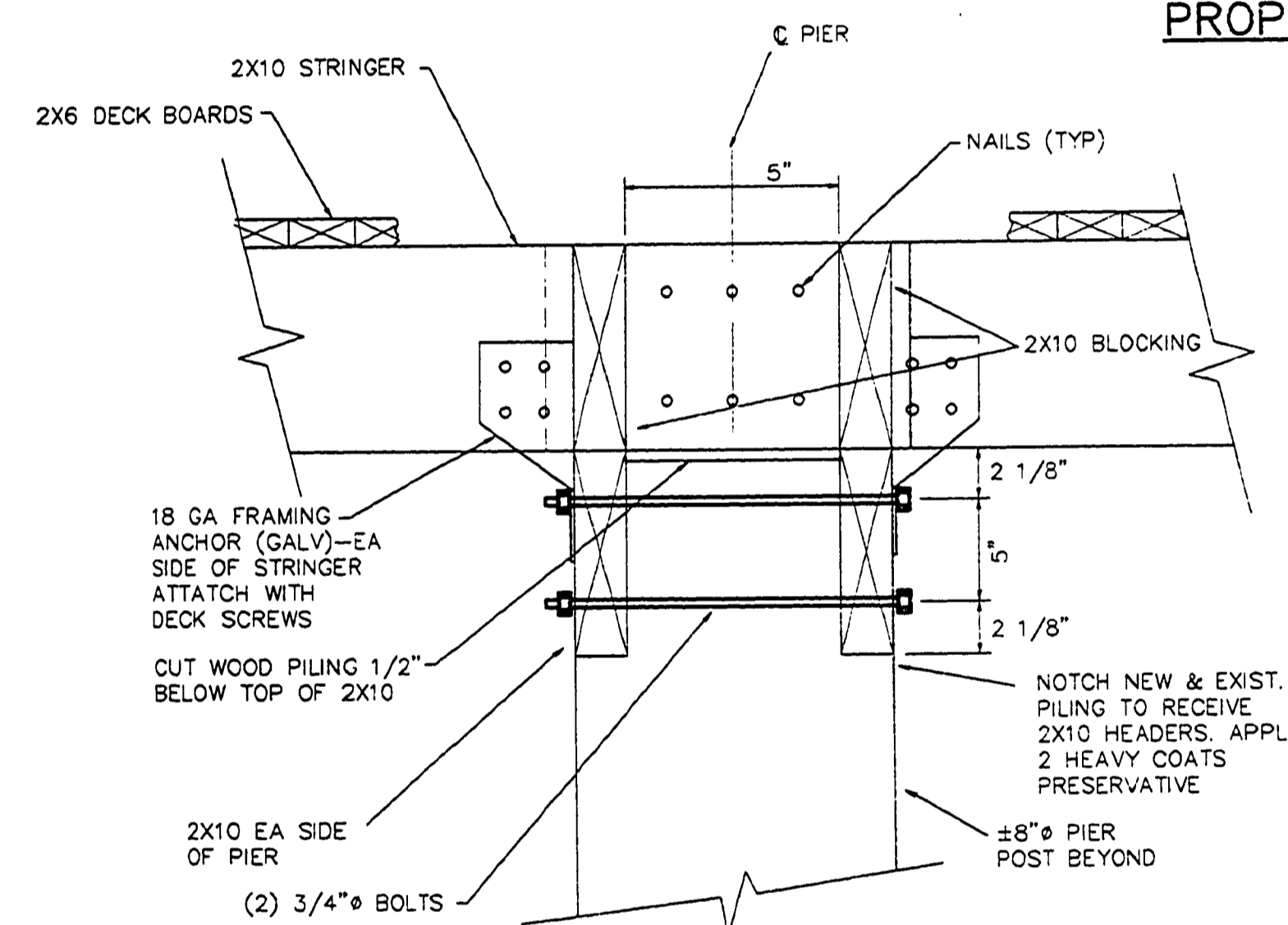


**PLAN VIEW**

**SIDE VIEW**

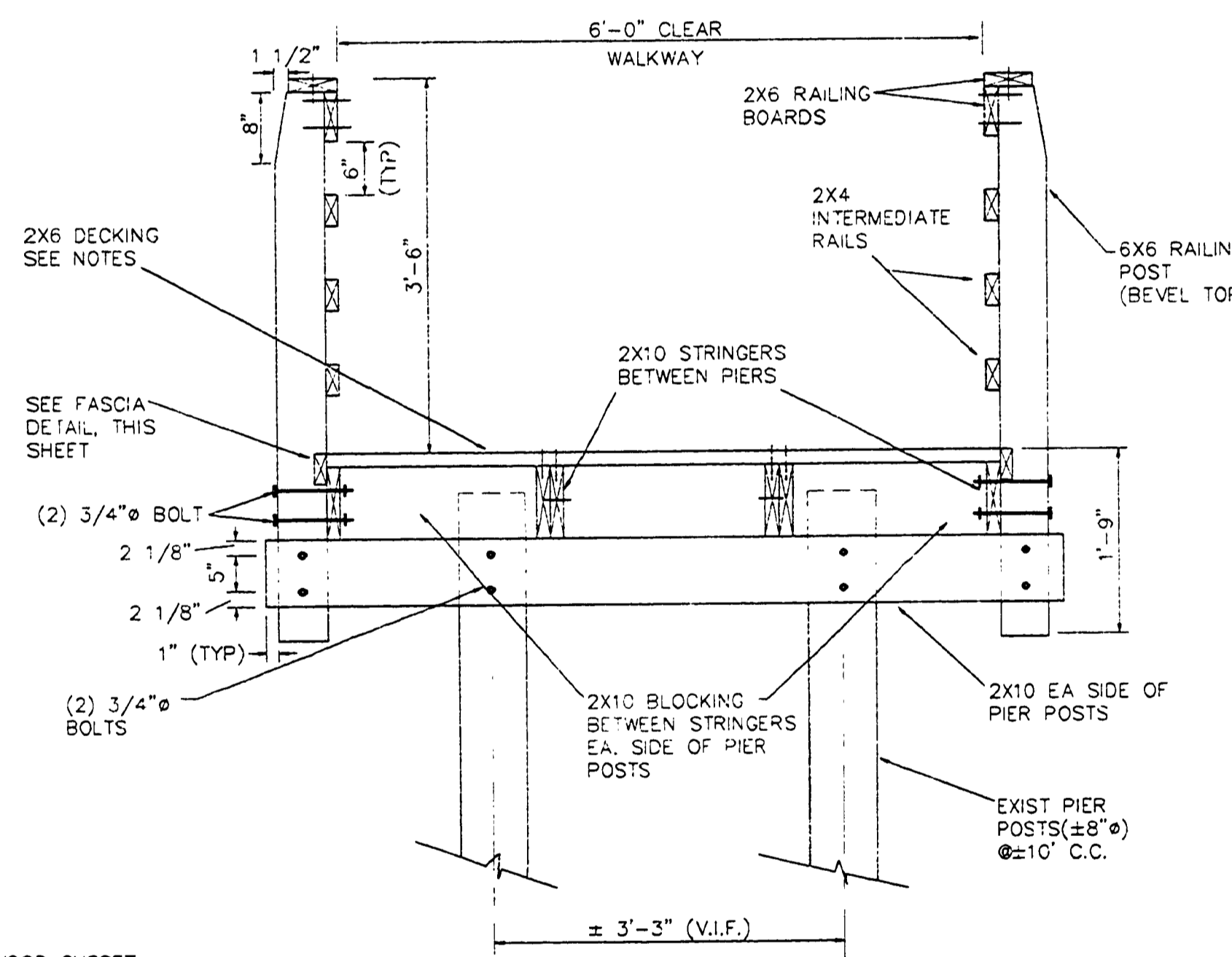
**SURFACE BOARDWALK DETAIL**

NO SCALE



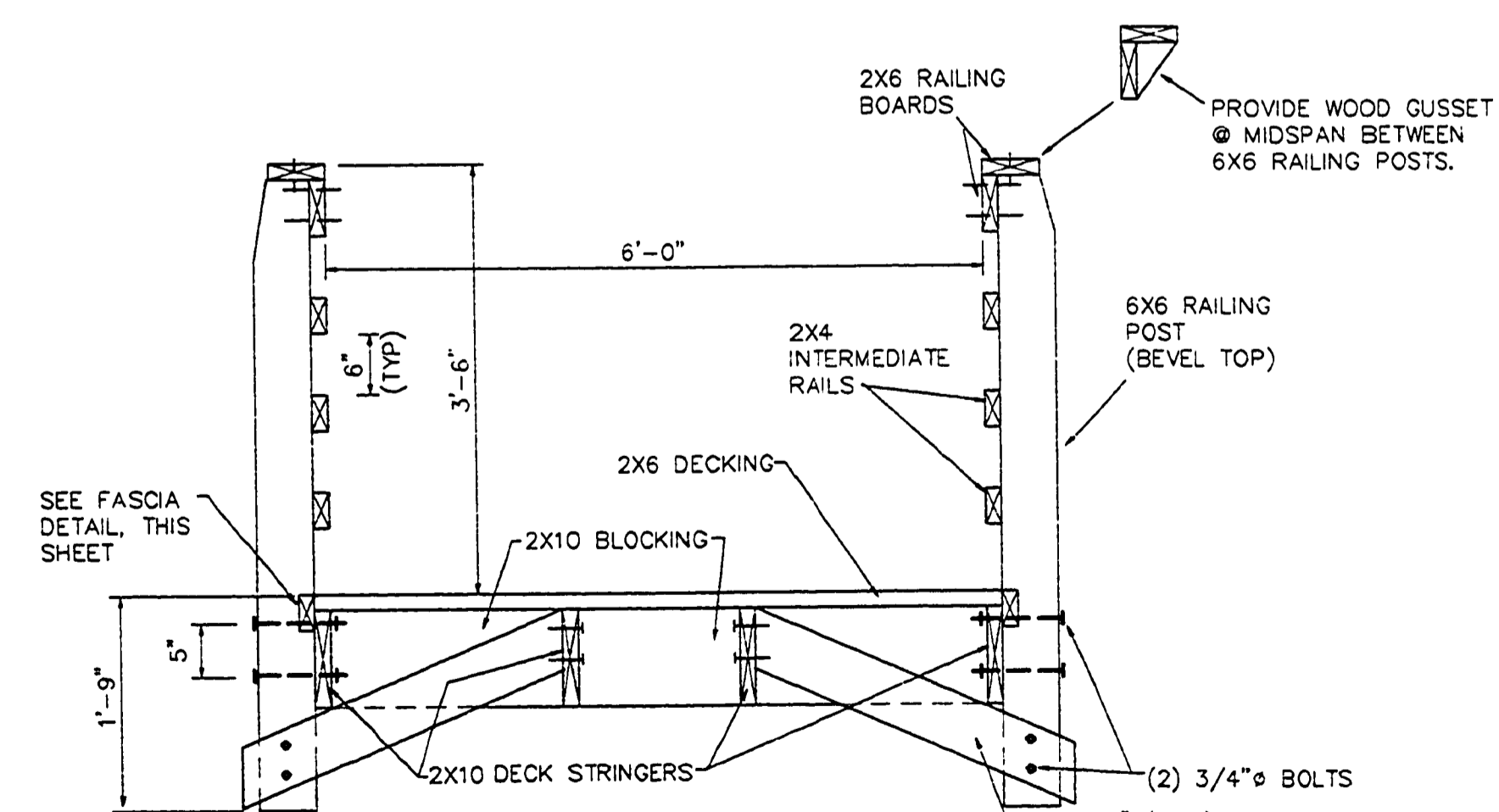
**SECTION C-C  
INTERIOR STRINGER ATTACHMENT @ PIERS**

NO SCALE



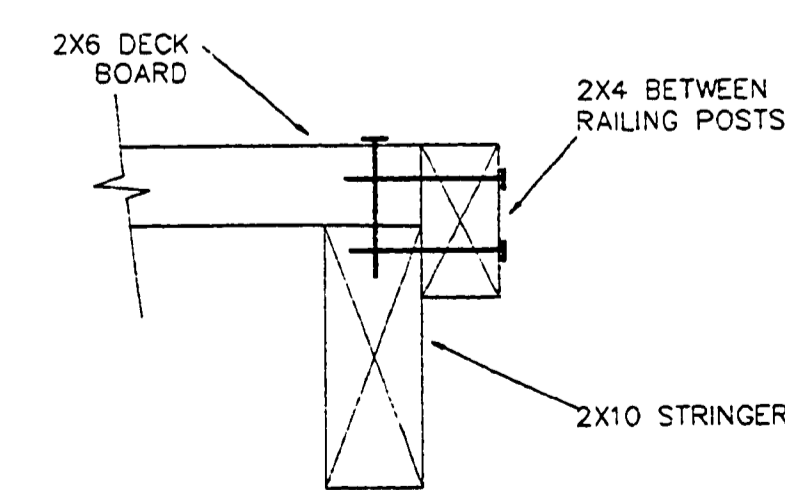
**SECTION A-A  
PROPOSED FOOT BRIDGE**

3/4"=1'-0"



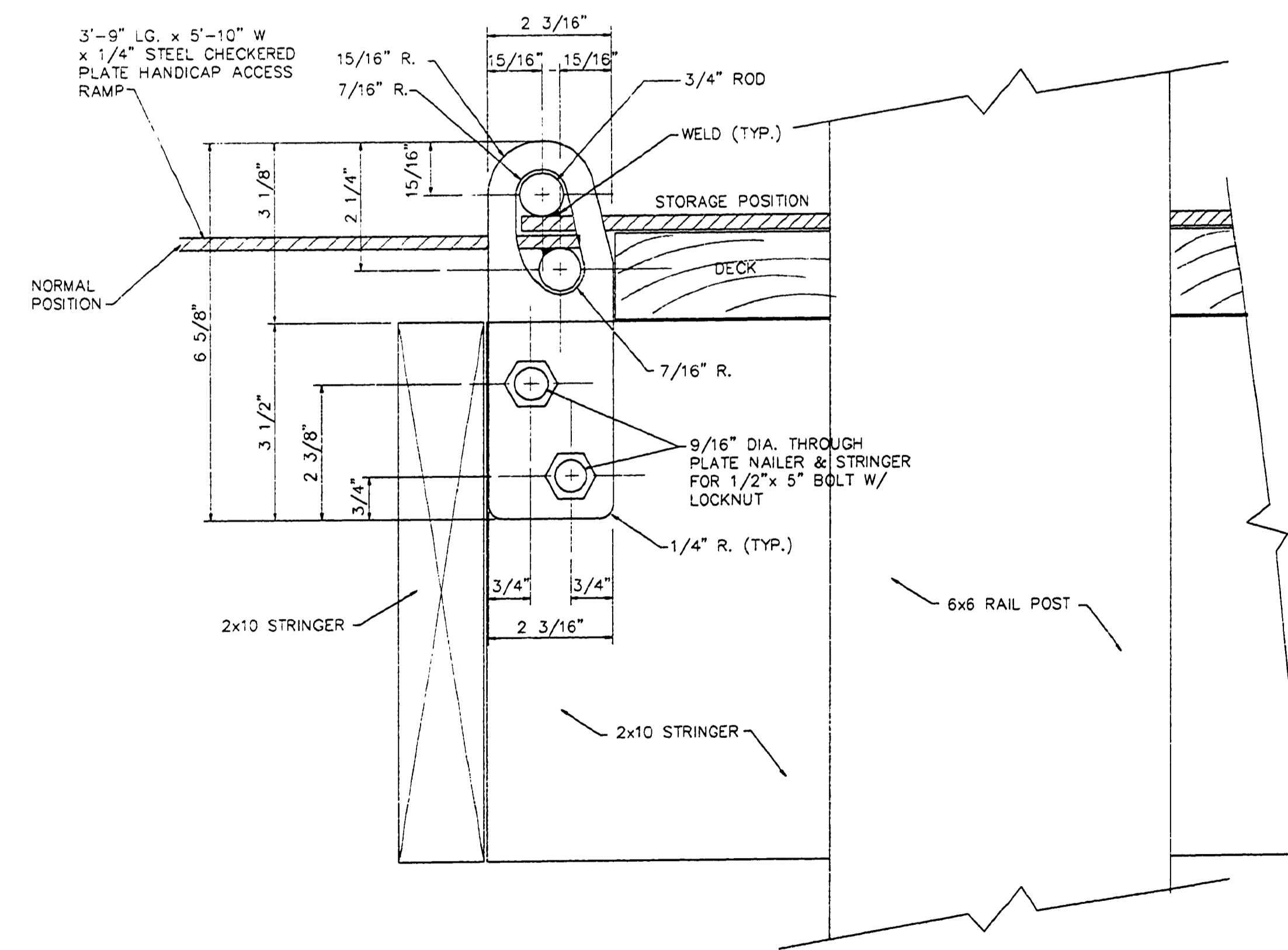
**SECTION B-B  
PROPOSED FOOT BRIDGE**

3/4"=1'-0"



**TYPICAL FASCIA DETAIL**

NO SCALE



**HINGE PLATE DETAIL FOR  
HANDICAP ACCESS RAMP**

1/2" = 1"

7-25-91  
015501

DRN BY:	DL
DESIGN BY:	GSR
CHECK BY:	GDA
APP'D BY:	



STATE OF MICHIGAN  
DEPARTMENT OF MANAGEMENT AND BUDGET  
**Office of Facilities**

QUALITY OF LIFE RECREATION BOND  
MICHIGAN DEPARTMENT OF NATURAL RESOURCES  
PARKS DIVISION - STATE ACCT. NO. 607-75-2450-400

BAY CITY STATE PARK  
FOOT BRIDGE DETAILS

L-122  
SCALE: AS SHOWN  
PROJ. NO.: 90135  
SHEET 3 OF 3