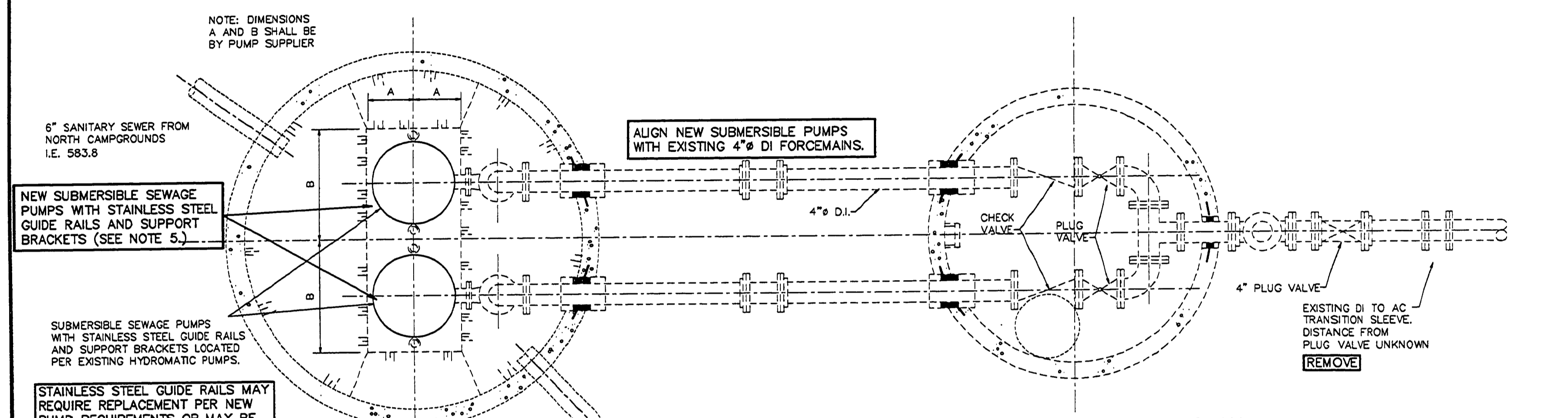
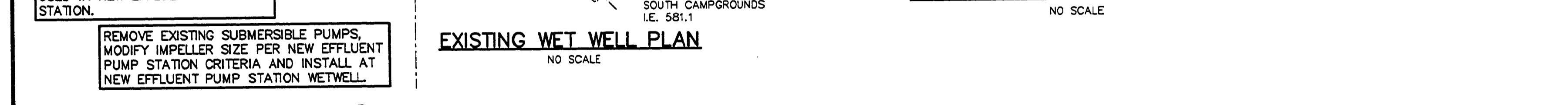


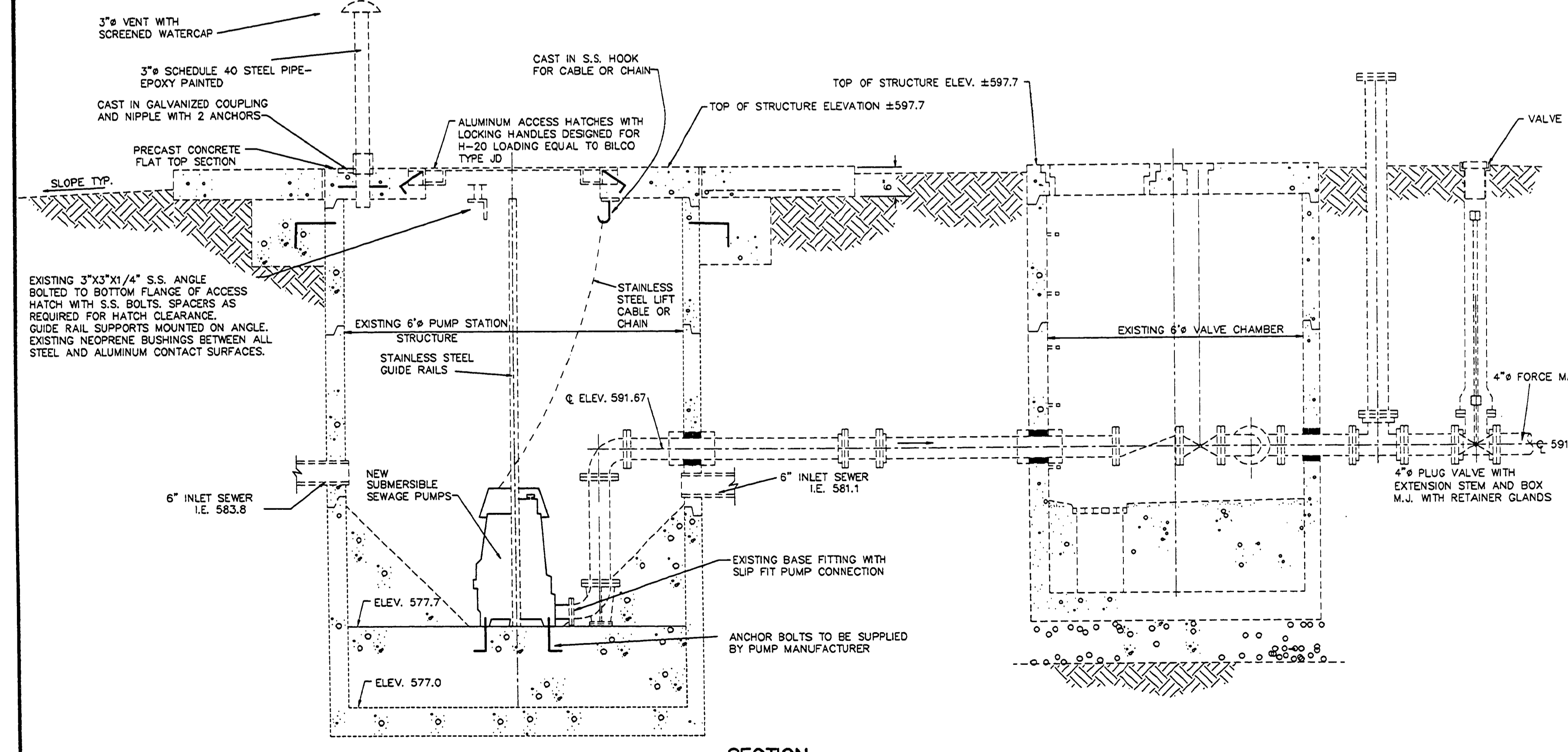
TOP VIEW - EXISTING PUMP STATION & CONCRETE APRON  
NO SCALE



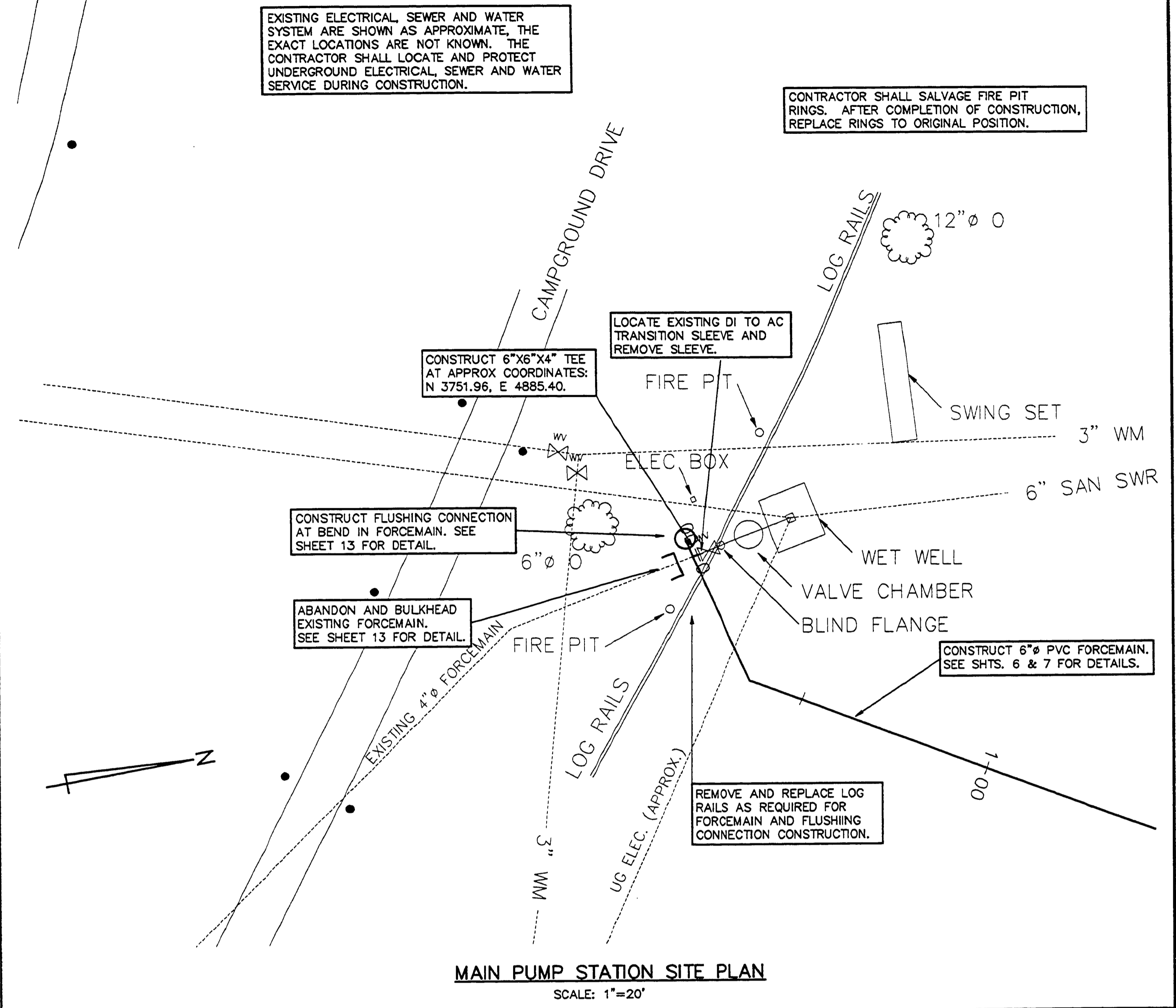
EXISTING VALVE CHAMBER PLAN  
NO SCALE



EXISTING WET WELL PLAN  
NO SCALE



SECTION  
NO SCALE



MAIN PUMP STATION SITE PLAN  
SCALE: 1"=20'

**GENERAL CONSTRUCTION NOTES**

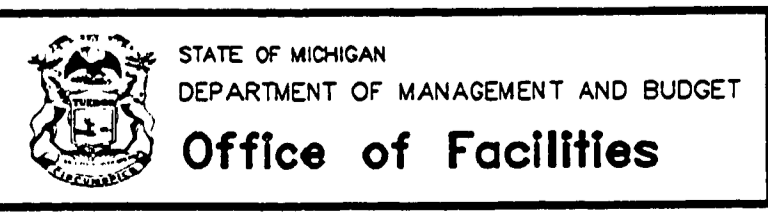
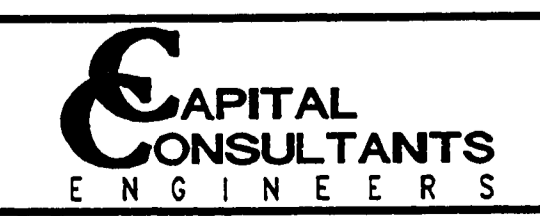
1. THE CONTRACTOR SHALL MAINTAIN SANITARY SERVICE DURING CONSTRUCTION OF THE IMPROVEMENTS WHILE THE PARK IS OPEN. THE CONTRACTOR SHALL PROVIDE ALL NECESSARY TEES, VALVES AND CONNECTIONS FOR CONTINUAL WASTEWATER SERVICE. THE CONTRACTOR'S PROPOSED MEANS TO ENSURE CONTINUED SERVICE SHALL BE REVIEWED AND COORDINATED BY THE PROJECT MANAGER.
2. EQUIPMENT AND PIPING REMOVED FROM THE EXISTING PUMP STATION SHALL BE REMOVED FROM THE PARK SITE WITHIN THE SAME WORKING DAY. THE EXISTING PUMPS SHALL BE STORED ON-SITE AT AN AREA APPROVED BY THE PROJECT MANAGER.
3. UNLESS OTHERWISE NOTED, RESTORE ALL AREAS DISTURBED BY CONSTRUCTION WITH TOPSOIL, SEED, FERTILIZER AND MULCH IN ACCORDANCE WITH SECTION 02901 OF THE SPECIFICATIONS. ALL AREAS SHALL BE SEEDDED WITH MDOT CLASS "A" SEED MIXTURE.
4. THE CONTRACTOR SHALL REMOVE AND REPLACE THE EXISTING SUBMERSIBLE SEWAGE PUMPS, AND MAKE ANY AND ALL CHANGES FOR A COMPLETE AND OPERATIONAL PUMP STATION. COSTS FOR ALL NECESSARY CHANGES SHALL BE INCLUDED.
5. THE EXISTING PUMPS AND SLIDE RAIL SYSTEM IS MANUFACTURED BY "HYDROMATIC". SHOULD THE CONTRACTOR USE ANOTHER PUMP MANUFACTURER FOR THE IMPROVEMENTS, REPLACEMENT OF THE FOLLOWING ITEMS, BUT NOT LIMITED TO, MAY BE REQUIRED:
  1. PUMP BASE FITTINGS
  2. SLIDE RAILS AND BRACKETS
  3. ACCESS HATCH
 REGARDLESS OF THE SELECTED PUMP MANUFACTURER, THE CONTRACTOR SHALL MODIFY THE EXISTING STATION AS REQUIRED TO SUPPLY A COMPLETELY FUNCTIONAL AND OPERATIONAL STATION.

**ELECTRICAL CONSTRUCTION NOTES**

1. CONTRACTOR SHALL DISCONNECT THE TWO EXISTING 5 H.P. PUMPS TAKING CARE NOT TO DAMAGE THE CABLES, PUMP/MOTOR UNIT, AND OTHER ASSOCIATED EQUIPMENT. THESE PUMP/MOTOR UNITS SHALL BE INSTALLED AT THE NEW EFFLUENT IRRIGATION PUMP STATION.
2. CONTRACTOR SHALL FURNISH AND INSTALL THE NEW 7 1/2 H.P. PUMP/MOTOR UNITS. PROVIDE NEW RACEWAY SEALOFFS PER THE NATIONAL ELECTRICAL CODE.
3. CONTRACTOR SHALL PROVIDE AND INSTALL NEW 3-POLE, 50 amp BRANCH CIRCUIT BREAKERS FOR THE NEW PUMP/MOTOR UNITS. REMOVE THE EXISTING 3-POLE, 30 amp CIRCUIT BREAKERS IN THE PUMP STATION SERVICE ENCLOSURE AND INSTALL THE NEW 50 amp CIRCUIT BREAKERS IN THEIR PLACE.
4. CONTRACTOR SHALL INSTALL NEW MOTOR STARTER FEEDER CONDUCTORS BETWEEN THE MAIN CIRCUIT BREAKER AND THE STARTERS (LINE SIDE). ALSO, THE CONTRACTOR SHALL UPGRADE CONDUCTORS BETWEEN THE STARTER (LOAD SIDE) AND THE PUMP FEEDER CABLES TERMINAL STRIP. NEW CONDUCTORS SHALL BE #8 AWG. AND INSTALLED PER N.E.C.

FLOAT CONTROL ELEVATIONS (EXIST)		PIPING SCHEDULE
DESIGNATION	ELEVATION	
LOW WATER LEVEL ALARM	580.0	ALL INTERIOR PUMP DISCHARGE PIPING SHALL BE FLANGED DUCTILE IRON PER SPECIFICATION 15110  FORCEMAIN - DOWNSTREAM OF THE EXTERIOR PLUG VALVE - SHALL CONFORM TO SPECIFICATION 02717  ALL VALVES TO OPEN COUNTER-CLOCKWISE
PUMPS OFF	580.5	
LEAD PUMP ON	581.5	
LAG PUMP ON	582.0	
HIGH WATER LEVEL ALARM	583.0	

DRN BY: PMR/KM	IDENTIFICATION NO.	ISSUED FOR	DATE	REVISED PER COMMENTS
DES. BY: KM/MJM	PROJECT - ALOHA	PRELIMINARY	11-30-93	
CHK BY: GDA	STATE ACCOUNT	CONSTRUCTION	1-31-94	
APP'D BY: GDA	607-75-2450-400	FINAL RECORD		



QUALITY OF LIFE RECREATION BOND  
MICHIGAN DEPARTMENT OF NATURAL RESOURCES  
PARKS DIVISION - STATE ACCT. NO. 607-75-2450-400

ALOHA STATE PARK  
MAIN PUMP STATION AND ELECTRICAL  
MODIFICATION DETAILS

SCALE: AS NOTED  
PROJ. NO.: 90134  
SHEET 5 OF 13

FILE NO: 034PFST  
PLOT DATE: 12-28-93  
UPDATED BY: PMR

L-116