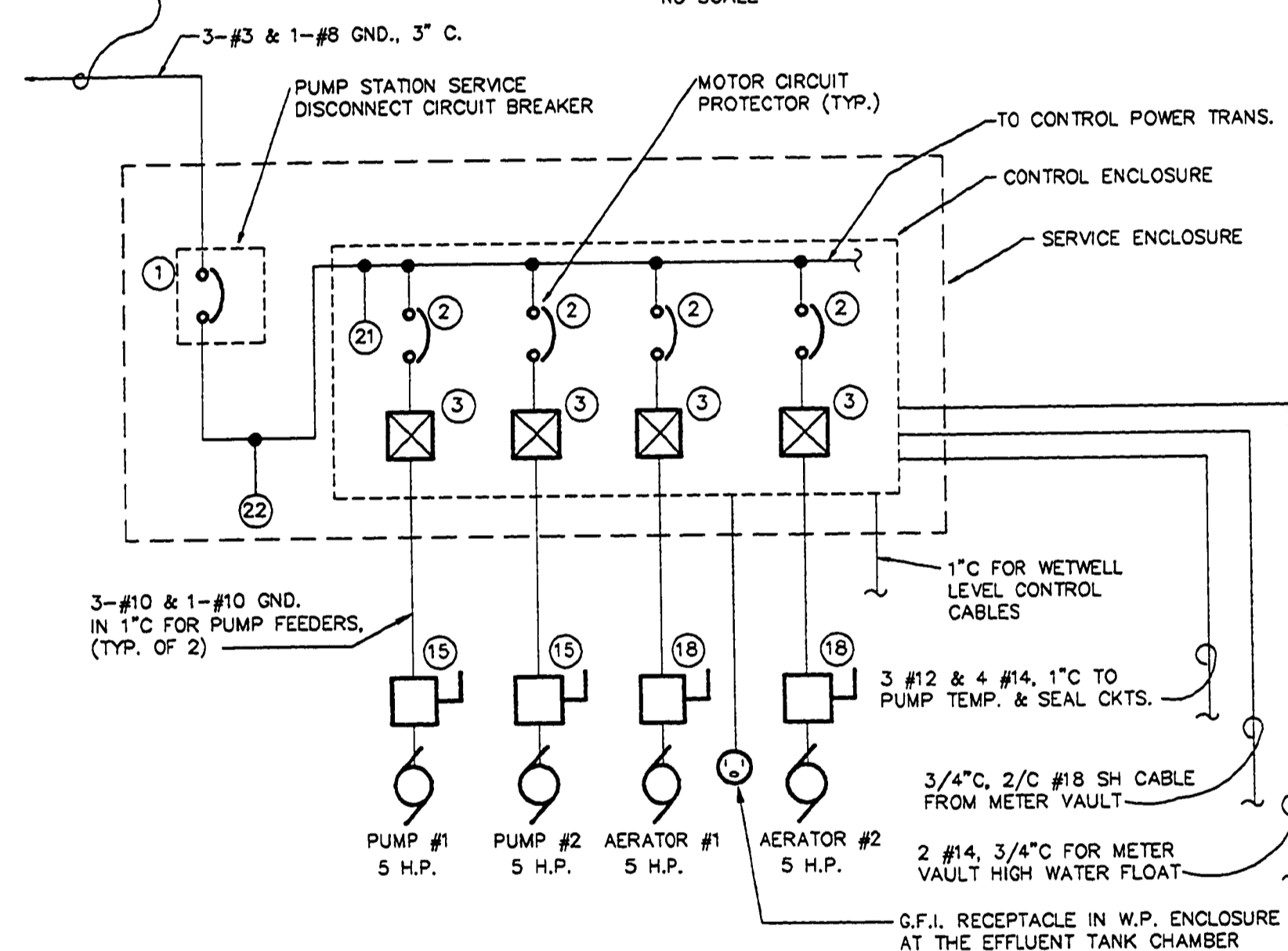


**SERVICE ENCLOSURE DETAIL**

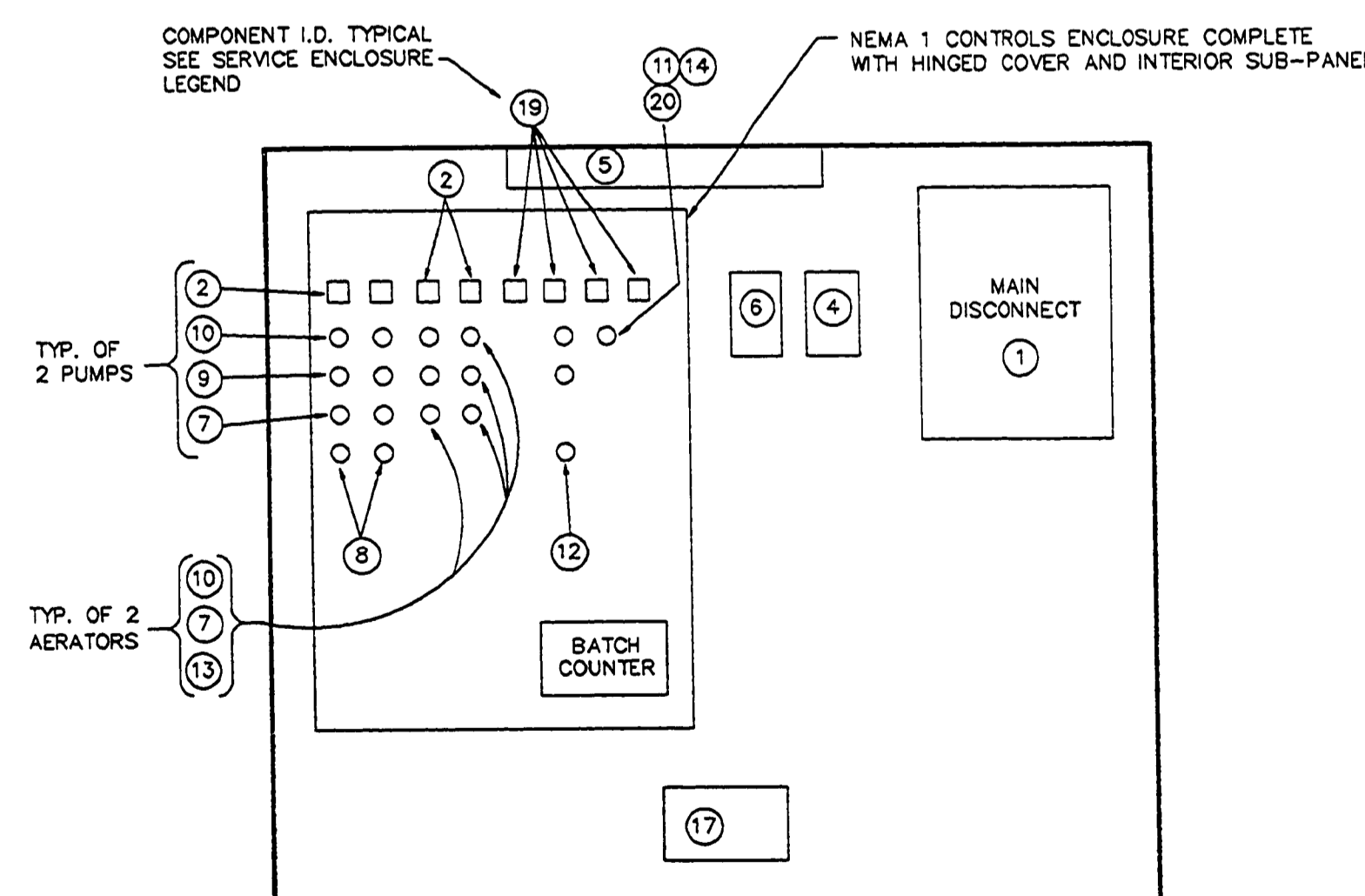
NO SCALE

100 AMP, 240V, 3Ø, 3W SERVICE FROM POWER POLE. SEE GENERAL SITE PLAN.



**ONE-LINE DIAGRAM**

NO SCALE



**TYPICAL SERVICE ENCLOSURE SUBPANEL LAYOUT DETAIL**

NO SCALE

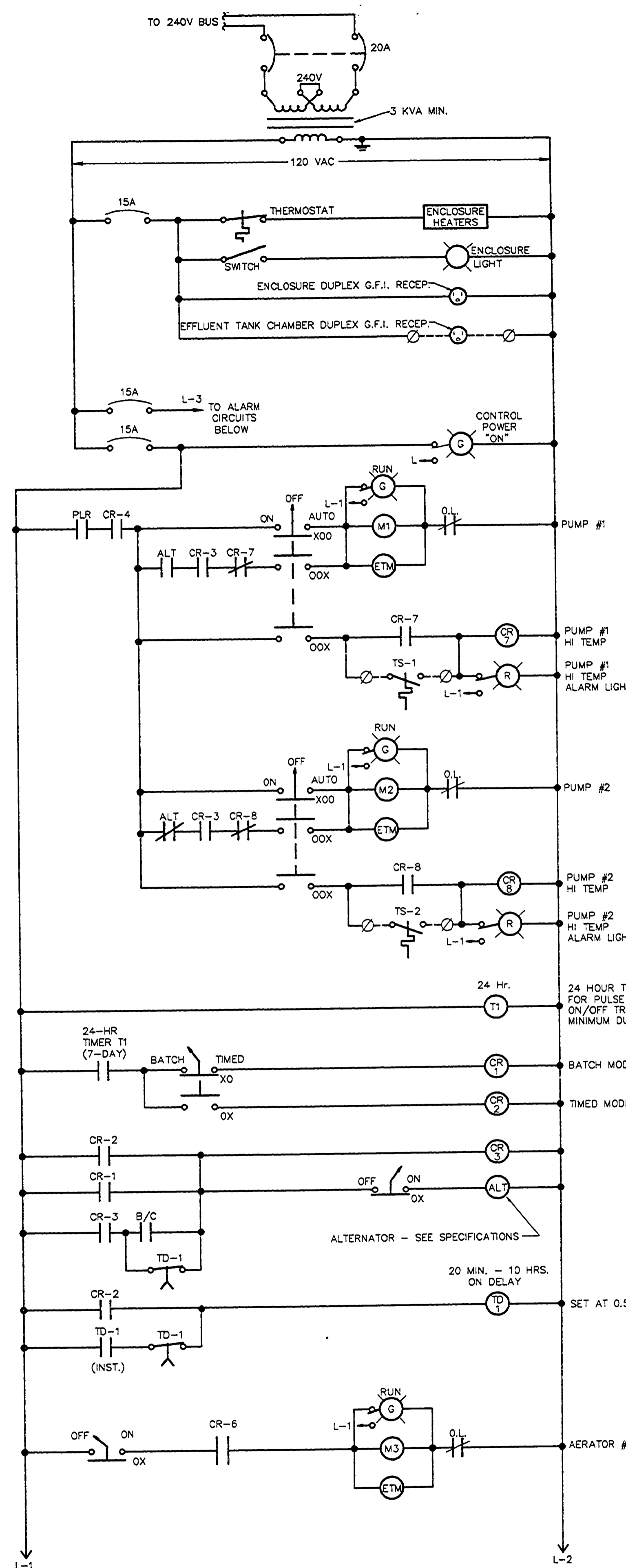
**SERVICE ENCLOSURE LEGEND**

COMP. I.D. (1)	DESCRIPTION	NOTES
1	100 AMP, 3 POLE, 240V ENCLOSED CIRCUIT BREAKER	1
2	3 POLE, 240V MOTOR CIRCUIT PROTECTOR, SIZE PER NEC	3, 4
3	MOTOR STARTER, RESET BUTTON THROUGH FACE OF CONTROL ENCLOSURE - SIZE PER NEC FOR APPROVED EQUIPMENT.	2, 3
4	LIGHT SWITCH AND COVER PLATE	--
5	TWO FOOT, 20W FLUORESCENT FIXTURE WITH THERMOPLASTIC LENS	--
6	DUPLEX RECEPTACLE (GF) AND COVER PLATE	--
7	"RUN" INDICATOR LIGHT	--
8	"HAND-OFF-AUTO" SELECTOR SWITCH	--
9	"PUMP HI TEMP" INDICATOR LIGHT	--
10	ELAPSED TIME METER	--
11	ALTERNATOR "OFF-ON" SELECTOR SWITCH	--
12	BATCH - TIMED SELECTOR SWITCH	--
13	AERATOR "OFF-ON" SELECTOR SWITCH	--
14	"ALARM TEST" BUTTON	--
15	NEMA 4X STAINLESS STEEL SAFETY SWITCH SIZED PER NEC, LOCATE AT PUMP WETWELL.	--
16	"ALARM SILENCE" BUTTON	--
17	CABINET HEATER AND THERMOSTAT	--
18	NEMA 4X STAINLESS STEEL SAFETY SWITCH SIZED PER NEC, LOCATE AT AERATION TANK.	--
19	CONTROL POWER CIRCUIT BREAKER	3,4
20	"CONTROL POWER ON" INDICATING LAMP	--
21	PHASE LOSS RELAY	3
22	SURGE ARRESTOR	--

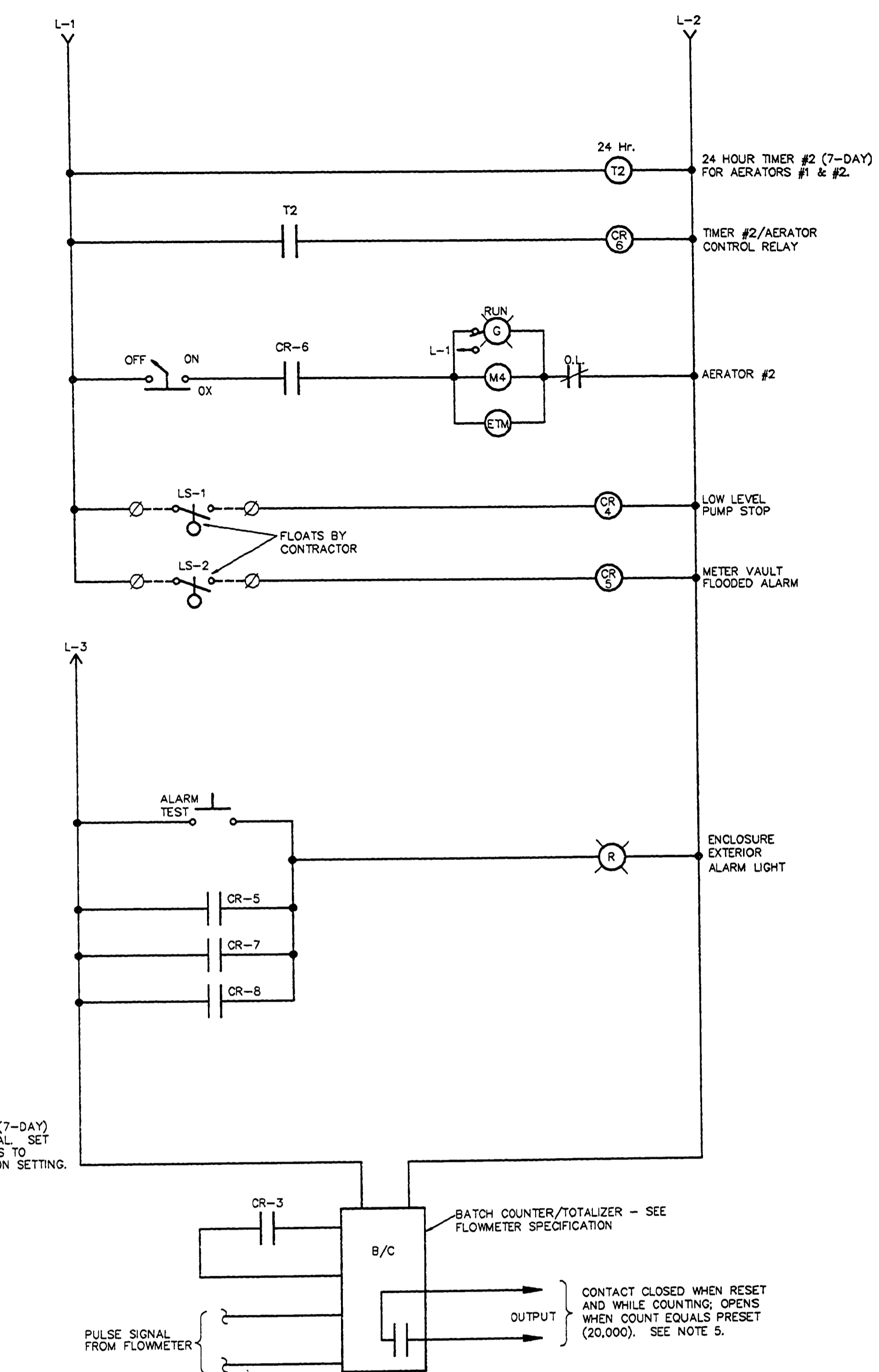
**NOTES:**

- ENCLOSED CIRCUIT BREAKERS SHALL BE LISTED AND LABELED AS SUITABLE FOR USE AS SERVICE EQUIPMENT.
- PROVIDE CIRCUIT BREAKER AND THERMAL OVERLOAD ELEMENTS (HEATERS) PER THE N.E.C. ARTICLE 430.
- MOUNT EQUIPMENT REFERENCED TO THIS NOTE ON SUB-PANEL OF CONTROLS ENCLOSURE. ALLOW MINIMUM OF TWENTY PERCENT SPACE ON SUB-PANEL FOR FUTURE EQUIPMENT.
- CIRCUIT BREAKER HANDLES SHALL PROJECT THROUGH FACE OF CONTROL ENCLOSURE.
- BATCH AND TOTAL COUNT SHALL NOT RESET DURING A POWER OUTAGE.

**OPERATION DISCRPTION:**  
 24 HOUR TIMER TRIGGERS OPERATION (IN EITHER BATCH OR TIMED MODE). BATCH MODE RUNS FOR QUANTITY OF GALLONS SET ON BATCH COUNTER. TIMED MODE RUNS FOR LENGTH OF TIME SET ON TD1 (0.5 HOURS INITIALLY).



**PUMP CONTROLS DIAGRAM**



**PUMP CONTROLS DIAGRAM**

FILE NAME: 01343RES  
 UPDATED ON: 1/19/94 22:28  
 UPDATED BY: BJH

DRN BY: MLM	IDENTIFICATION NO.	ISSUED FOR	DATE
DES. BY: MLM/MJJ	PROJECT - ALOHA	PRELIMINARY <input checked="" type="checkbox"/>	11-30-93
CRD BY: MJJ/KLC	STATE ACCOUNT	CONSTRUCTION <input checked="" type="checkbox"/>	1-31-94
APP. BY: GDA	607-75-2450-400	FINAL RECORD <input type="checkbox"/>	

STATE OF MICHIGAN DEPARTMENT OF MANAGEMENT AND BUDGET Office of Facilities	QUALITY OF LIFE RECREATION BOND MICHIGAN DEPARTMENT OF NATURAL RESOURCES PARKS DIVISION - STATE ACCT. NO. 607-75-2450-400	ALOHA STATE PARK EFFLUENT PUMP STATION AND AERATORS ELECTRICAL DETAILS	SCALE: NONE PROJ. NO.: 90134 SHEET 12 OF 13
--	---	--	---

L-116