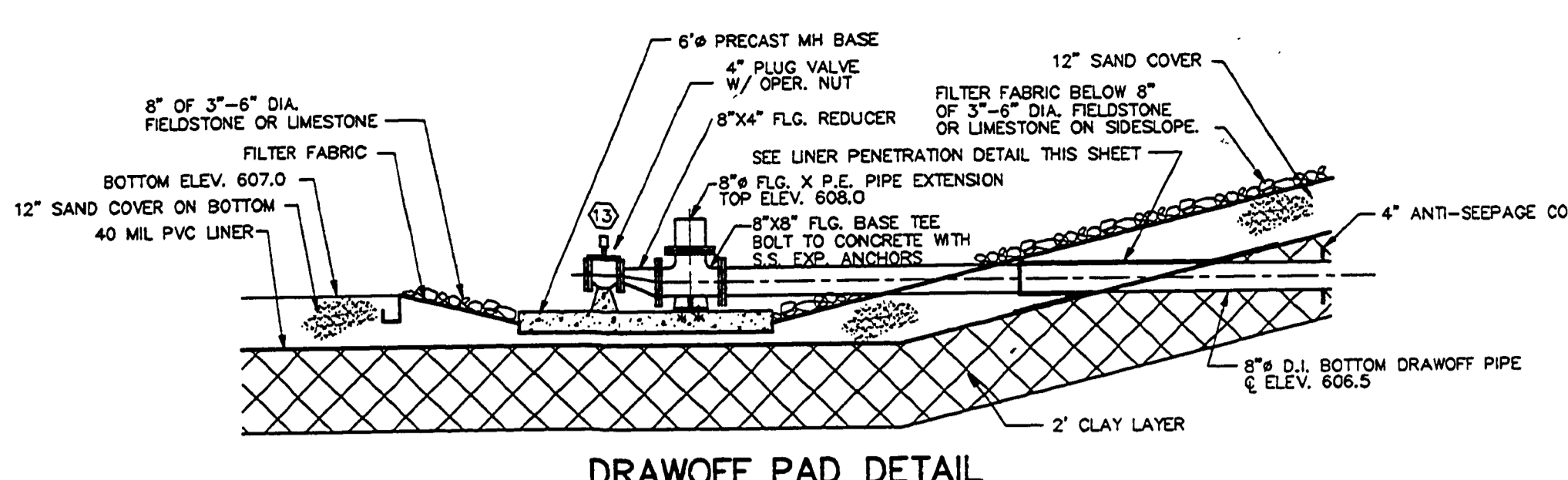
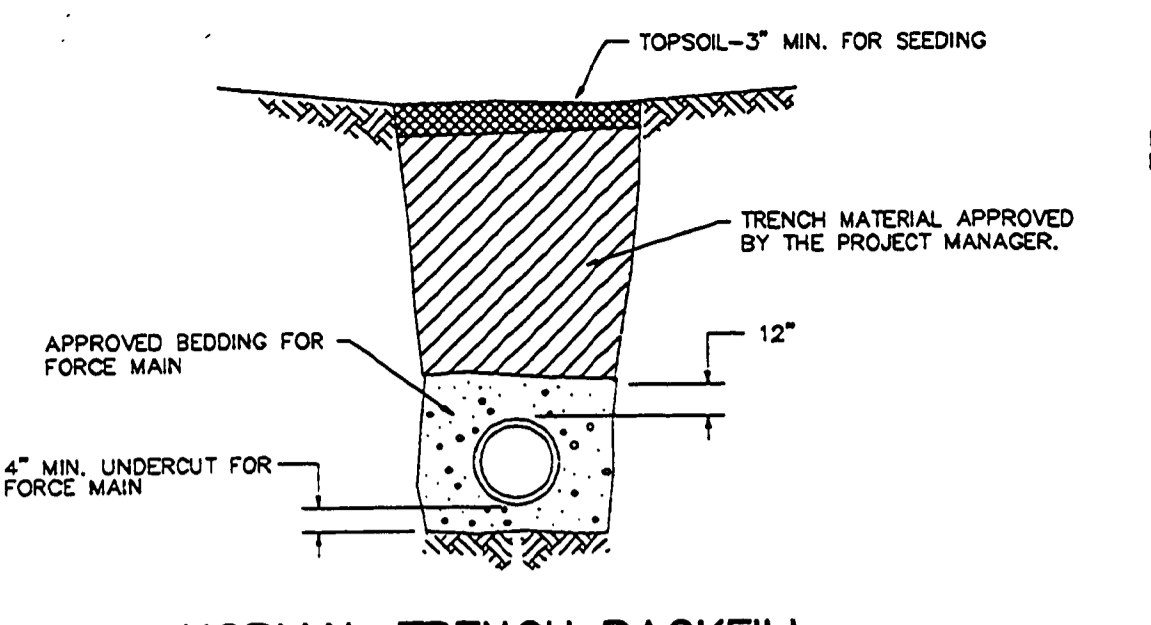


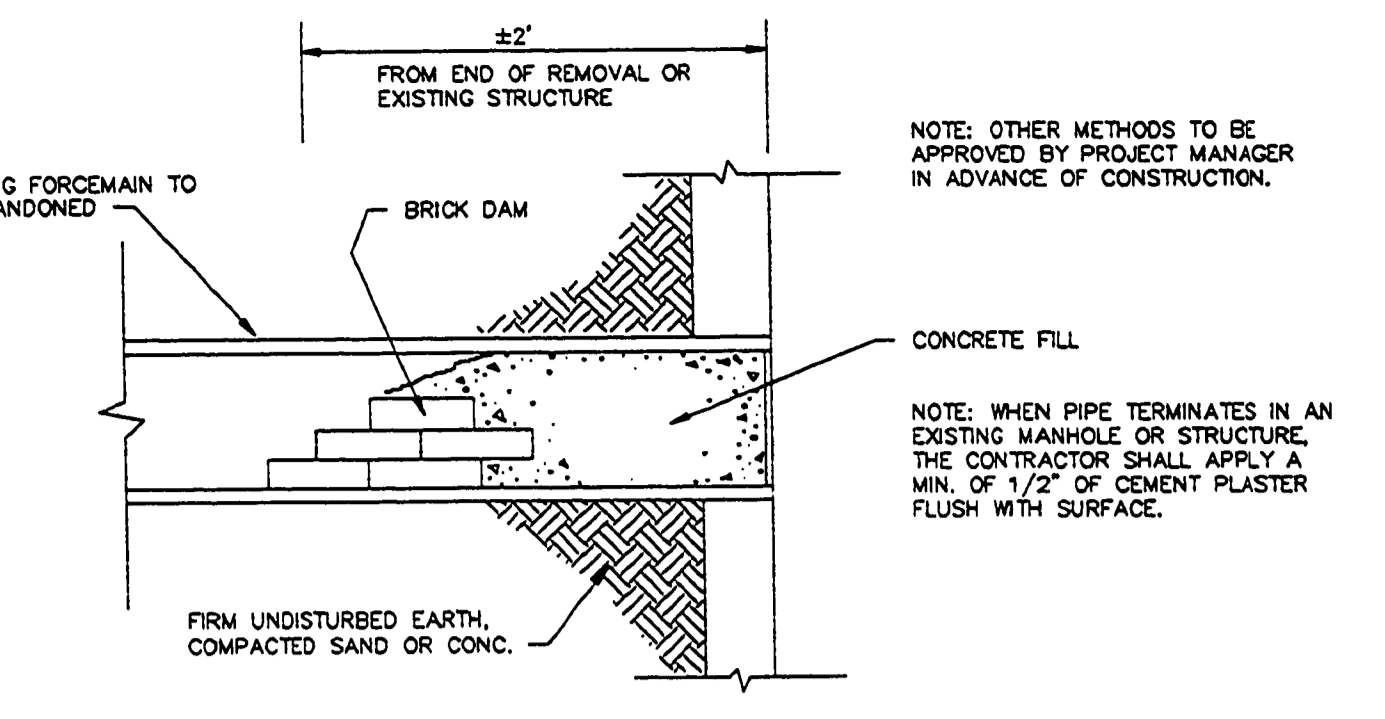
LINER PENETRATION DETAIL
NO SCALE



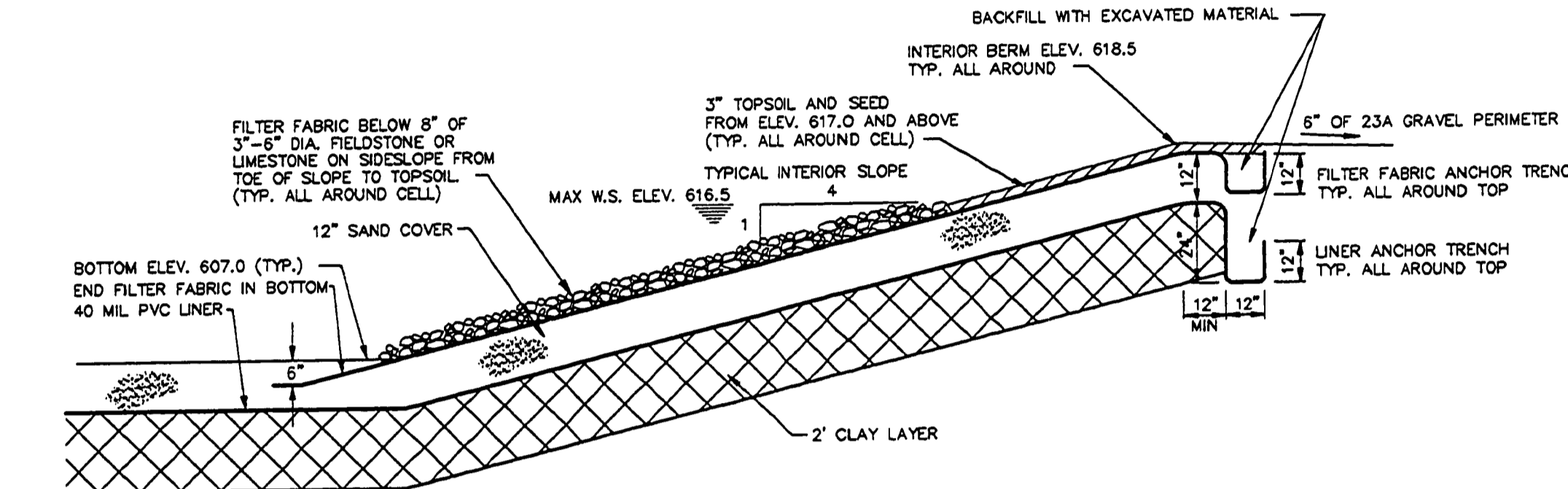
DRAWOFF PAD DETAIL
NO SCALE



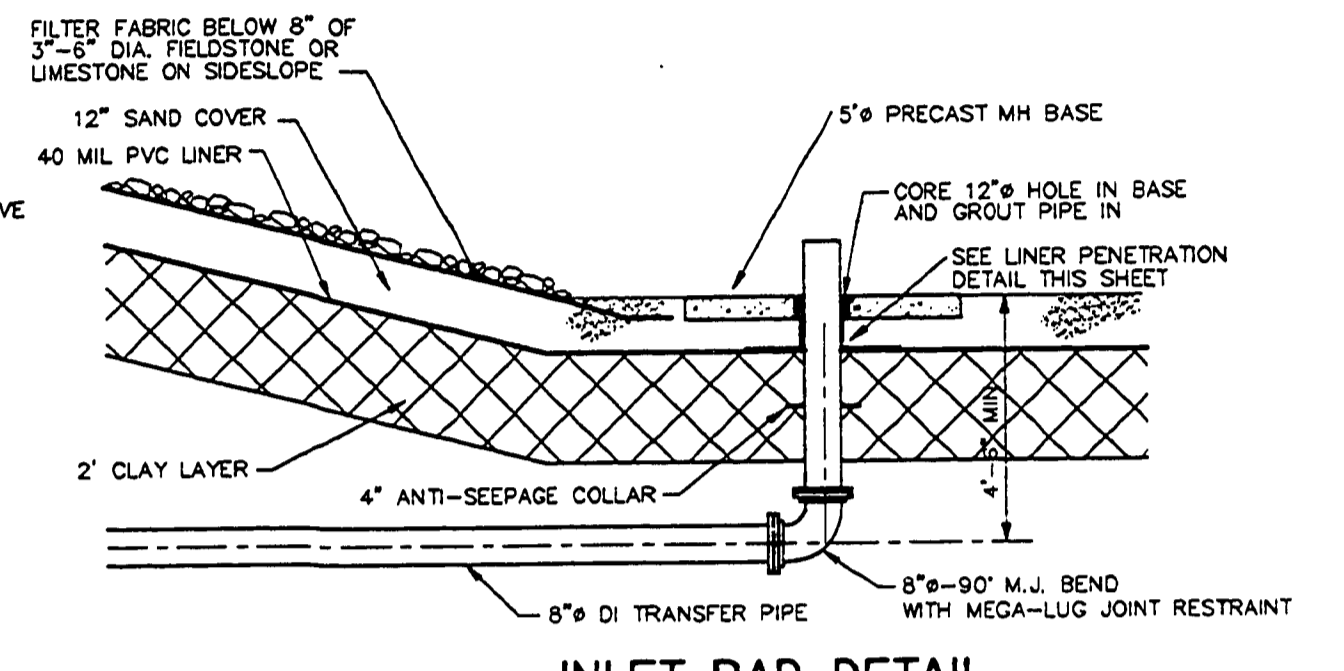
NORMAL TRENCH BACKFILL
NO SCALE



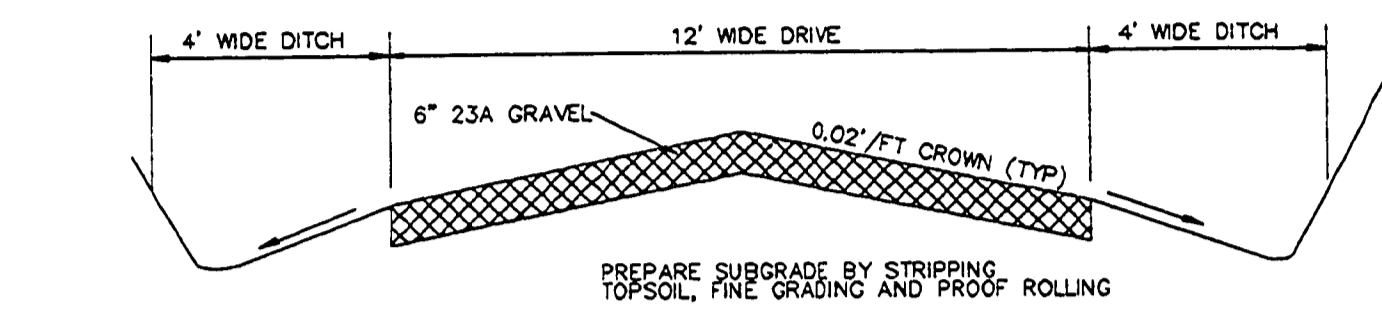
BULKHEAD DETAIL FOR ABANDONED FORCEMAINS
NO SCALE



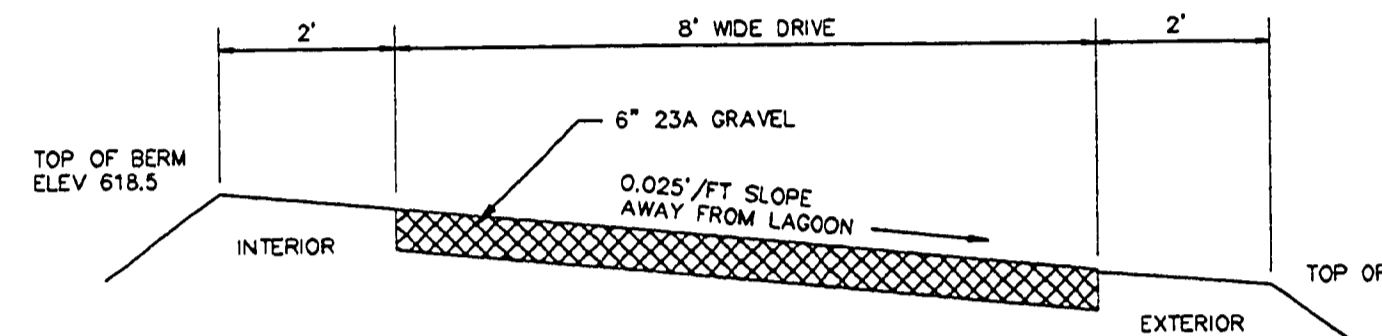
SECONDARY/STORAGE CELL LINER DETAIL
NO SCALE



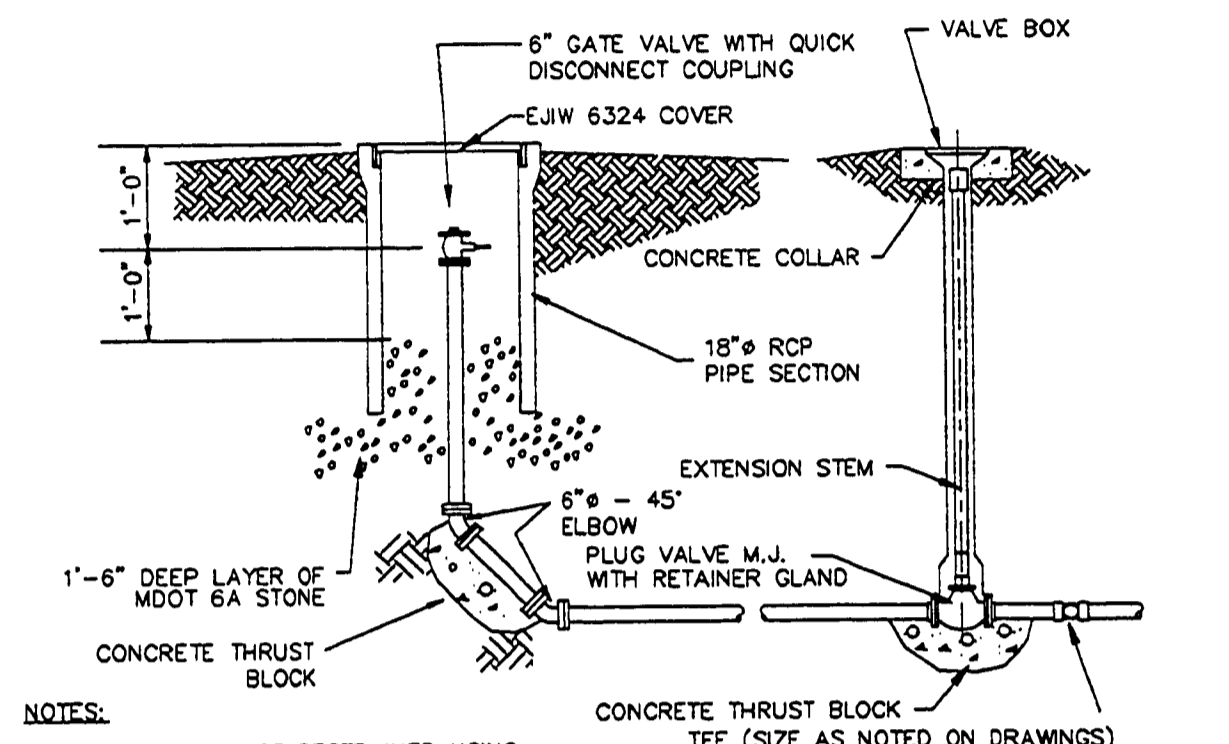
INLET PAD DETAIL
NO SCALE



TYPICAL GRAVEL ACCESS DRIVE CROSS SECTION
NO SCALE

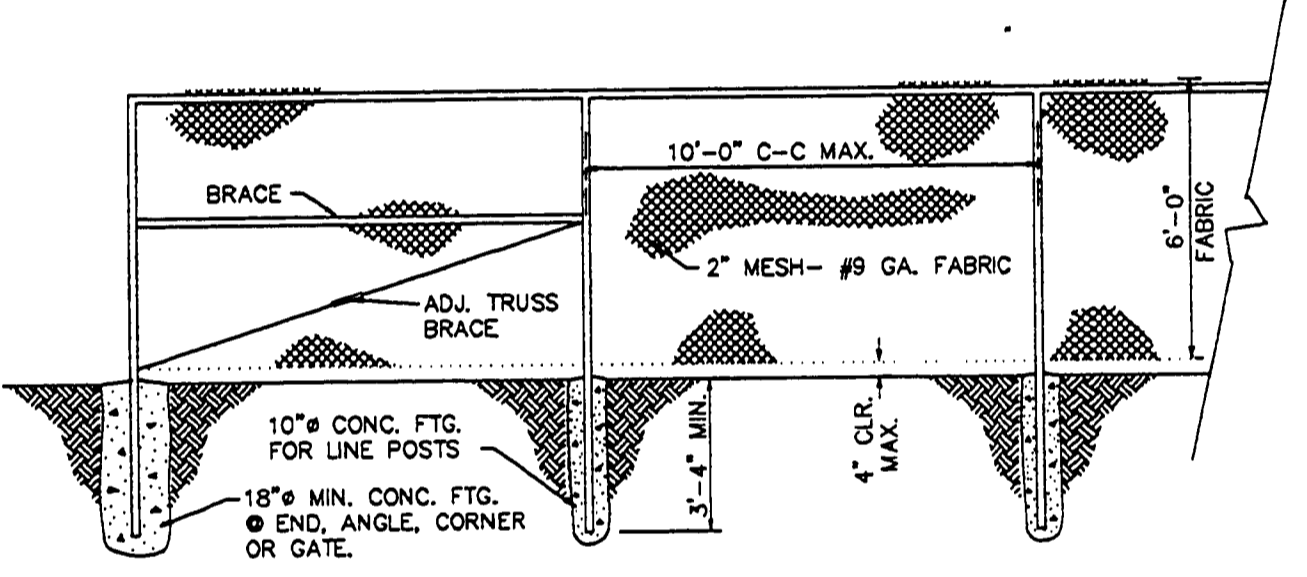


TYPICAL GRAVEL PERIMETER DRIVE CROSS SECTION
NO SCALE

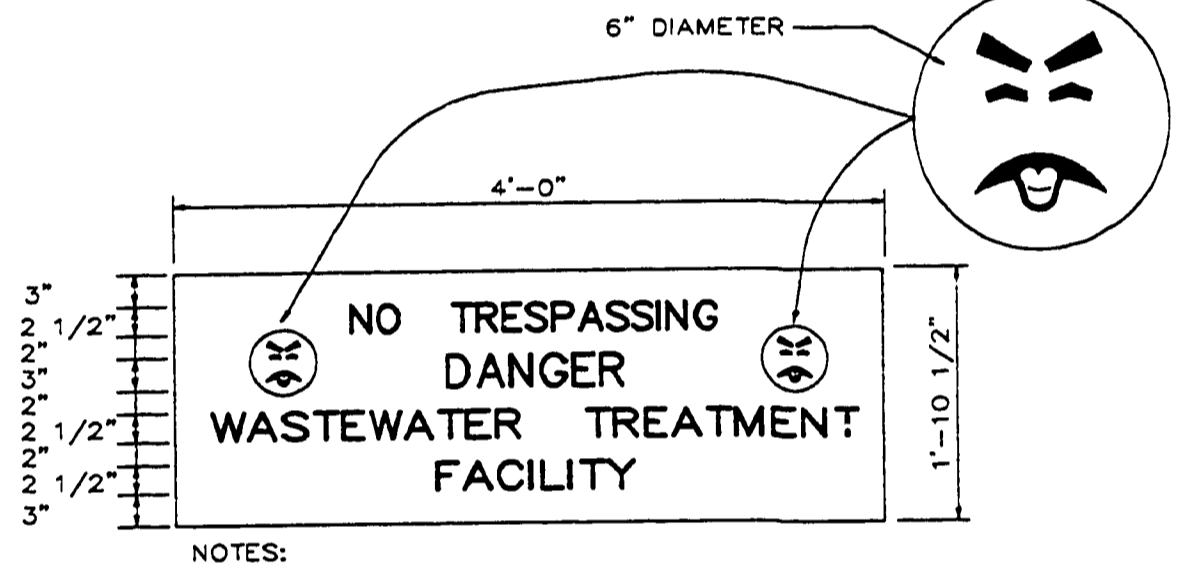


- NOTES:
1. ALL JOINTS SHALL BE RESTRAINED USING EITHER RETAINER GLANDS OR THREADED RODS.
2. ALL PIPE SHALL BE 6" DUCTILE IRON - CLASS 52 TO THE TEE.

FLUSHING CONNECTION IN FORCEMAIN - STATION 0+02
NO SCALE

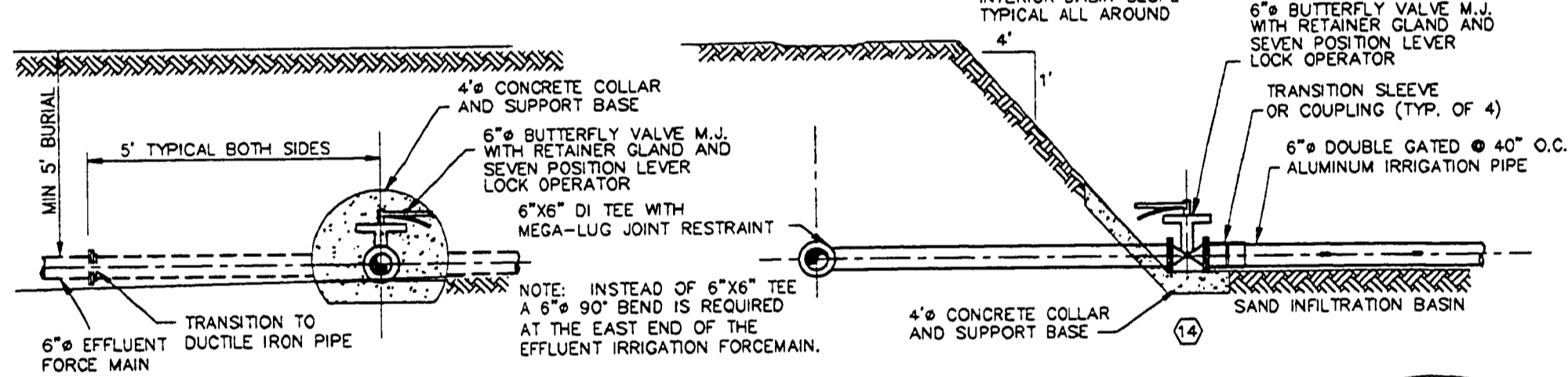


CHAIN LINK FENCE DETAIL
NO SCALE

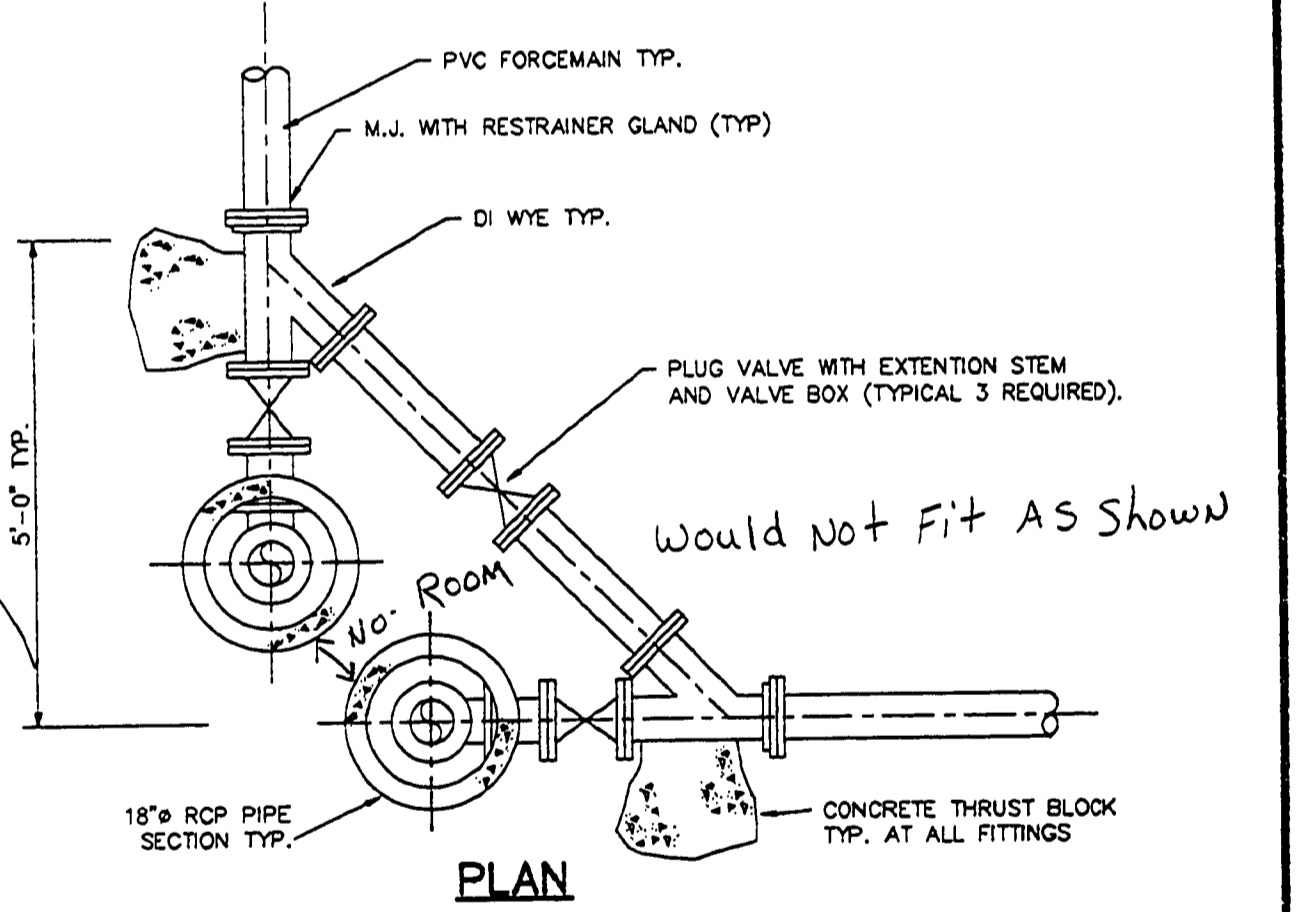


WARNING SIGN DETAIL
NO SCALE

- NOTES:
1. USE 16 GA. ALUMINUM W/ BAKED ENAMEL SURFACE AND FASTEN TO FENCE W/ TAMPER PROOF FASTENERS.
2. USE RED ENAMEL PAINT ON ALL SURFACES W/ WHITE ENAMEL LETTERS.
3. CONTRACTOR SHALL FURNISH 12 SIGNS AND INSTALL AT LOCATIONS AS DIRECTED BY THE PROJECT MANAGER.

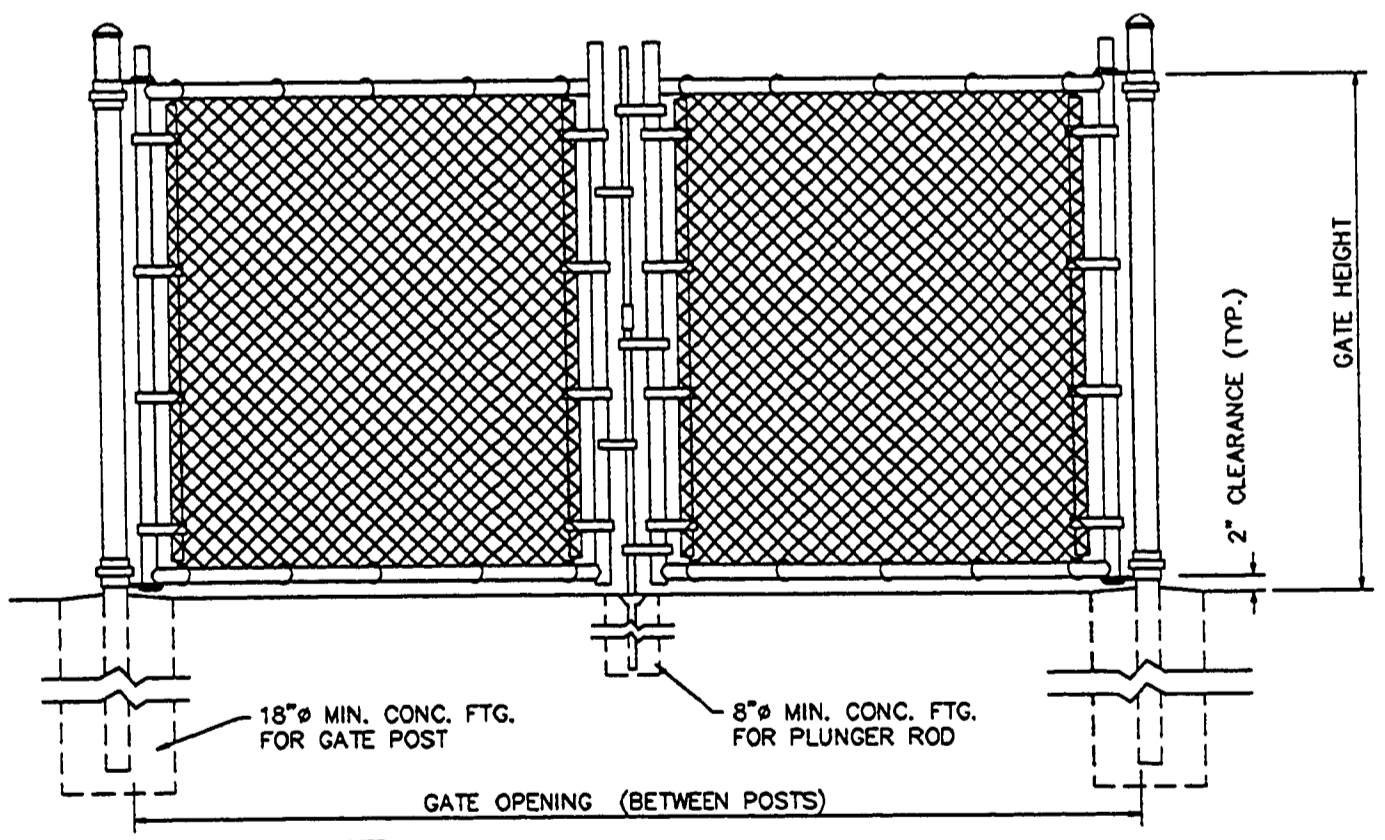


EFFLUENT FORCE MAIN CONNECTION DETAIL
NO SCALE

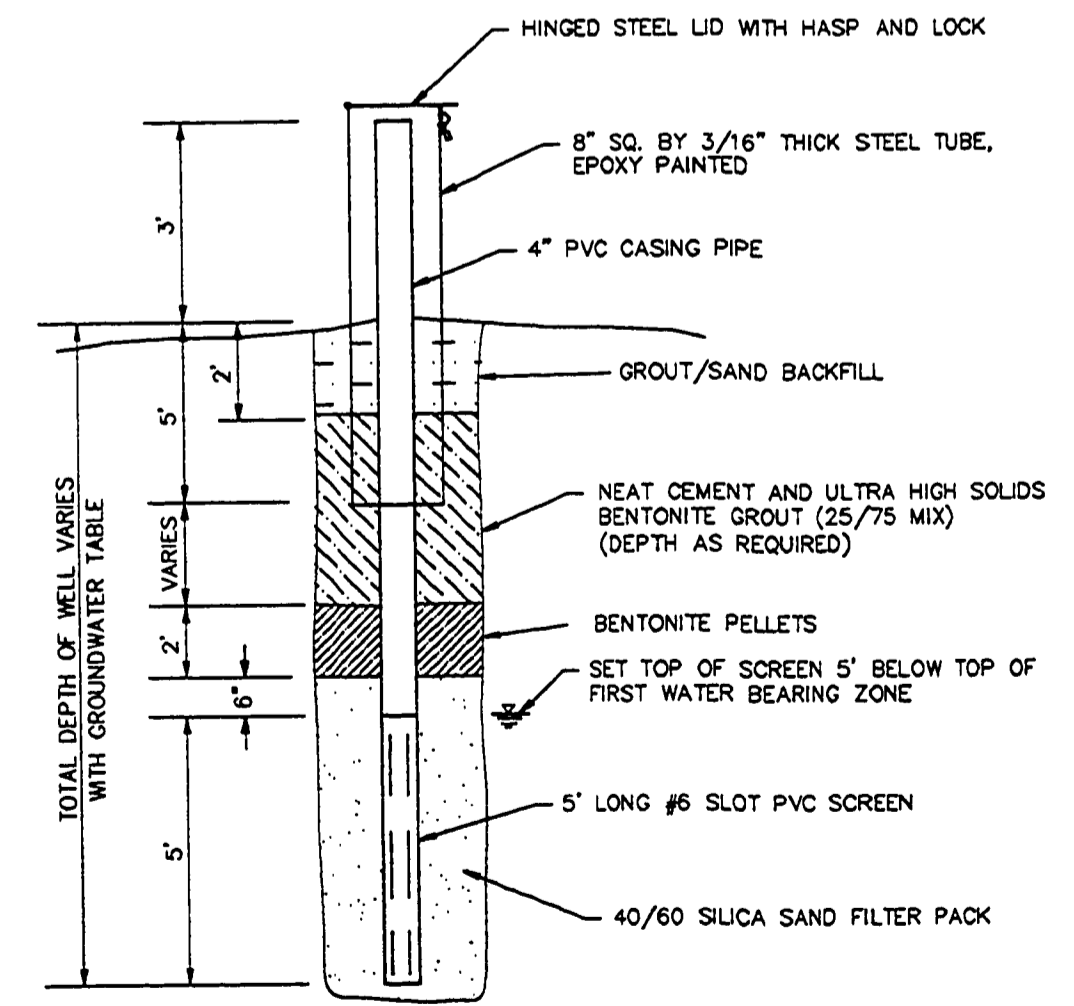


CLEAN-OUT AT BEND - STATION 9+78
NO SCALE

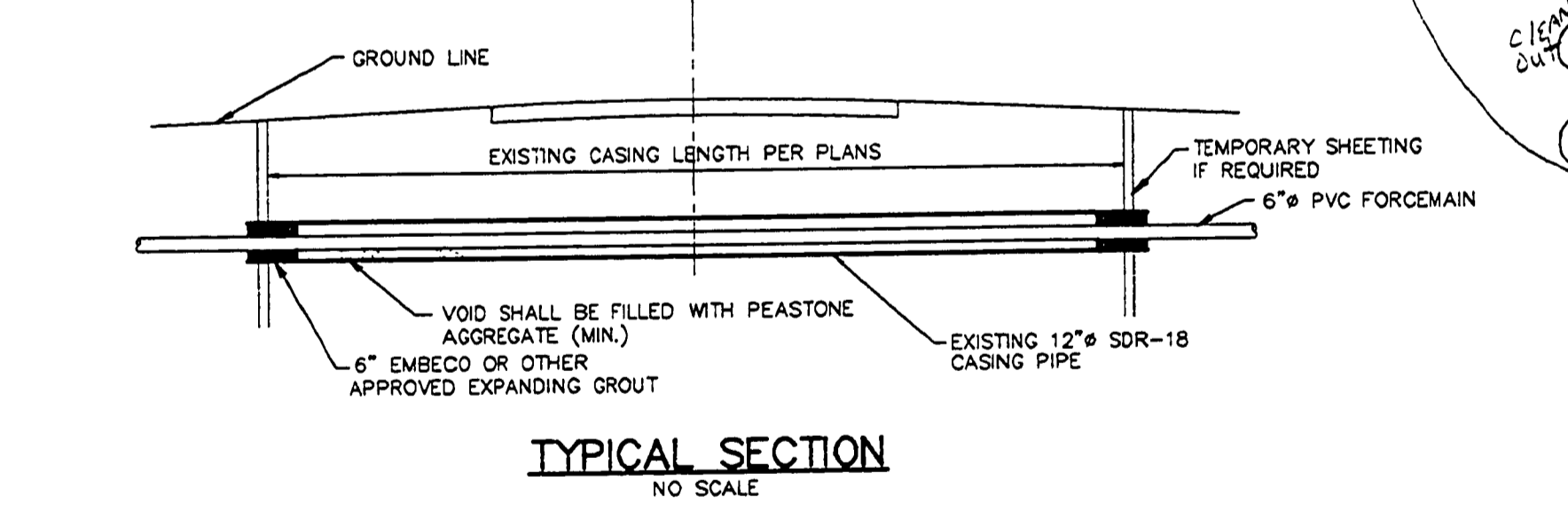
- NOTES:
1. ALL JOINTS SHALL BE RESTRAINED USING EITHER RETAINER GLANDS OR THREADED RODS.
2. ALL PIPE SHALL BE 6" DUCTILE IRON - CLASS 52 TO THE WYE.



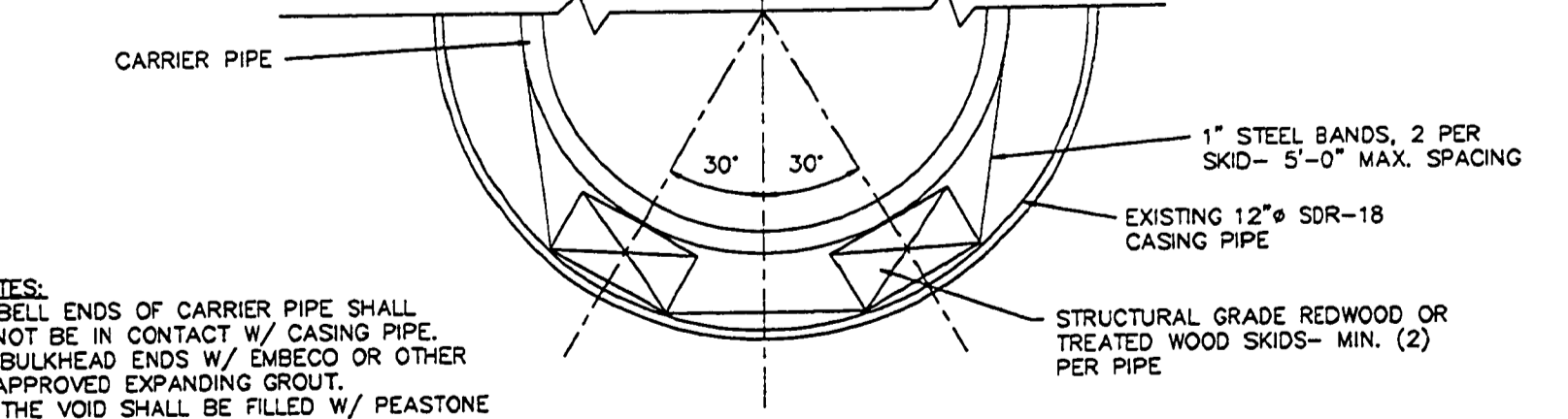
STANDARD DOUBLE SWING GATES
NO SCALE



GROUNDWATER MONITOR WELL DETAIL
NO SCALE



TYPICAL SECTION
NO SCALE



SKID DETAIL FOR FORCEMAIN
NO SCALE

- NOTES:
1. BELL ENDS OF CARRIER PIPE SHALL NOT BE IN CONTACT W/ CASING PIPE.
2. BULKHEAD ENDS W/ EMBEDD OR OTHER APPROVED EXPANDING GROUT.
3. THE VOID SHALL BE FILLED W/ PEASTONE AGGREGATE (MIN.)

FILE NO: 01340ET
PLOT DATE: 1-18-94
UPDATED BY: PMR

DRN BY: PMR	IDENTIFICATION NO.	ISSUED FOR	DATE	REVISION PER COMMENTS
DEST BY: PMR	PROJECT - ALOHA	PRELIMINARY	11-30-93	
CHD BY: GDA	STATE ACCOUNT	CONSTRUCTION	1-31-94	
APP'D BY: GDA	607-75-2450-400	FINAL RECORD		

CAPITAL CONSULTANTS ENGINEERS

STATE OF MICHIGAN
DEPARTMENT OF MANAGEMENT AND BUDGET
Office of Facilities

QUALITY OF LIFE RECREATION BOND
MICHIGAN DEPARTMENT OF NATURAL RESOURCES
PARKS DIVISION - STATE ACCT. NO. 607-75-2450-400

ALOHA STATE PARK
MISCELLANEOUS DETAILS

SCALE: AS NOTED
PROJ. NO.: 90134
SHEET 13 OF 13

L-116