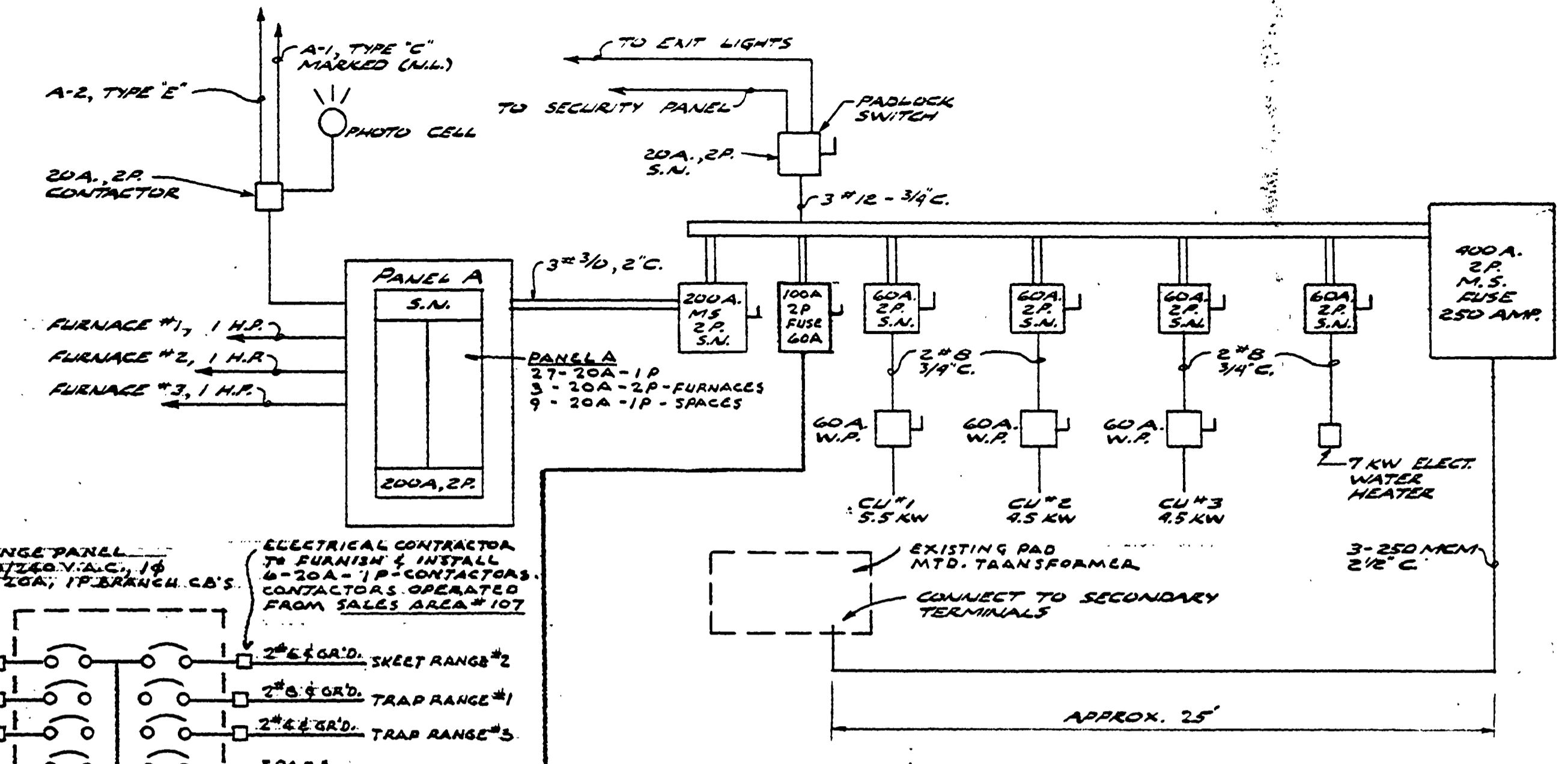
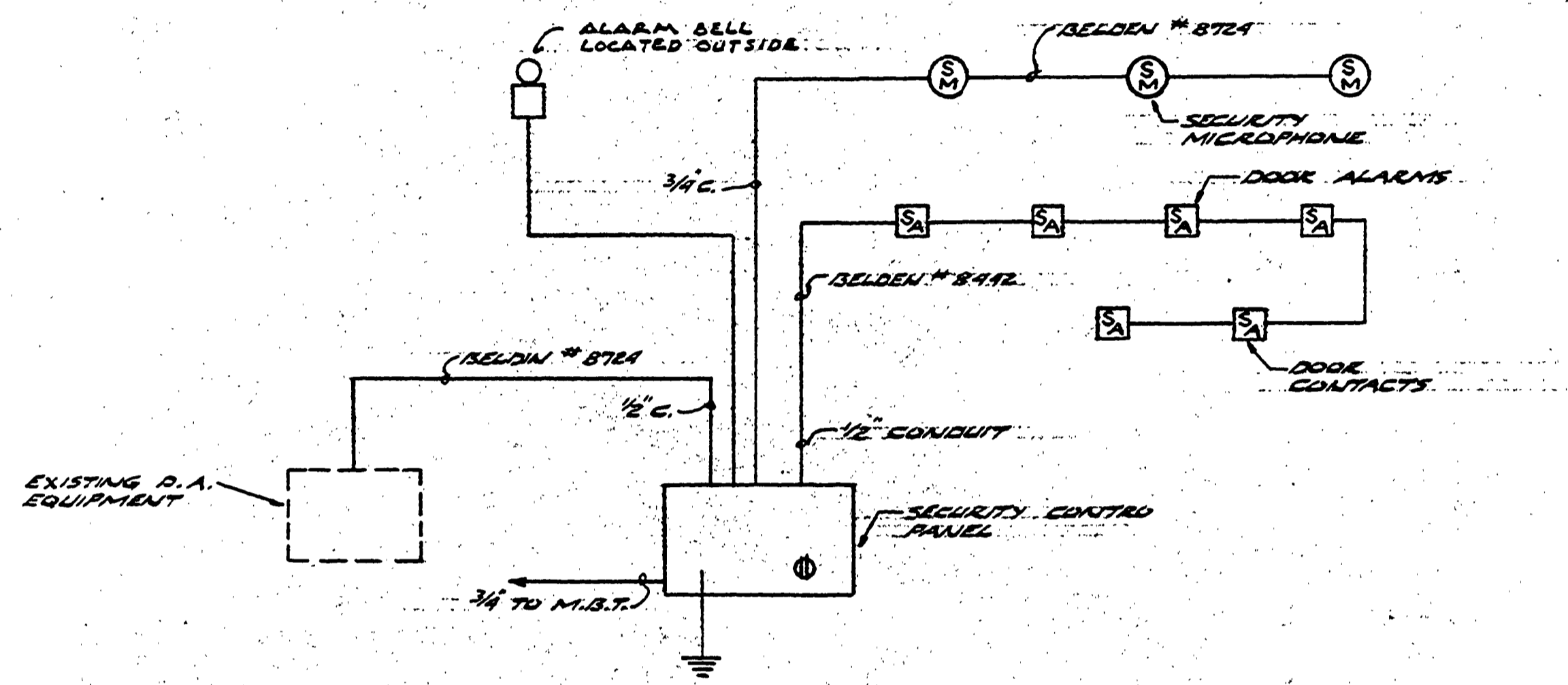


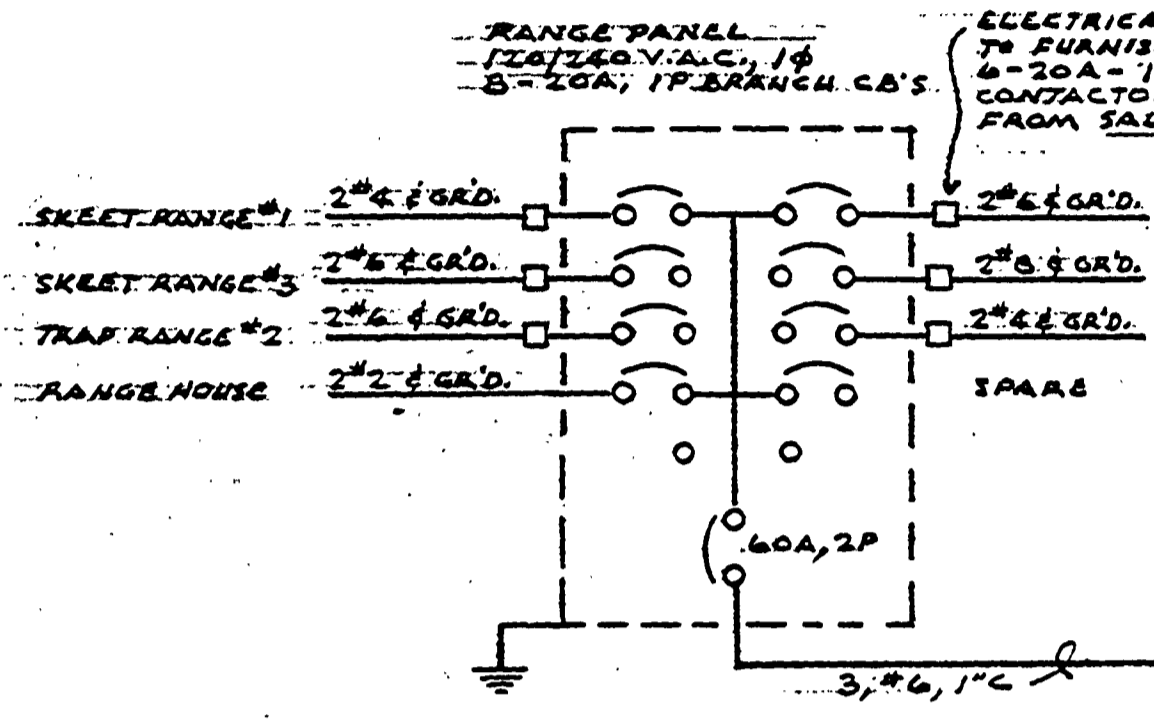
M.B.T. Co. RISER DIAGRAM
NO SCALE



ELECTRICAL RISER DIAGRAM
NO SCALE



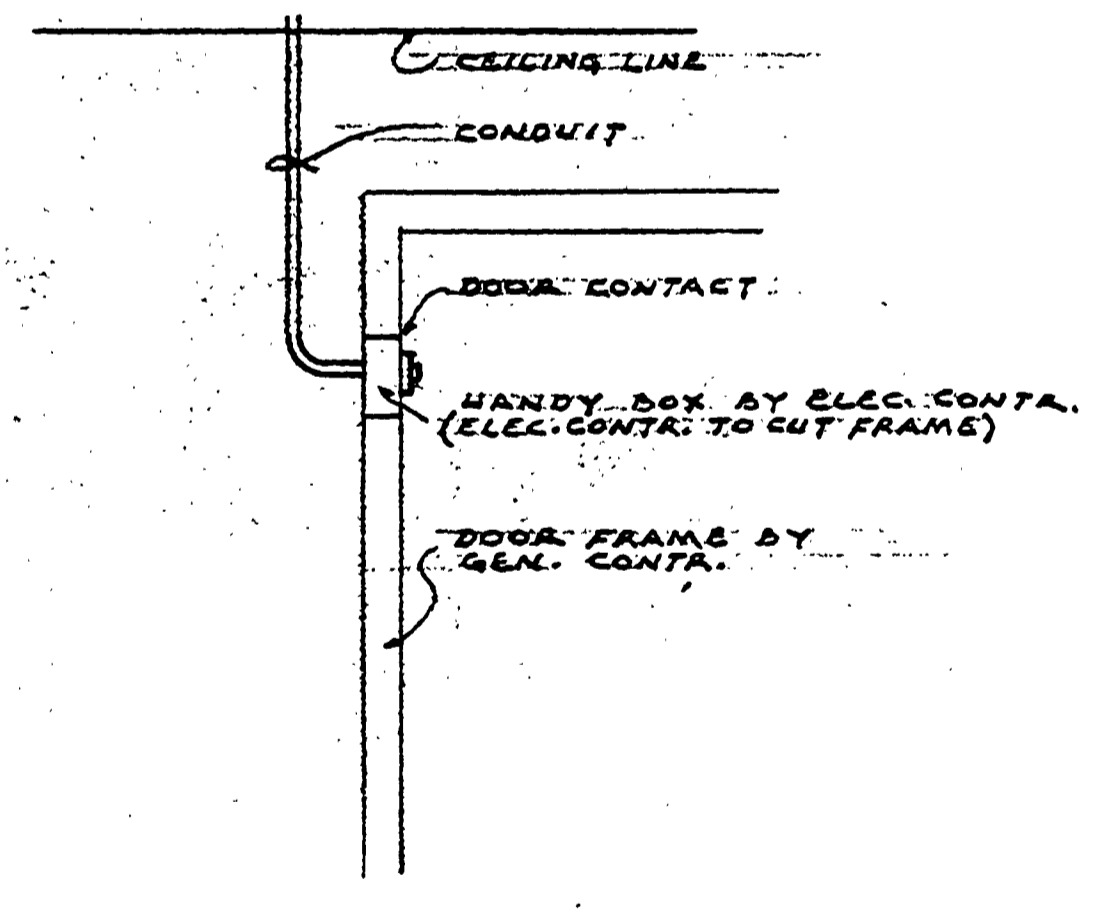
SECURITY RISER DIAGRAM
NO SCALE



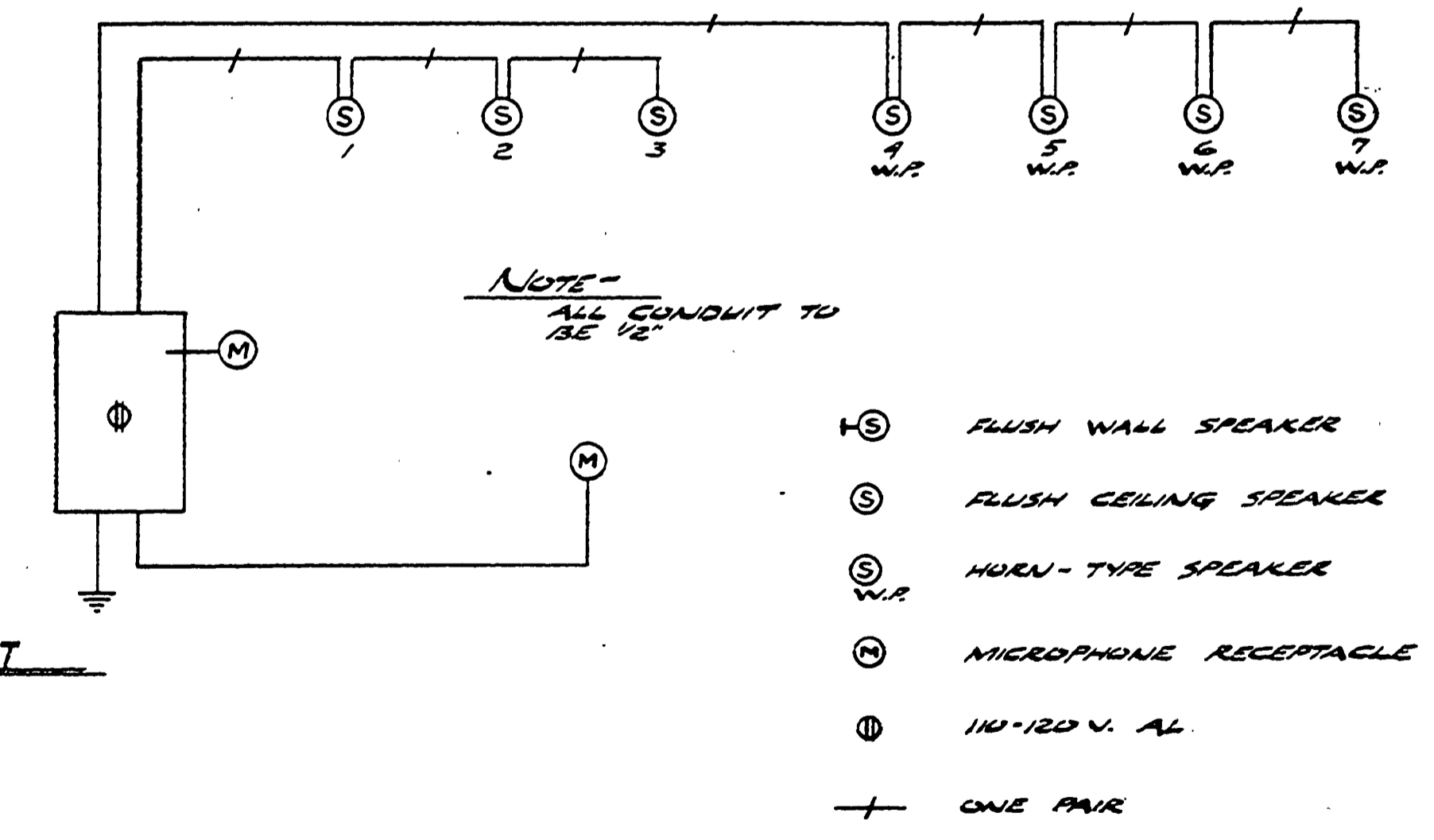
NOTE:-
CONTRACTOR TO EXTEND RANGE WIRE CIRCUITS FROM OUTSIDE BUILDING & CONNECT TO PANEL

LIGHTING FIXTURE SCHEDULE				
TOTAL	TYPE	LAMPS	MANUFACTURER OR EQUAL	REMARKS
11	A	4-80W. R.S.	LITHONIA # 2M-440 M-RN-A12 (48"x24") ACRYLIC - 120V.	SURFACE
12	B	2-80W. R.S.	LITHONIA # M-240 M-RN-12 (48"x12") ACRYLIC - 120V.	SURFACE
8	C	100 W. MERCURY CLEAR	ART METAL # M-3509-17L-C73-7P TEMPERED LENS	SURFACE -20" BALLAST
3	D	1-50W. INCAND.	KEYLESS PORCELAIN W/ LAMP GUARD	SURFACE
4	E	1-75W. MERCURY CLEAR	HOLOPHANE # 410 CWA BALLAST W/ HIGH IMPACT LENS - 120V.	LESS PHOTO CELL WALL MTD. -20" BALLAST
3	X	2-20" 6 1/2"	WESTCRAFT IC-RW	MOUNTING & ARROWS AS REQUIRED
5	F	8-40W R.S.	LITHONIA # 43G-840-A12 (48"x48") ACRYLIC - 120V.	SURFACE MOUNT (20") PITCH TO UNDERSIDE OF ROOF DECK

NOTE:-
BALLAST FURNISHED MUST BE RATED FOR SURFACE MOUNTING ON COMBUSTIONAL SURFACES



DETAIL SECURITY DOOR CONTACT
NO SCALE



SOUND SYSTEM RISER
NO SCALE

NO.	DATE	BY	REVISIONS	NO.	DATE	BY	REVISIONS
1.				3.			
2.				4.			

SURVEYED BY	DRAWN BY <i>G. COLLINS</i>	DESIGNED BY	CHECKED BY <i>S. SENK</i>	DATE <i>2-13-70</i>	MICHIGAN DEPARTMENT OF NATURAL RESOURCES	TELEPHONE, SECURITY, SOUND SYSTEM & ELEC. RISER DIAGRAMS	BALD MOUNTAIN RECREATION AREA AREA OR PARK SHOOTING RANGE FACILITY PROJECT	S.F. SONK ASSOCIATES, INC. Consulting Engineers 43450 Grand River - Novi, Mich
								PROJECT NO. 22-400
SHEET 14 OF 16 PLAN NO. E114								