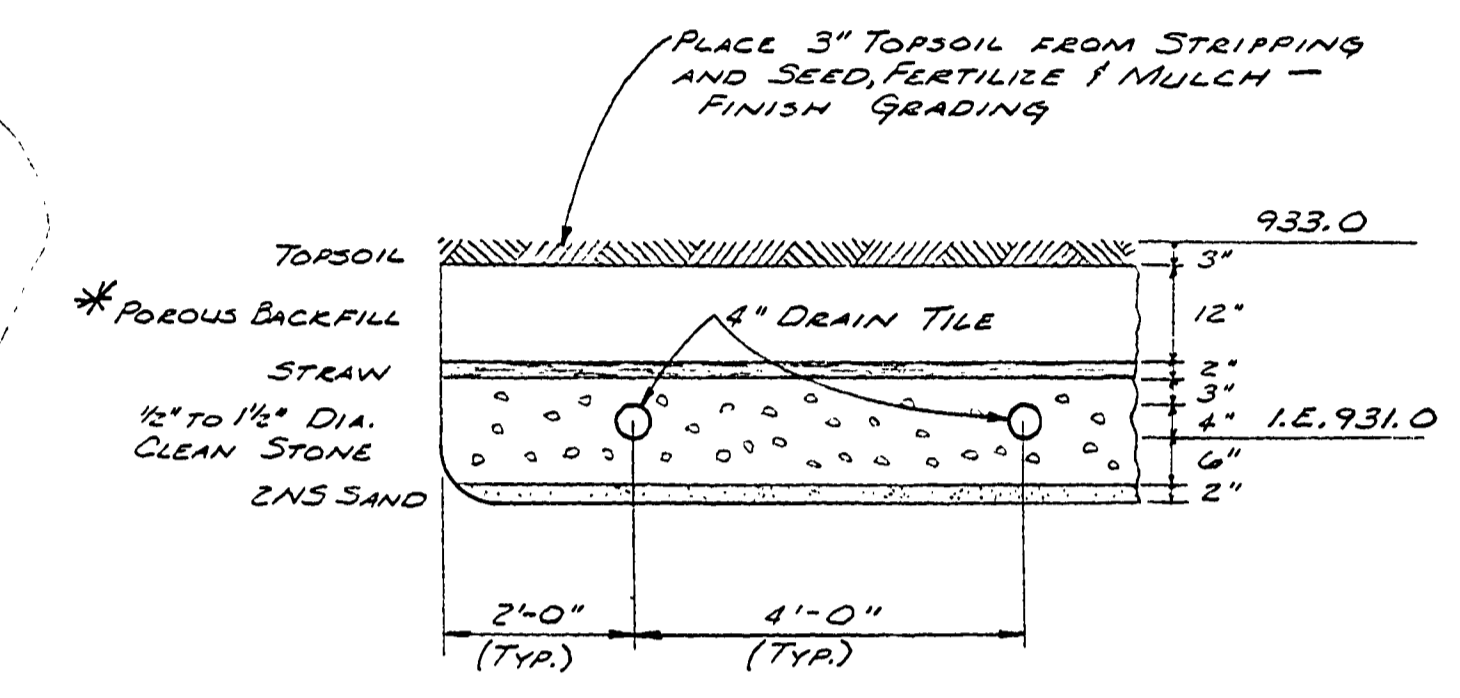
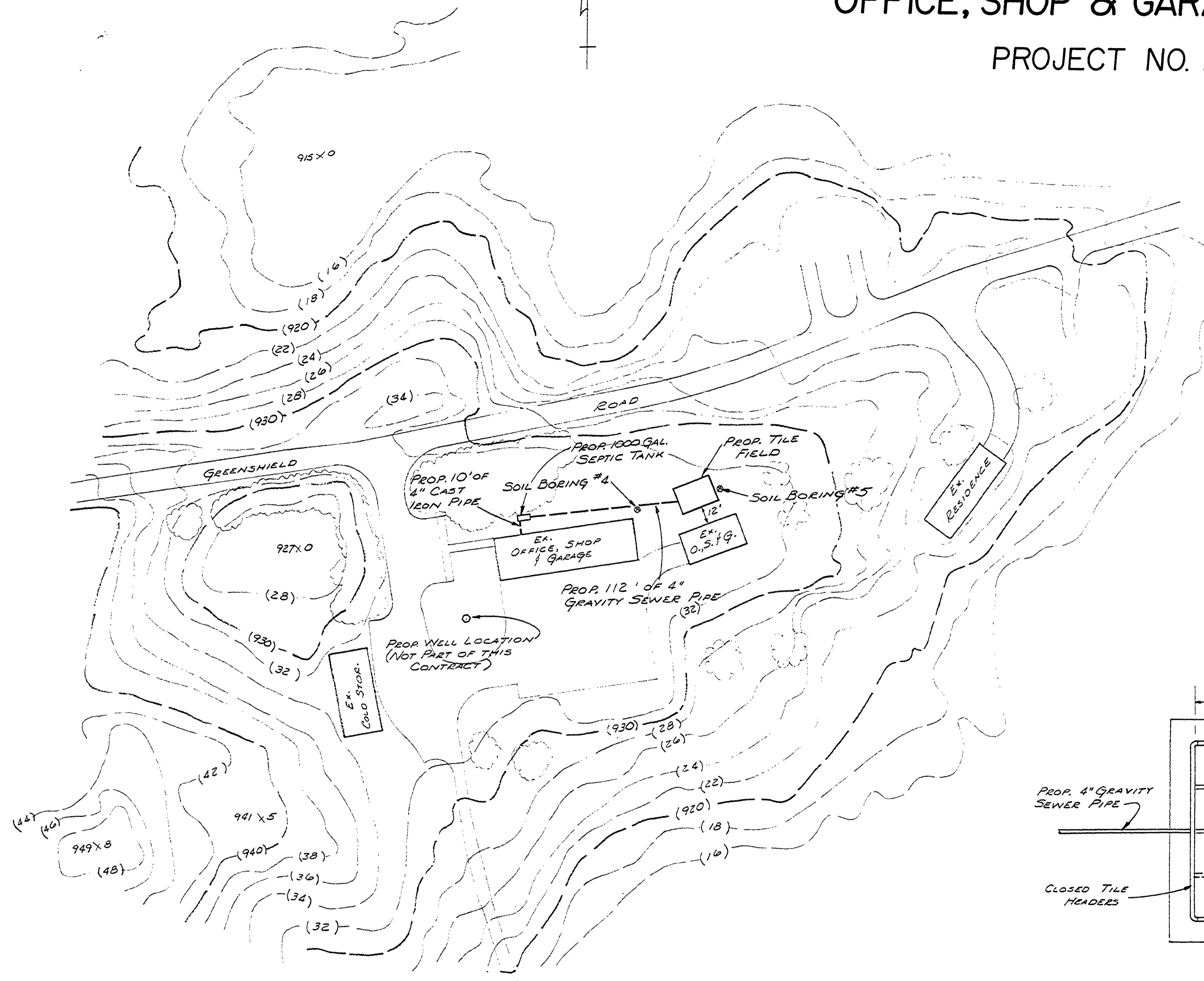


BALD MOUNTAIN RECREATION AREA

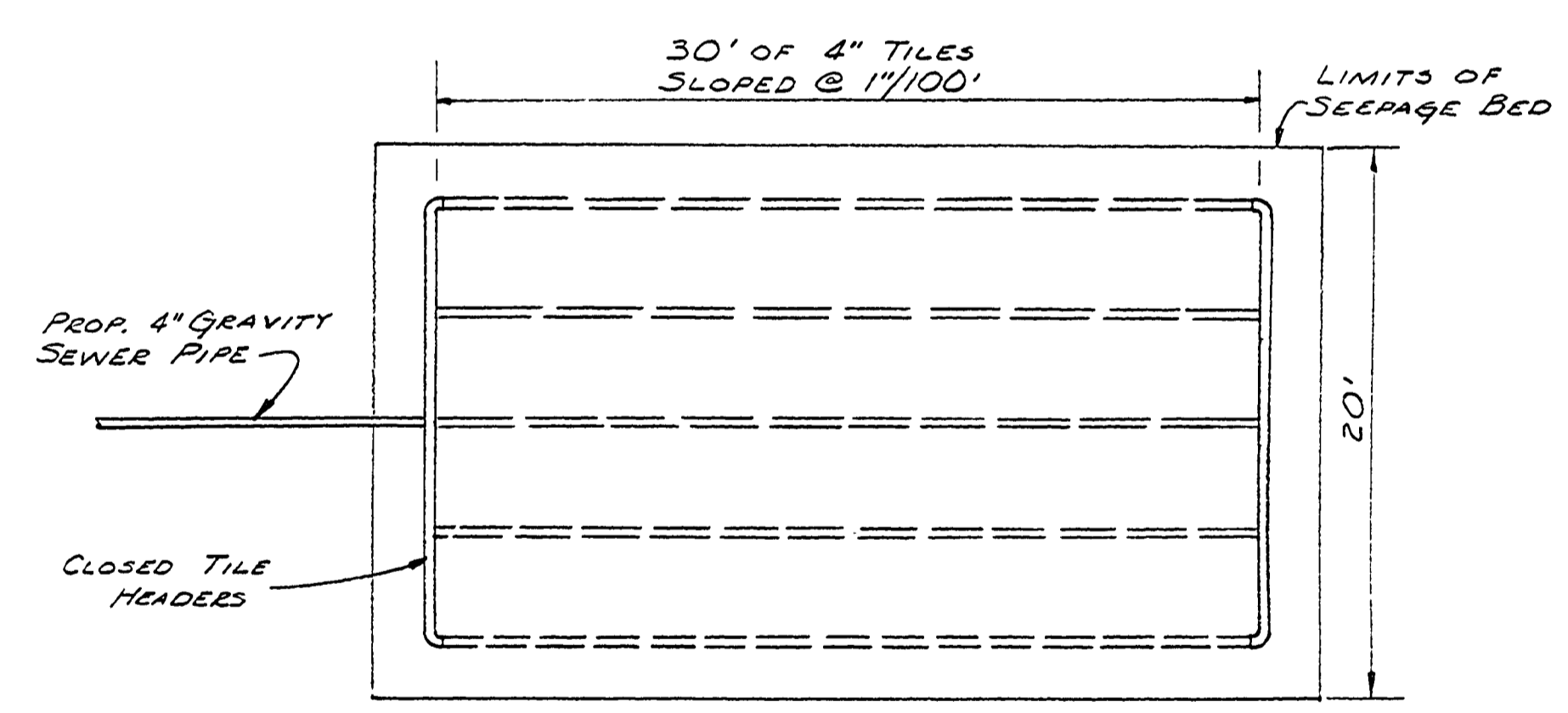
CONSTRUCTION PLANS FOR OFFICE, SHOP & GARAGE TILE FIELD

PROJECT NO. 24-2024

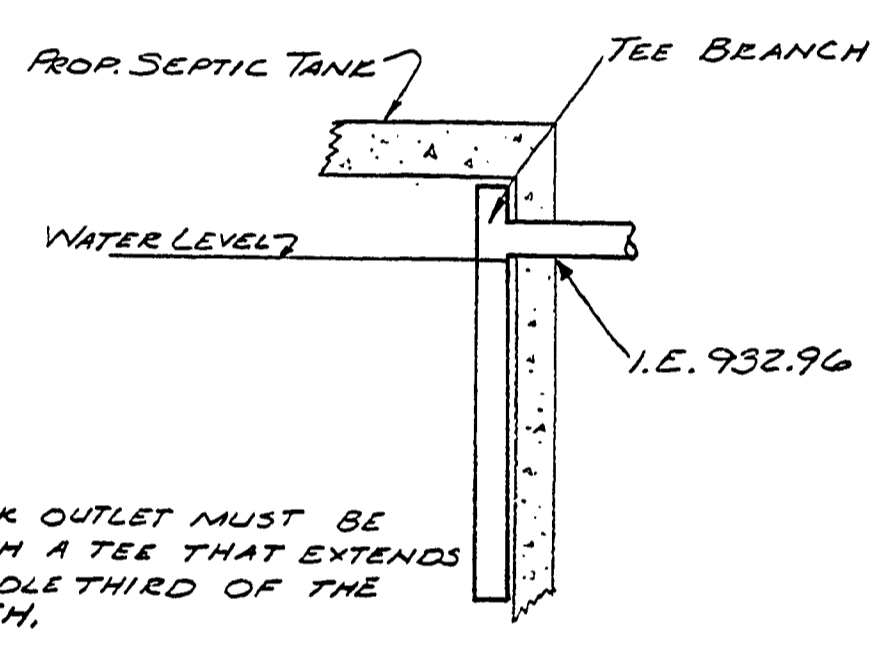


TYPICAL TILE FIELD SECTION
SCALE: 1/2" = 1'-0"

*USE EXCAVATED MED. POROUS SAND
(SEE SOIL BORINGS)

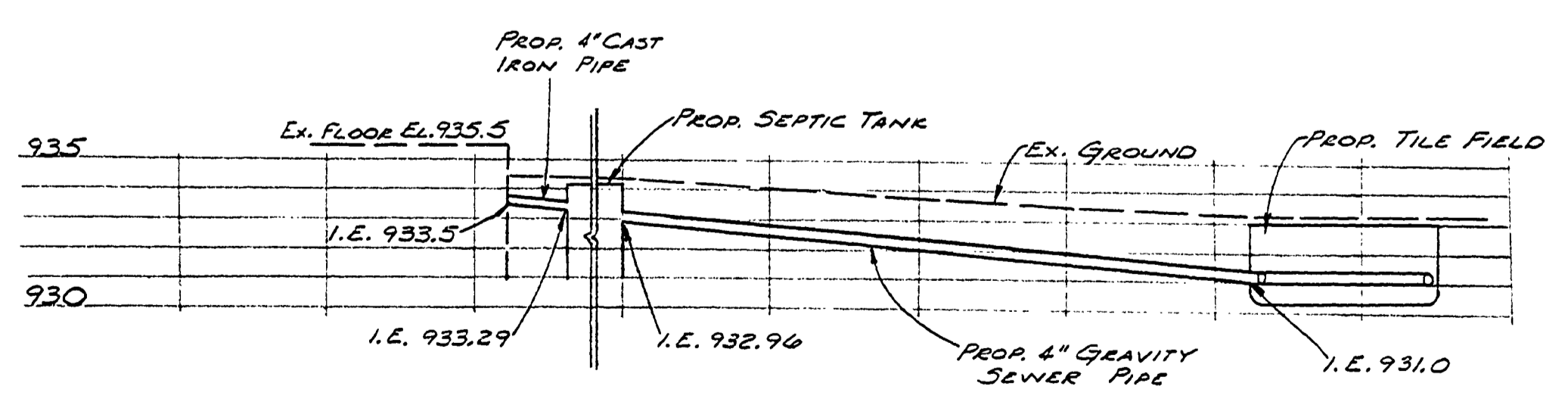


PROPOSED TILE FIELD
SCALE: 1" = 6'



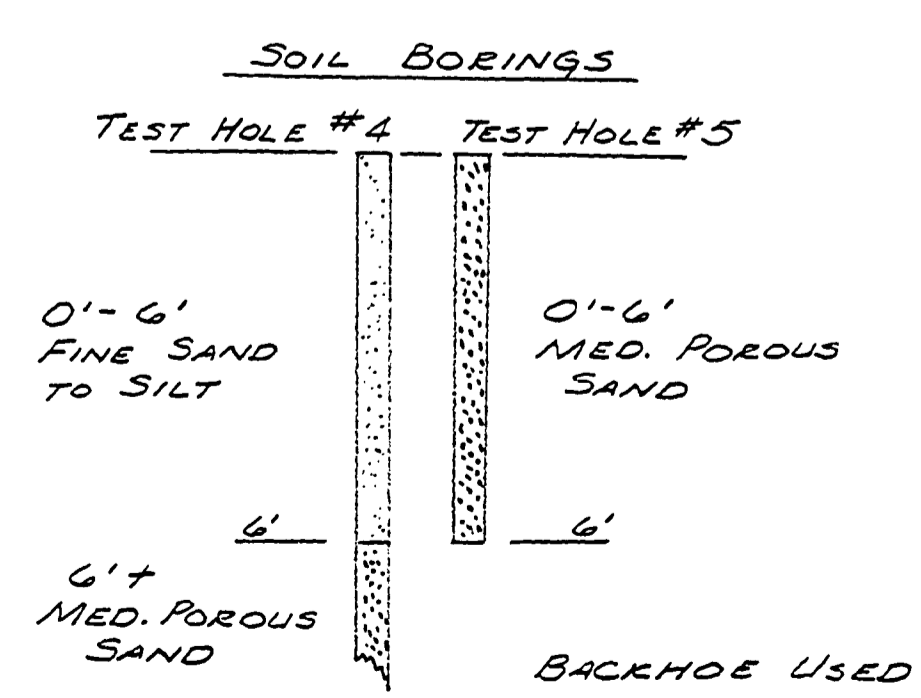
SEPTIC TANK DETAIL
NO SCALE

THE SEPTIC TANK OUTLET MUST BE PROVIDED WITH A TEE THAT EXTENDS INTO THE MIDDLE THIRD OF THE WATER DEPTH.



PROFILE SEWER SYSTEM
SCALE: 1" = 5' VERT.

SITE PLAN
1" = 50'



| | |
|-----------------------------|---------------|
| BUILDING COMMITTEE APPROVAL | |
| BY: _____ | DATE: _____ |
| RECOMMENDED FOR APPROVAL | |
| BY: <i>[Signature]</i> | DATE: 12-6-79 |
| RECOMMENDED FOR APPROVAL | |
| BY: _____ | DATE: _____ |
| APPROVED: _____ | |
| CHIEF ENGINEER | |

| | | | | | | | | | | | |
|-------------------------|-------|-------------------|-------|-------------|-----------|-------------|-----------|---|-----------------------|---|---------------------|
| DESIGNED BY SROONIAN | 12-79 | DRAWN BY BANDY | 12-79 | NO. DATE BY | REVISIONS | NO. DATE BY | REVISIONS | MICHIGAN DEPARTMENT OF NATURAL RESOURCES | SITE PLAN AND DETAILS | BALD MOUNTAIN REC. AREA AREA OR PARK | PROJECT NO. 24-2024 |
| DATE | DATE | DATE | DATE | 1. | | 3. | | SHEET TITLE | PROJECT | PROJECT | PROJECT |
| | | | | 2. | | 4. | | | | SHEET 1 OF 1 | PLAN NO. E-116 |