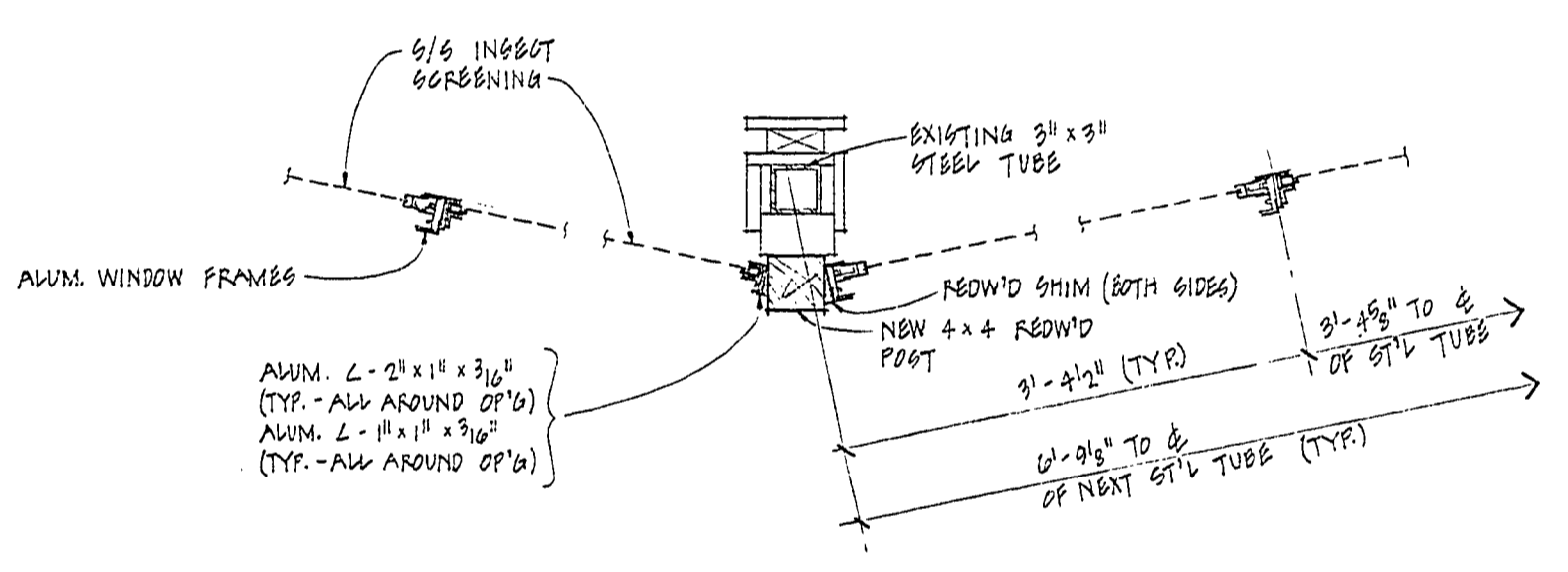
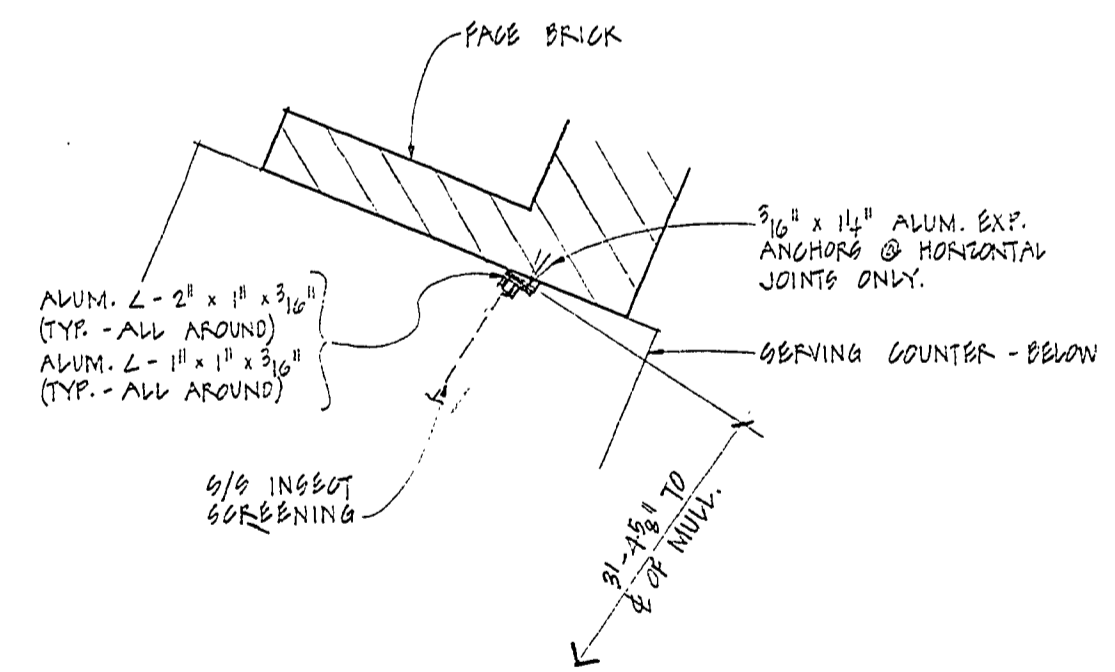


PARTIAL PLAN SHOWING SERVING COUNTER
SCALE 1/2" = ONE FOOT

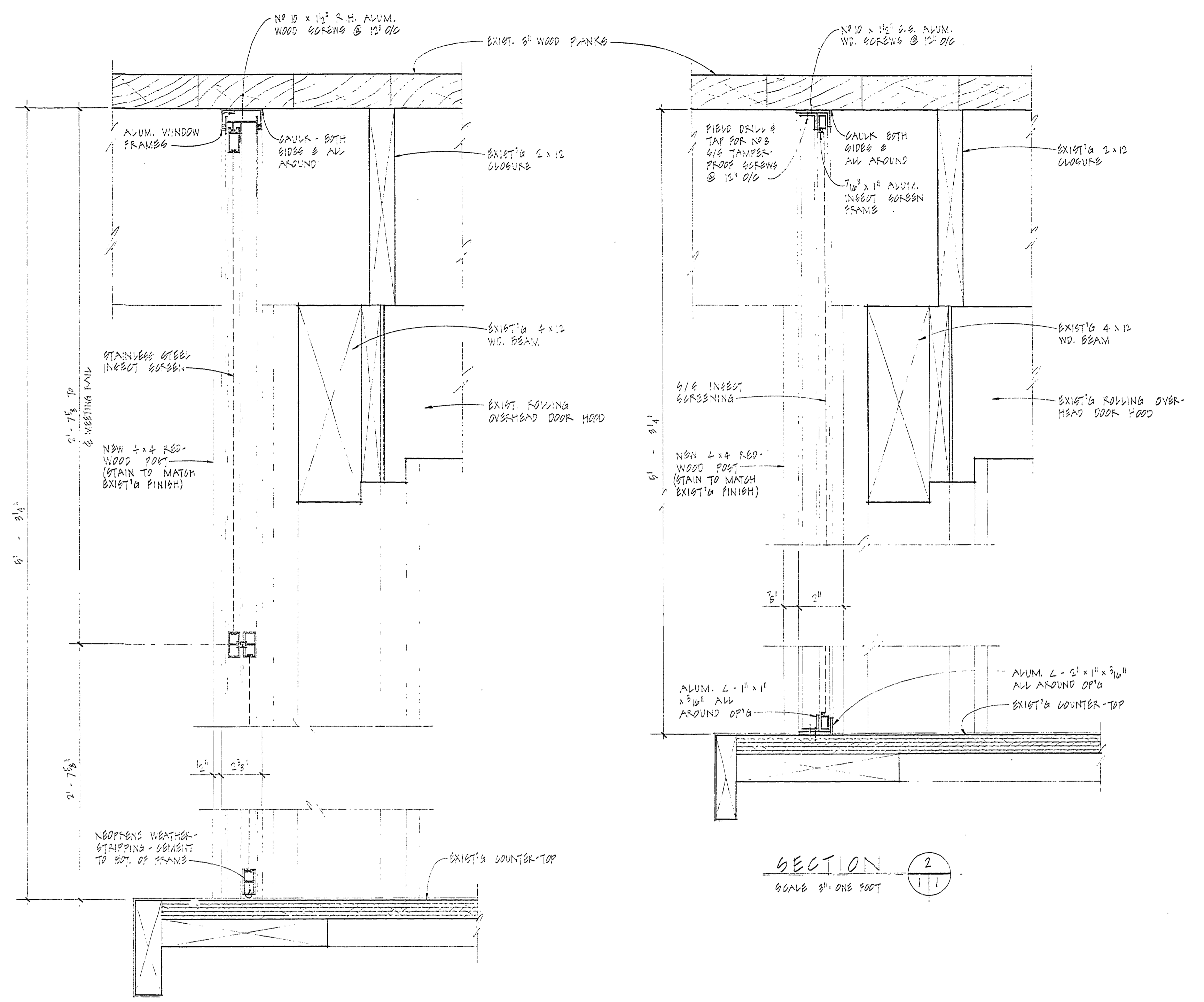


DETAIL 3
SCALE 1" = ONE FOOT

- NOTES:
1. SHADED POST AREA INDICATES EXISTING CONSTRUCTION
 2. STAIN ALL NEW W.D. POSTS TO MATCH EXISTING FINISH
 3. FIELD VERIFY ALL WINDOW OPENING DIMENSIONS



DETAIL 4
SCALE 1" = ONE FOOT



SECTION 2
SCALE 3/4" = ONE FOOT

SECTION 1
SCALE 3/4" = ONE FOOT

SURVEYED BY	DRAWN BY	06/77	NO.	DATE	BY	REVISIONS	NO.	DATE	BY	REVISIONS
			1.				3.			
			2.				4.			

MICHIGAN DEPARTMENT OF NATURAL RESOURCES	INGEST SCREENING DETAILS SHEET TITLE	BALD MOUNTAIN RECREATION AREA AREA OR PARK	PROJECT NO. 24-1908
		BEACHHOUSE PROJECT	SHEET 1 OF 1 PLAN NO. A-103

BUILDING COMMITTEE APPROVAL	
BY: _____	DATE _____
RECOMMENDED FOR APPROVAL: _____ 6/1/77	ENGINEERING OR ARCHITECTURAL SUPERVISOR DATE
RECOMMENDED FOR APPROVAL: _____	PROGRAM AND PLAN COORDINATOR DATE
DIVISION/REGION APPROVAL	
BY: Jack Burtchell 6/1/77	DATE
DIVISION CHIEF/REGIONAL MANAGER ENGINEERING DIVISION	
APPROVED: _____ 6-1-77	DATE
CHIEF ENGINEER	