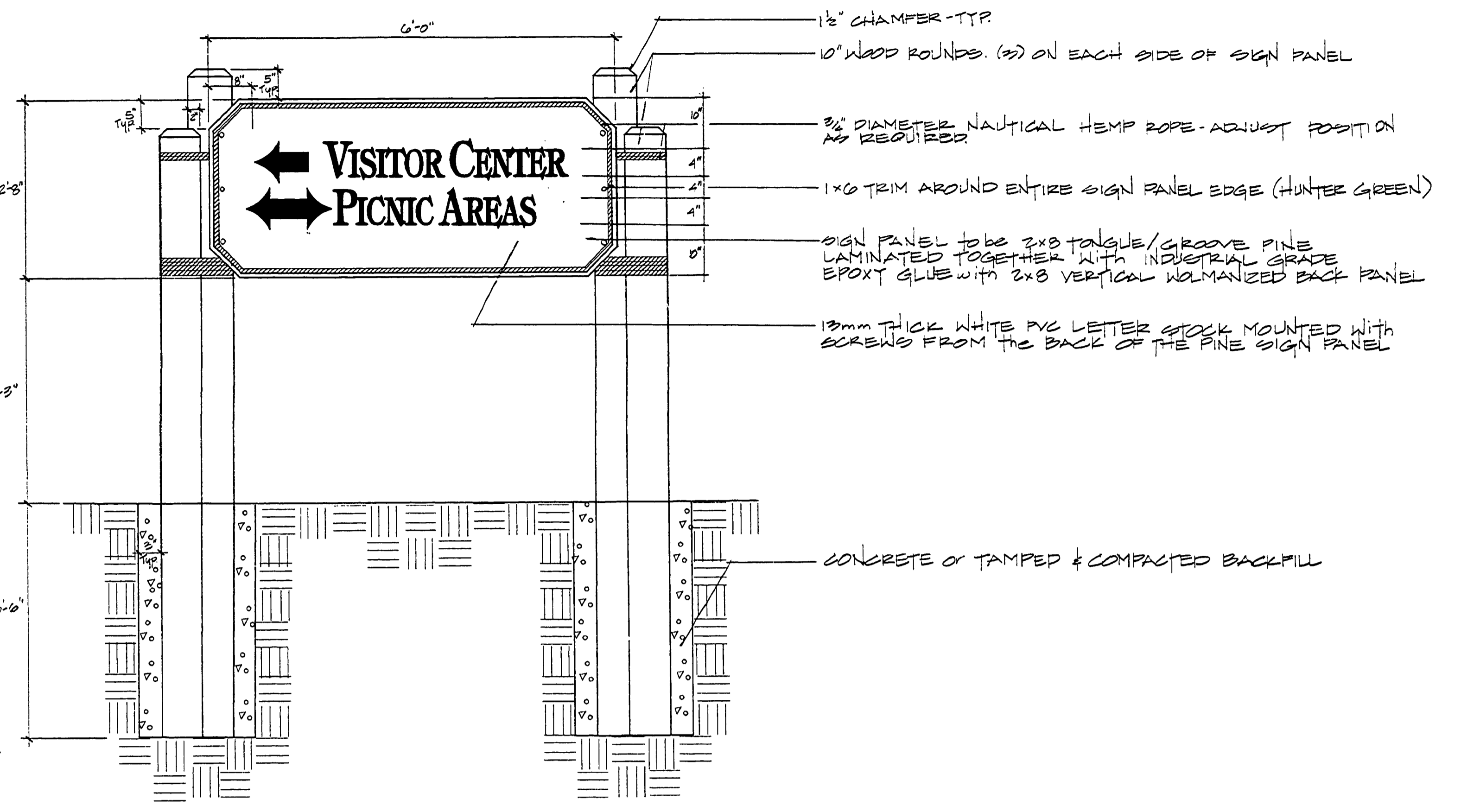


S.B.V.C. SIGN ELEVATION

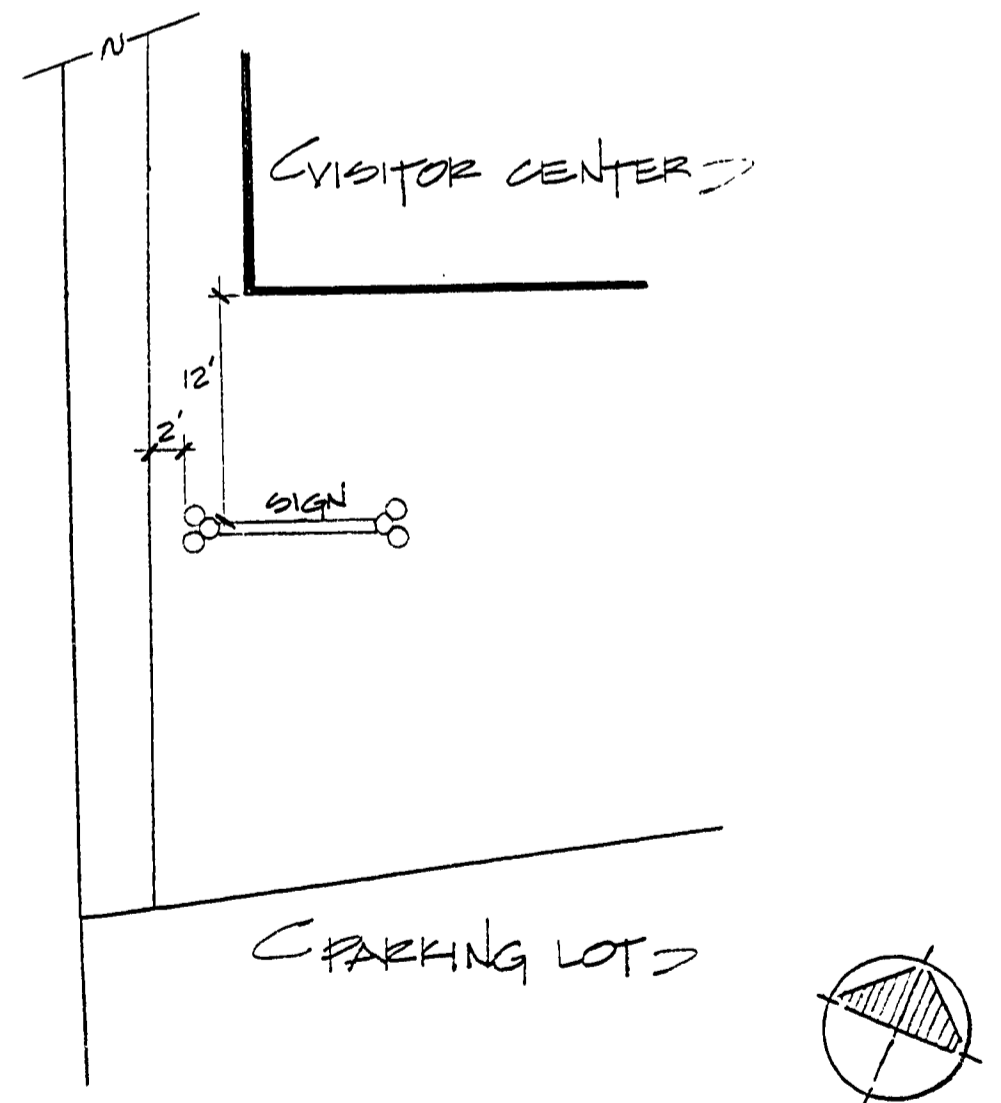
Scale: 3/4" = 1' - 0"

NOTE -
 • SIGN PANEL TO BE ATTACHED TO POST WITH GALVANIZED LAG SCREWS (6) REQUIRED
 • SIGN PANELS & POSTS TO BE MADE FROM PINE, RED/WHITE CEDAR OR FIR. MATERIAL SHALL BE WELL SEASONED W/ MOISTURE CONTENT NOT TO EXCEED 16%. POSTS SHALL BE FREE OF BARK. SIGN PANEL SHALL BE FREE OF KNOTS & DEFECTS.



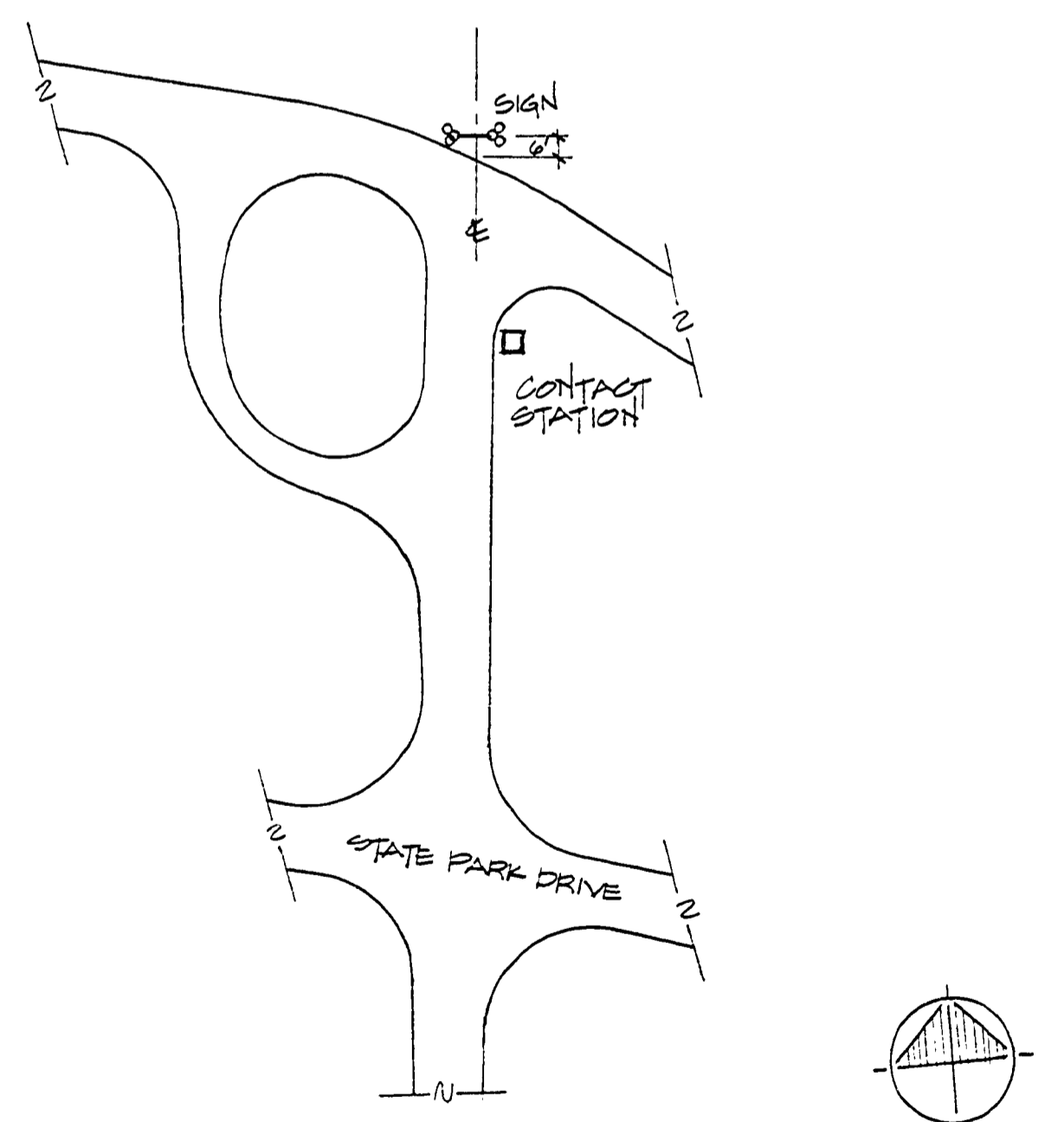
DIRECTIONAL SIGN ELEVATION

Scale: 3/4" = 1' - 0"



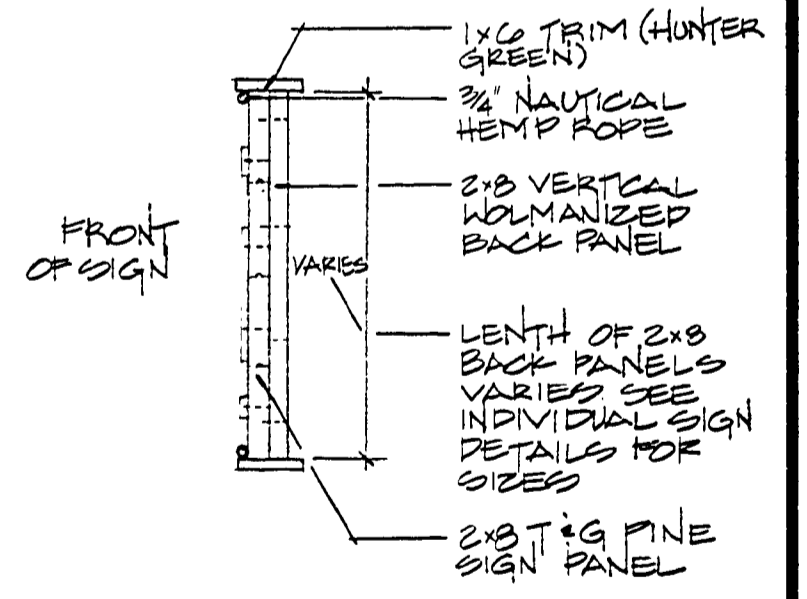
S.B.V.C. SIGN PLAN

Scale: 1" = 10'



DIRECTIONAL SIGN PLAN

Scale: 1" = 50'



PANEL DETAIL (SIDE VIEW)

Scale: 3/4" = 1' - 0"



SURVEYED BY		DRAWN BY P. Petersen		1995	NO.	DATE	BY	REVISIONS		NO.	DATE	BY	REVISIONS		MICHIGAN DEPARTMENT OF NATURAL RESOURCES PARKS & RECREATION DIVISION		Bay City State Recreation Area		PROJECT NO.	
DESIGNED BY P. Petersen		CHECKED BY P. Petersen		1995	1.					3.					PARK SIGNS		PROJECT		SHEET 3 OF 3	
DATE		DATE		DATE	2.					4.			SHEET TITLE		PLAN NO. L-132					