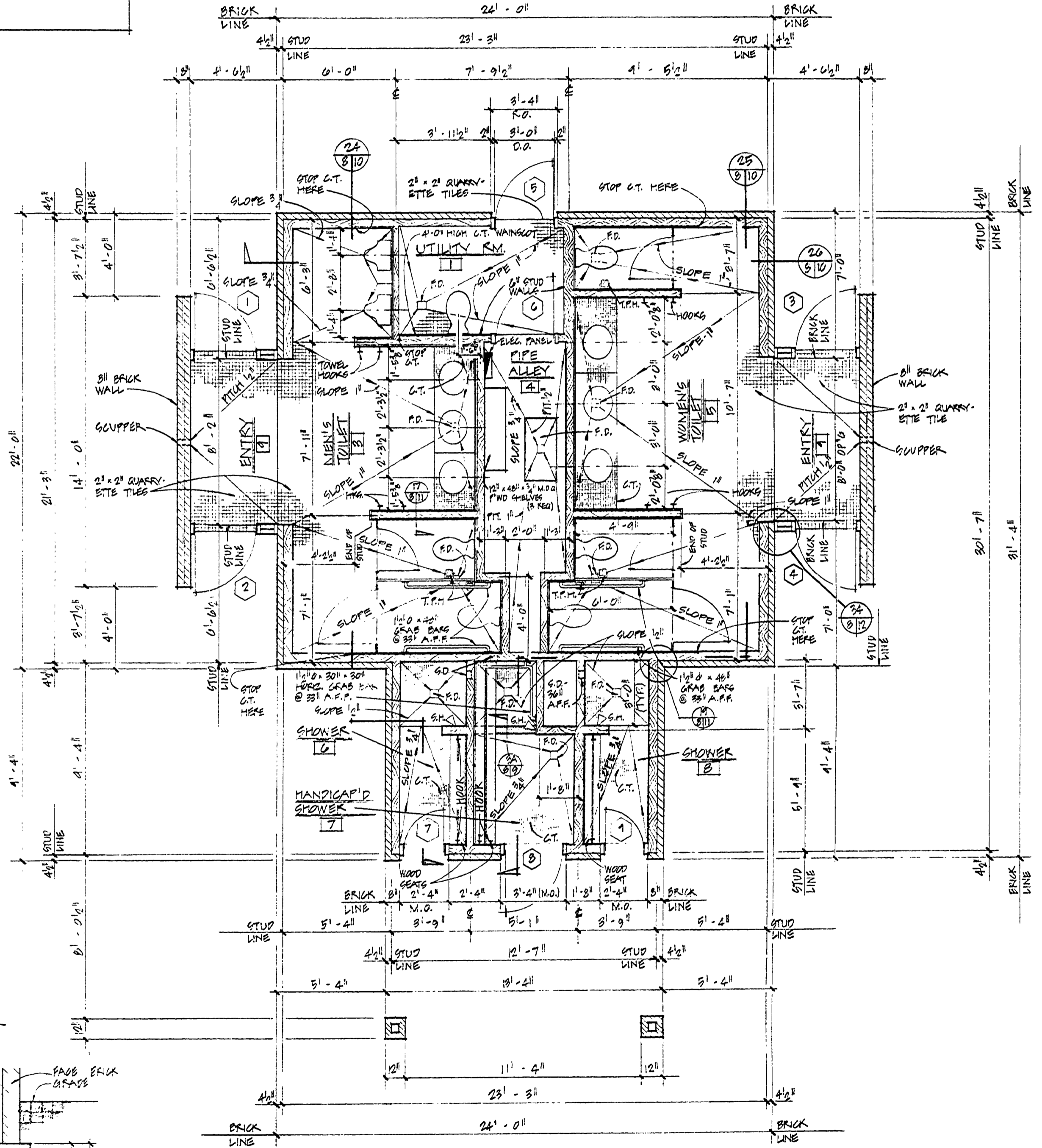
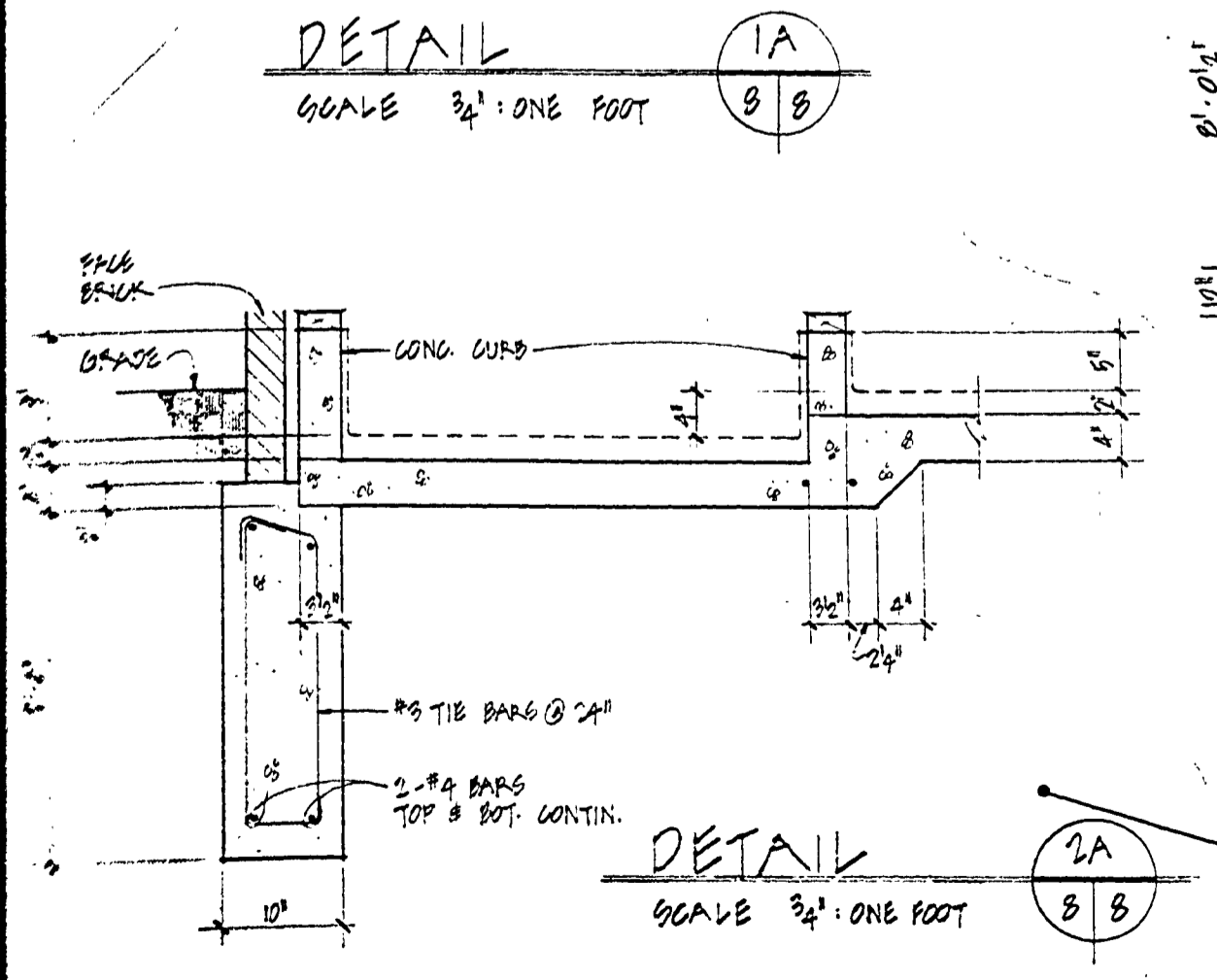
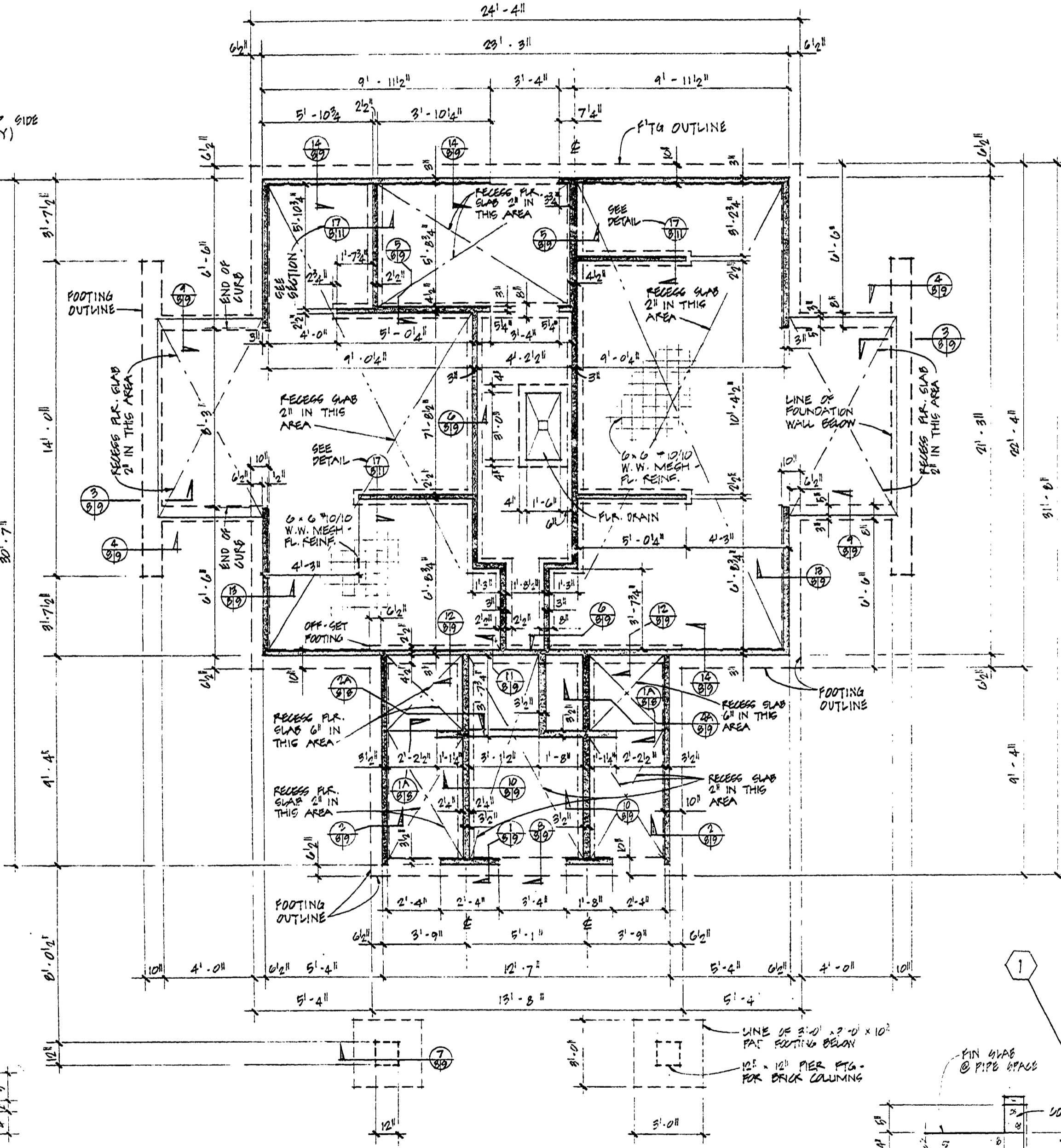
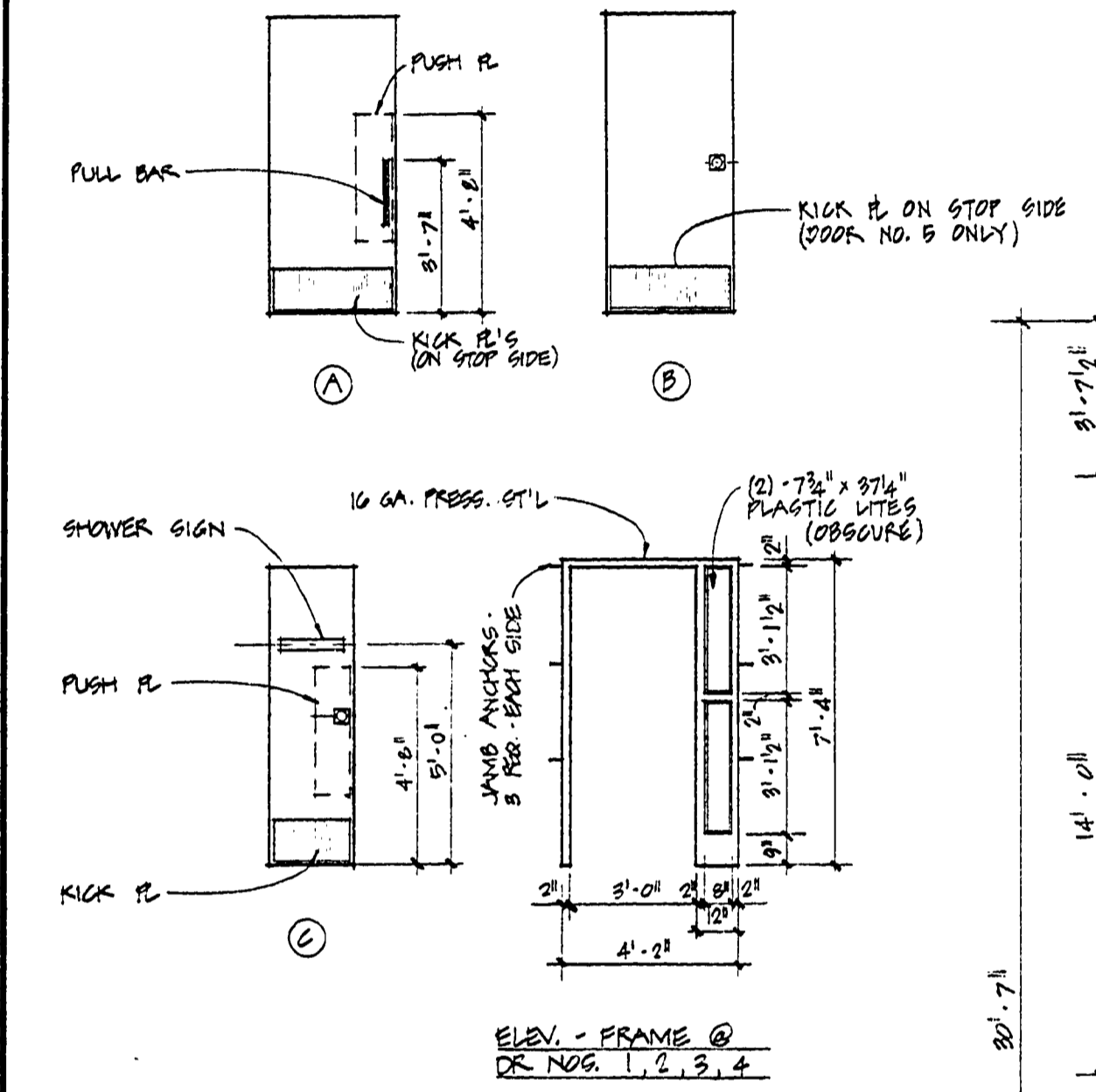
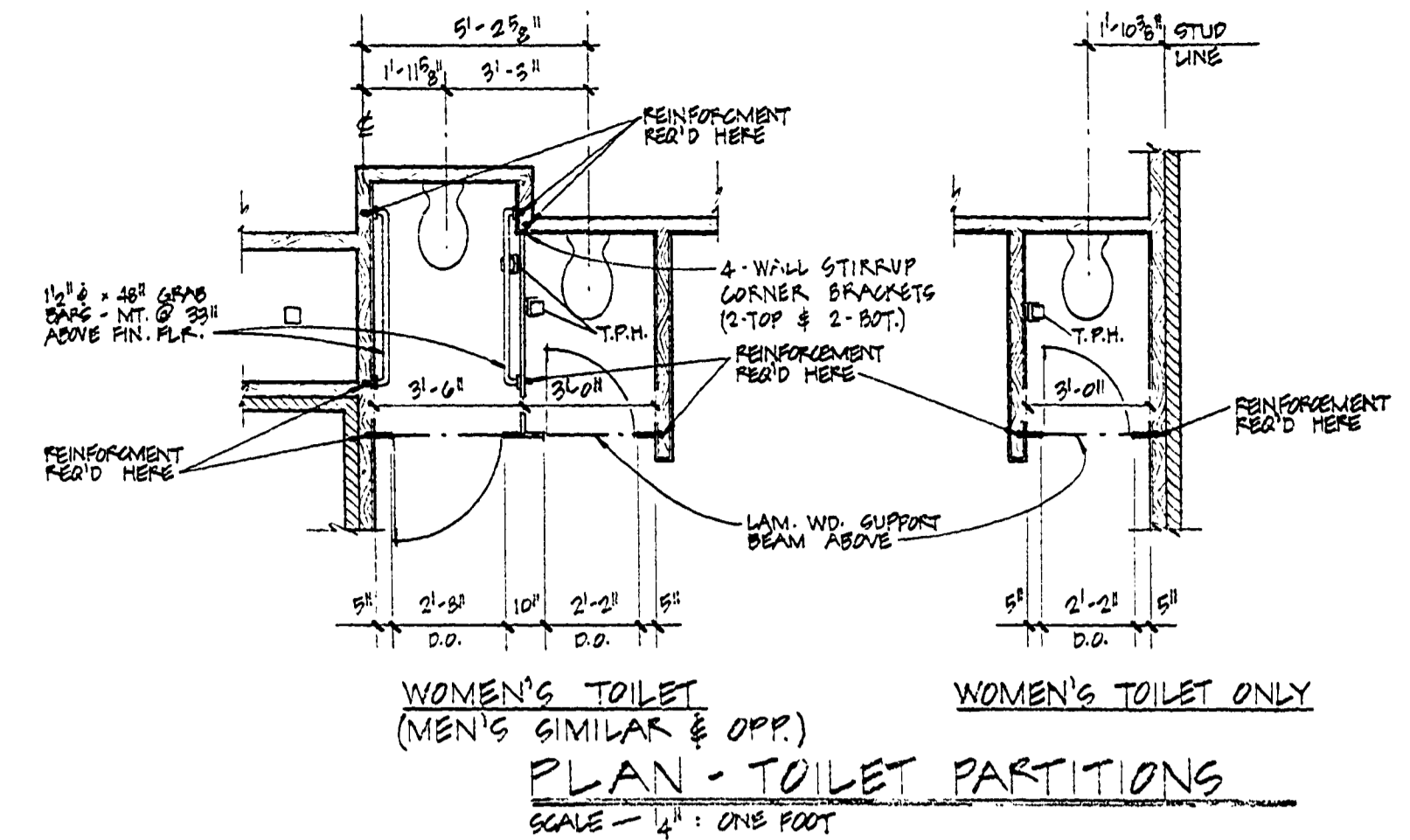


DOOR SCHEDULE						
MARK	SIZE OF OPENING	MATERIAL	FRAME	TYPE	CLOSER	REMARKS
1	3'-0" x 7'-2"	1 3/4" THK H.M.	PRESS. STL	A	REQ'D	
2	3'-0" x 7'-2"	1 3/4" THK H.M.	PRESS. STL	A	REQ'D	
3	3'-0" x 7'-2"	1 3/4" THK H.M.	PRESS. STL	A	REQ'D	
4	3'-0" x 7'-2"	1 3/4" THK H.M.	PRESS. STL	A	REQ'D	
5	3'-0" x 7'-2"	1 3/4" THK H.M.	PRESS. STL	B	REQ'D	
6	3'-0" x 7'-2"	1 3/4" THK H.M.	PRESS. STL	B		
7	2'-0" x 7'-2"	1 3/4" THK H.M.	PRESS. STL	C	REQ'D	
8	3'-0" x 7'-2"	1 3/4" THK H.M.	PRESS. STL	C	REQ'D	
9	2'-0" x 7'-2"	1 3/4" THK H.M.	PRESS. STL	C	REQ'D	
10						

ROOM FINISH SCHEDULE						
RM. #	ROOM NAME	FLOOR	BASE	WALL	CEILING	REMARKS
1	UTILITY RM.		9"-0" COMPRESSED TIE 1"-11" LEADING TIE CONCRETE	9"-0" COMPRESSED TIE 1"-11" LEADING TIE CONCRETE	9"-0" COMPRESSED TIE 1"-11" LEADING TIE CONCRETE	2'-0" HIGH HANGOUT
2 & 9	ENTRY					
3	MEN'S TOILET					
4	PIPE ALLEY					
5	WOMEN'S TOILET					
6	SHOWER					
7	HANDICAP'D SHOWER					
8	SHOWER					



APPROVED BY	DRAWN BY	1/77	NO. DATE BY	REVISIONS	NO. DATE BY	REVISIONS	MICHIGAN DEPARTMENT OF NATURAL RESOURCES	FLOOR & FOUNDATION PLANS, SCHEDULES	BAY CITY STATE PARK AREA OR PARK TOILET & SHOWER PROJECT BLDG NO. 2	PROJECT NO. 24-1582
DESIGNED BY	CHECKED BY		1 9-7-77	ADD DETAILS	3.					SHEET 8 OF 34 PLAN NO. A-111