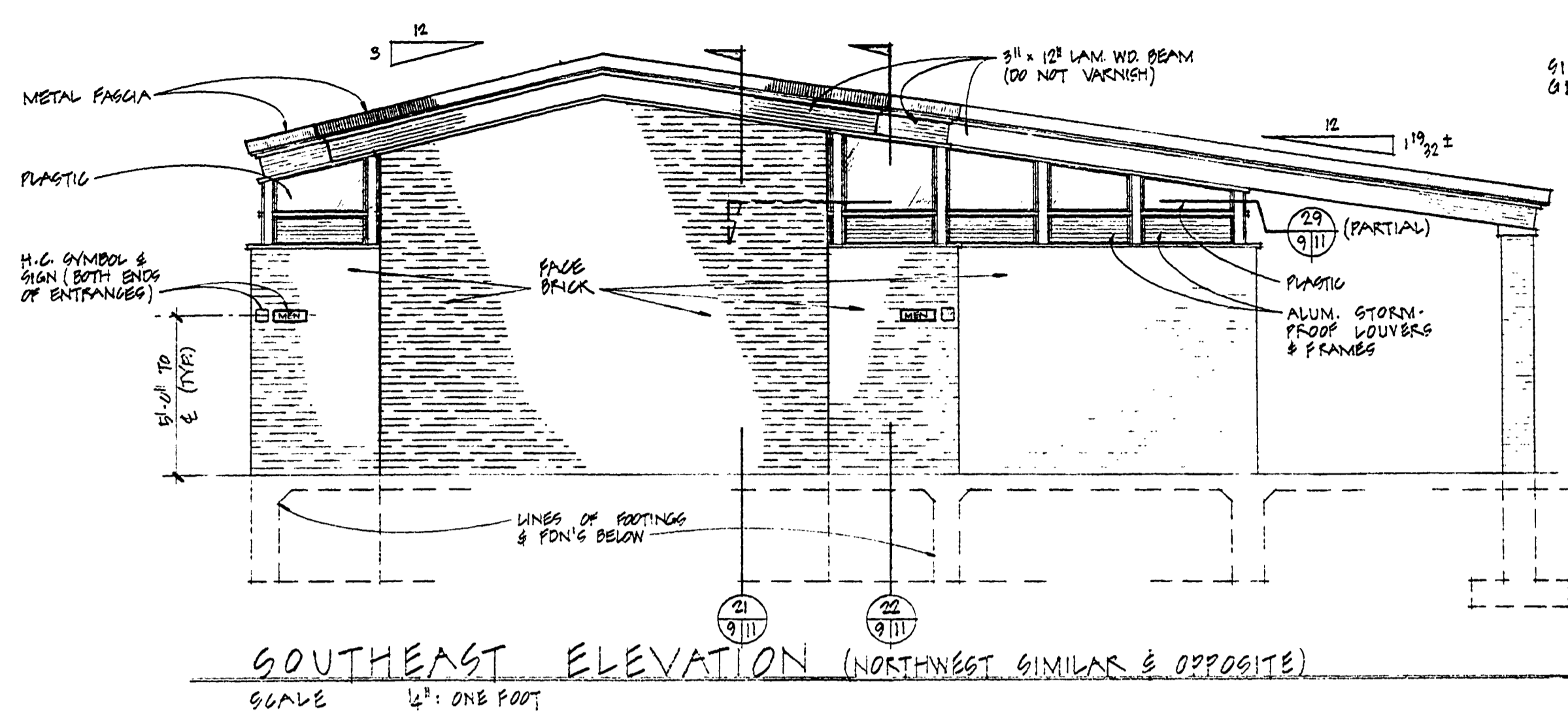
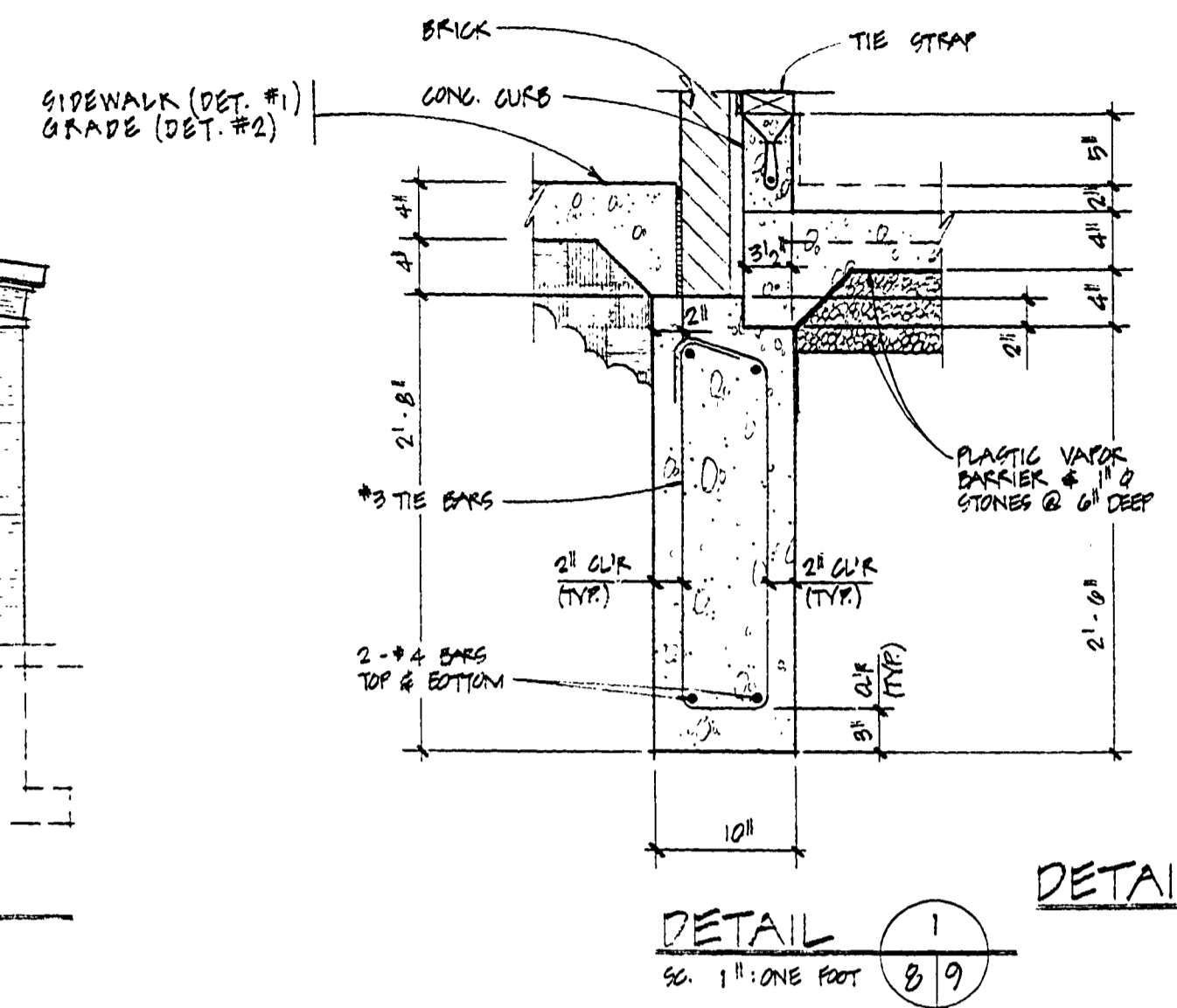


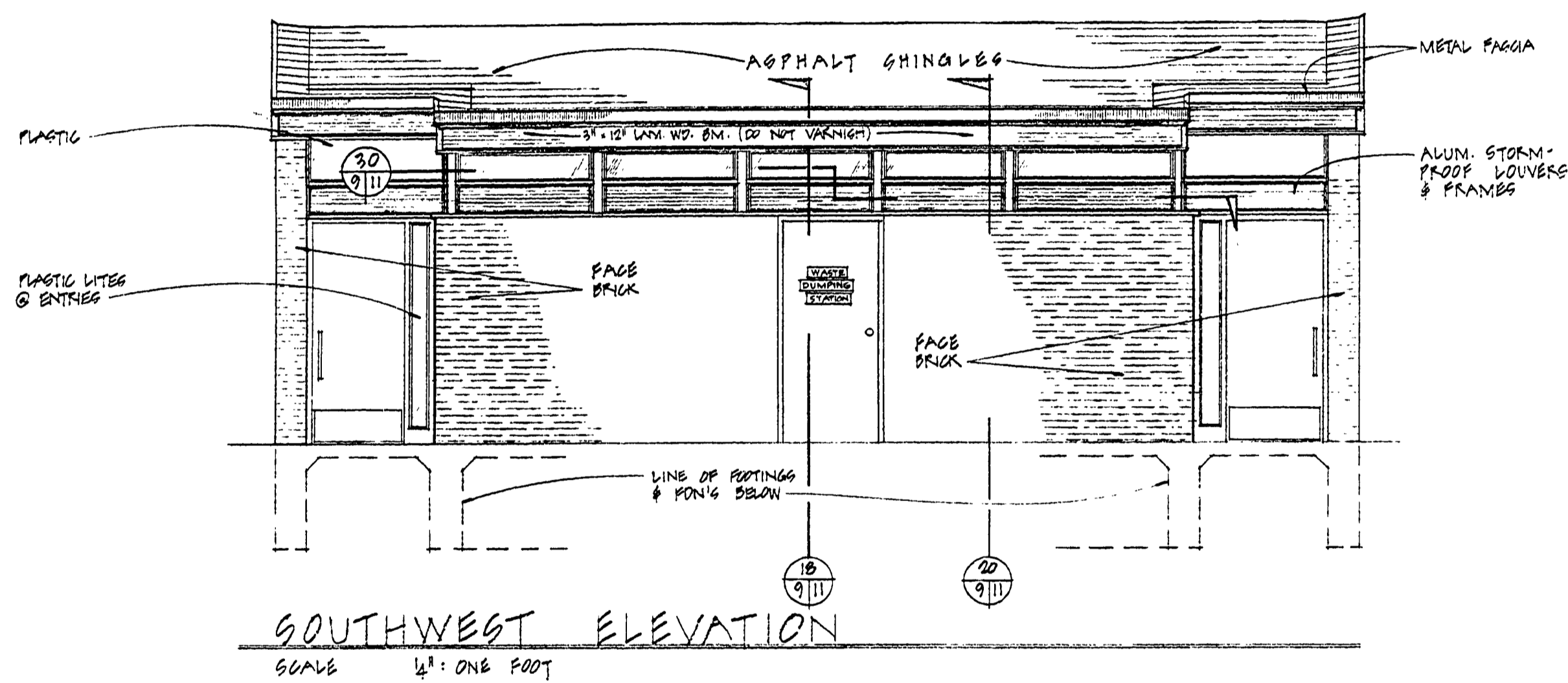
NORTHEAST ELEVATION
SCALE 1/4" = ONE FOOT



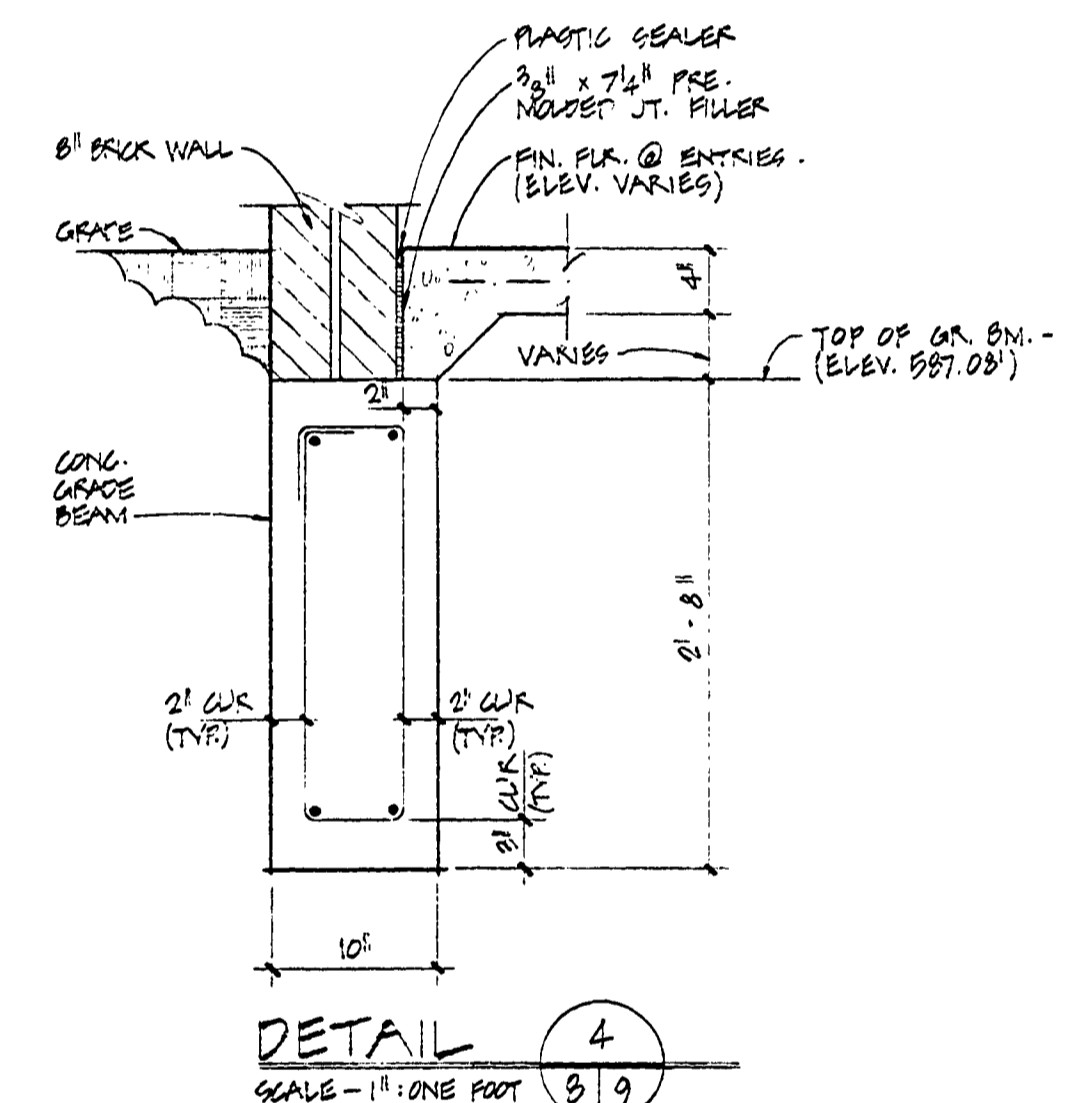
SOUTHEAST ELEVATION (NORTHWEST SIMILAR & OPPOSITE)
SCALE 1/4" = ONE FOOT



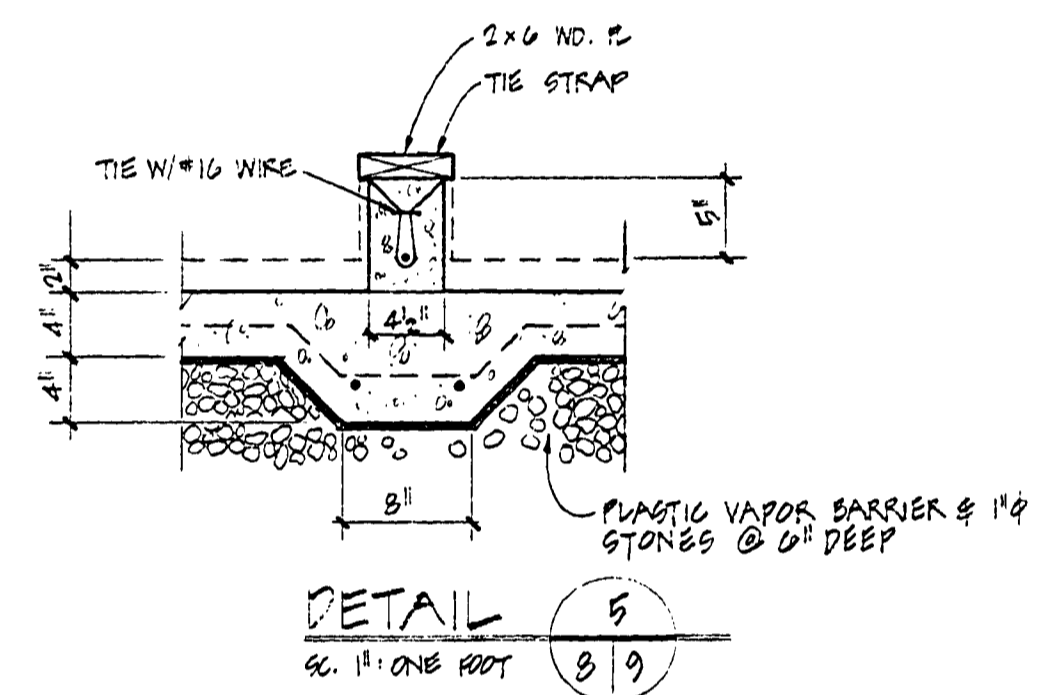
DETAIL 1 AS NOTED
SCALE 1" = ONE FOOT



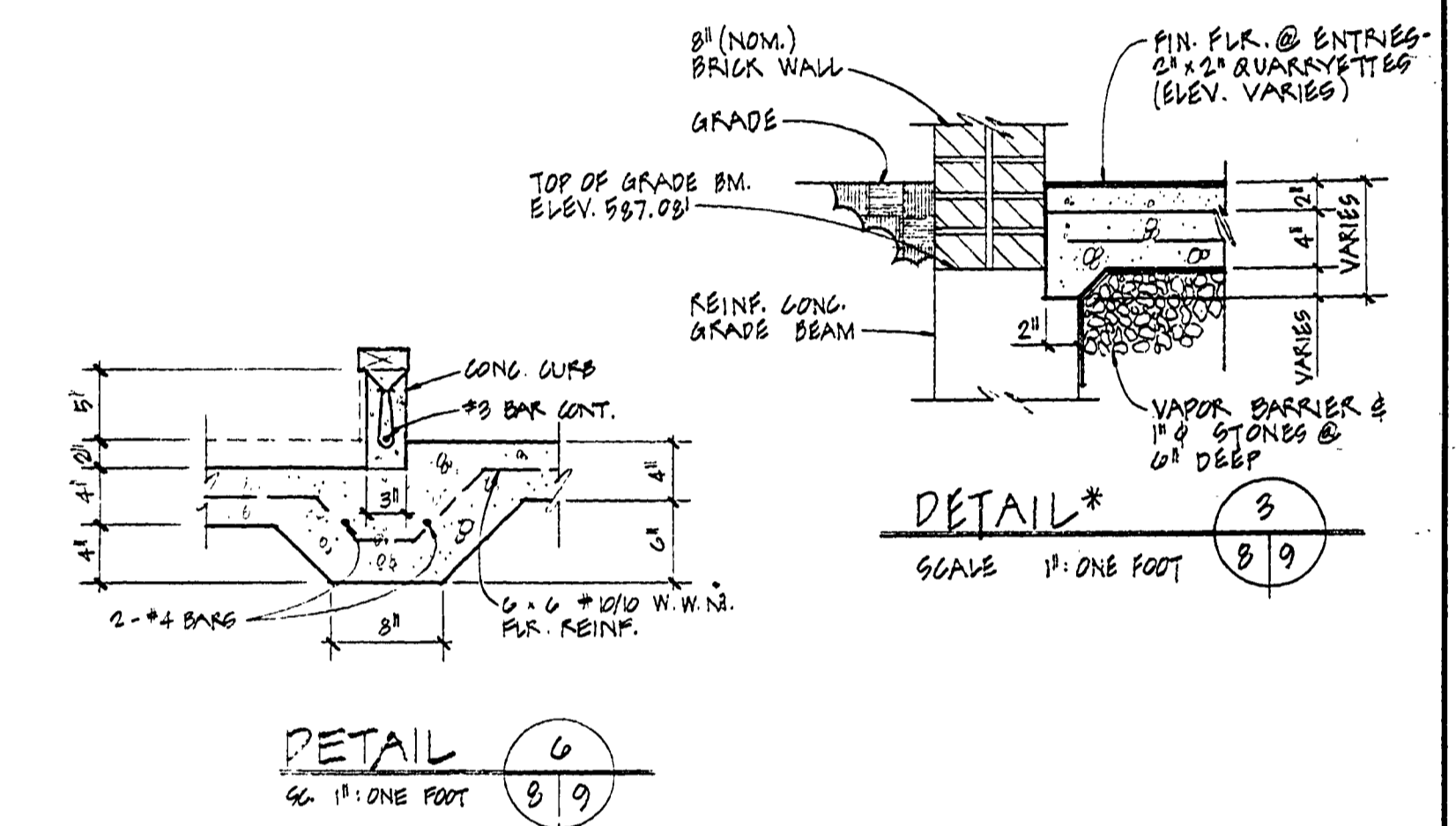
SOUTHWEST ELEVATION
SCALE 1/4" = ONE FOOT



DETAIL 4
SCALE 1" = ONE FOOT

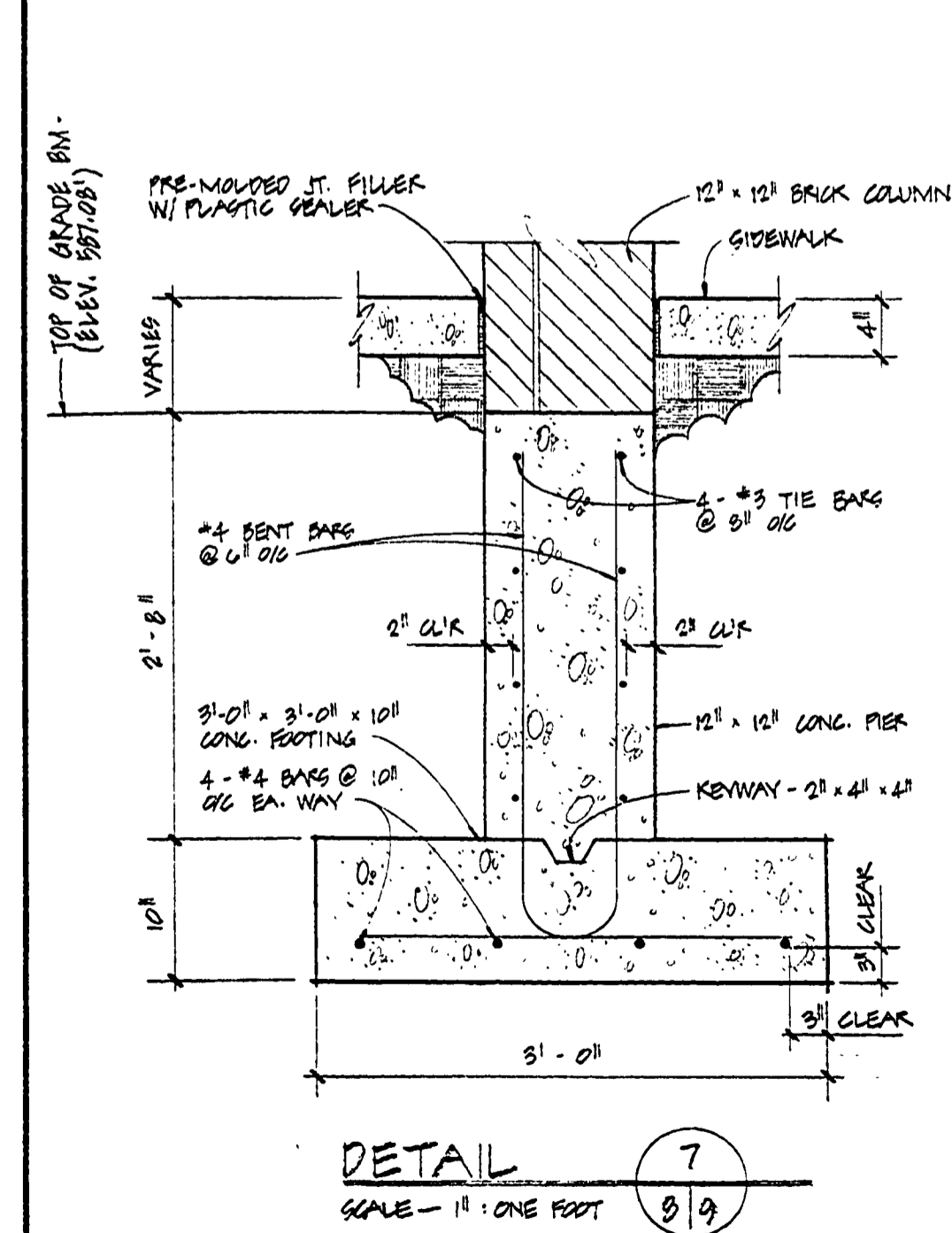


DETAIL 5
SCALE 1" = ONE FOOT

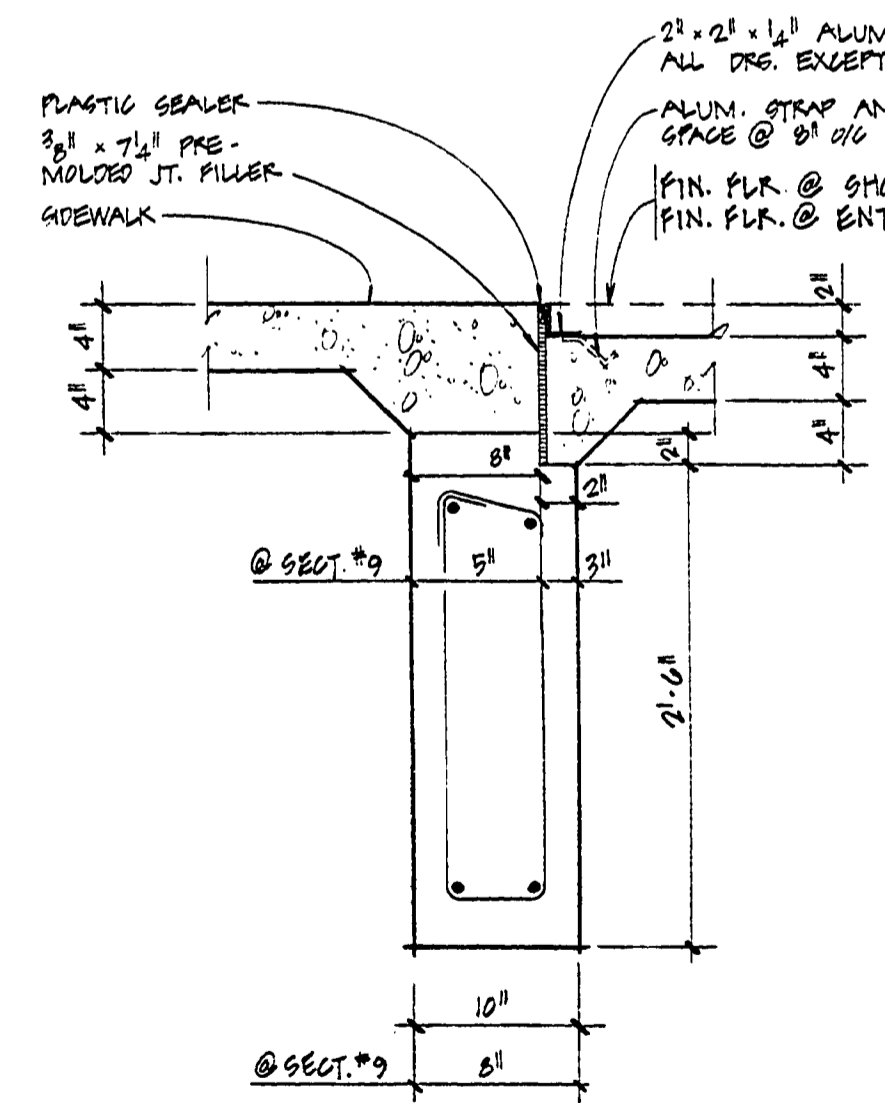


DETAIL 6
SCALE 1" = ONE FOOT

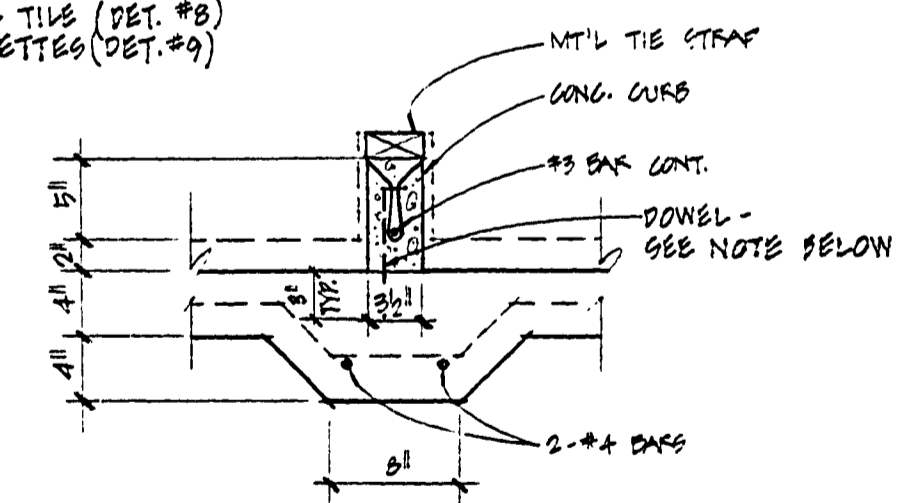
DETAIL 3
SCALE 1" = ONE FOOT



DETAIL 7
SCALE 1" = ONE FOOT

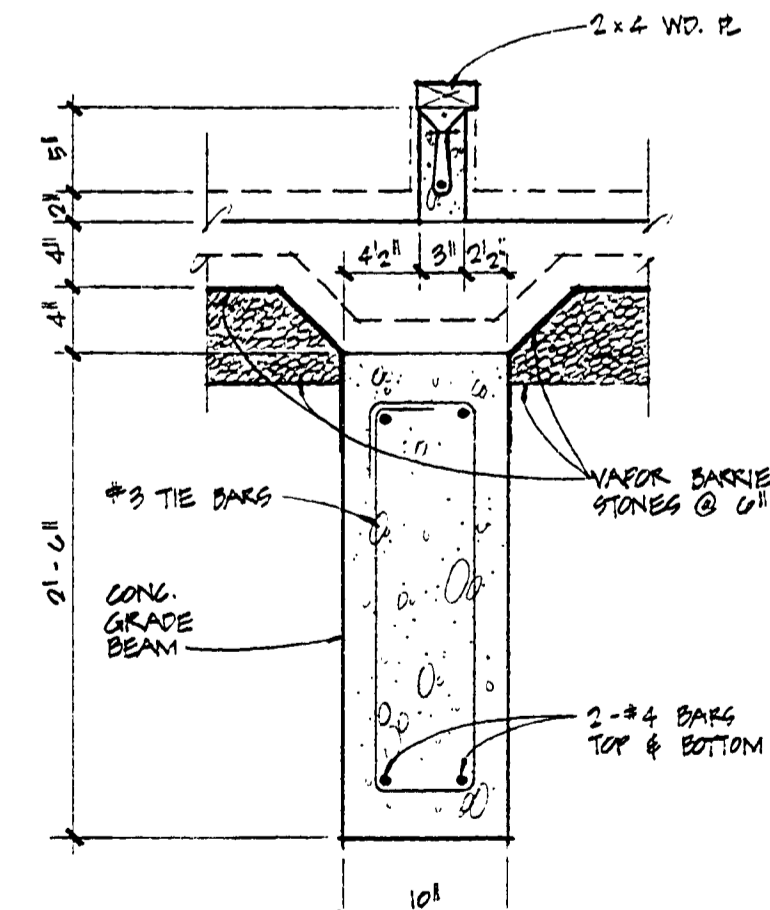


DETAIL 8
SCALE 1" = ONE FOOT

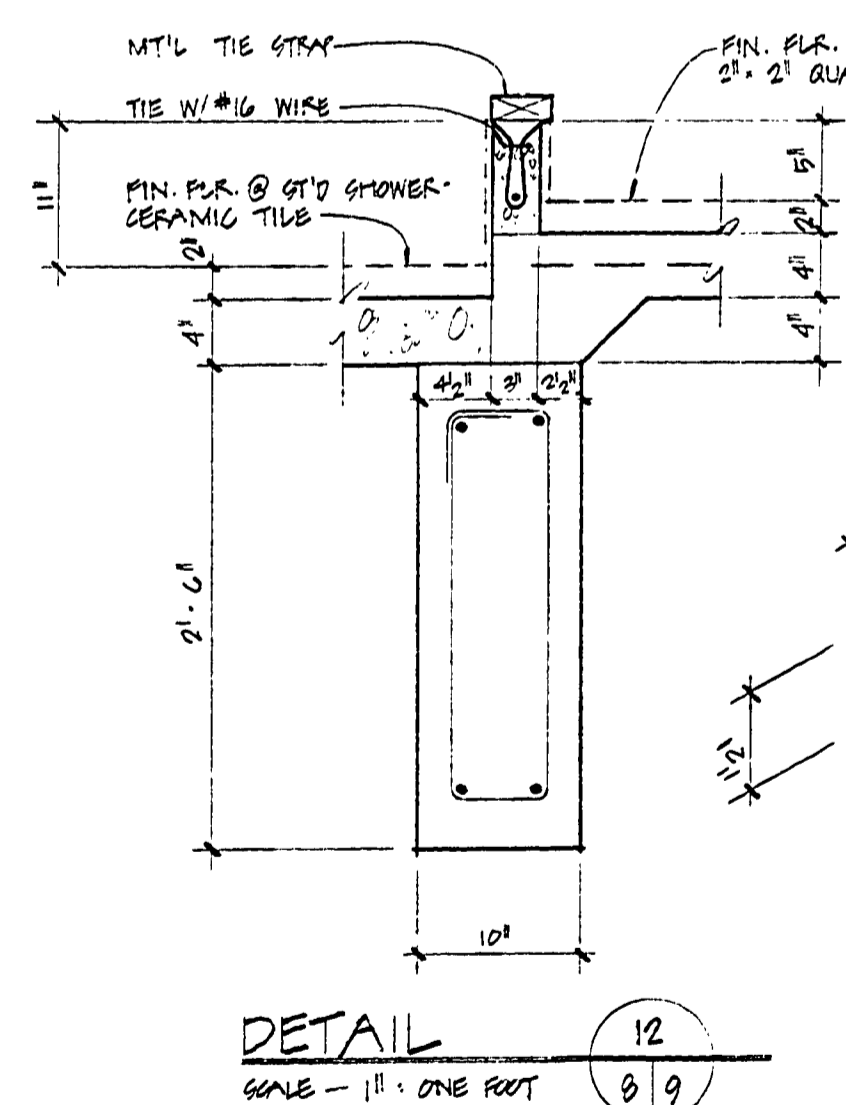


DETAIL 10
SCALE 1" = ONE FOOT

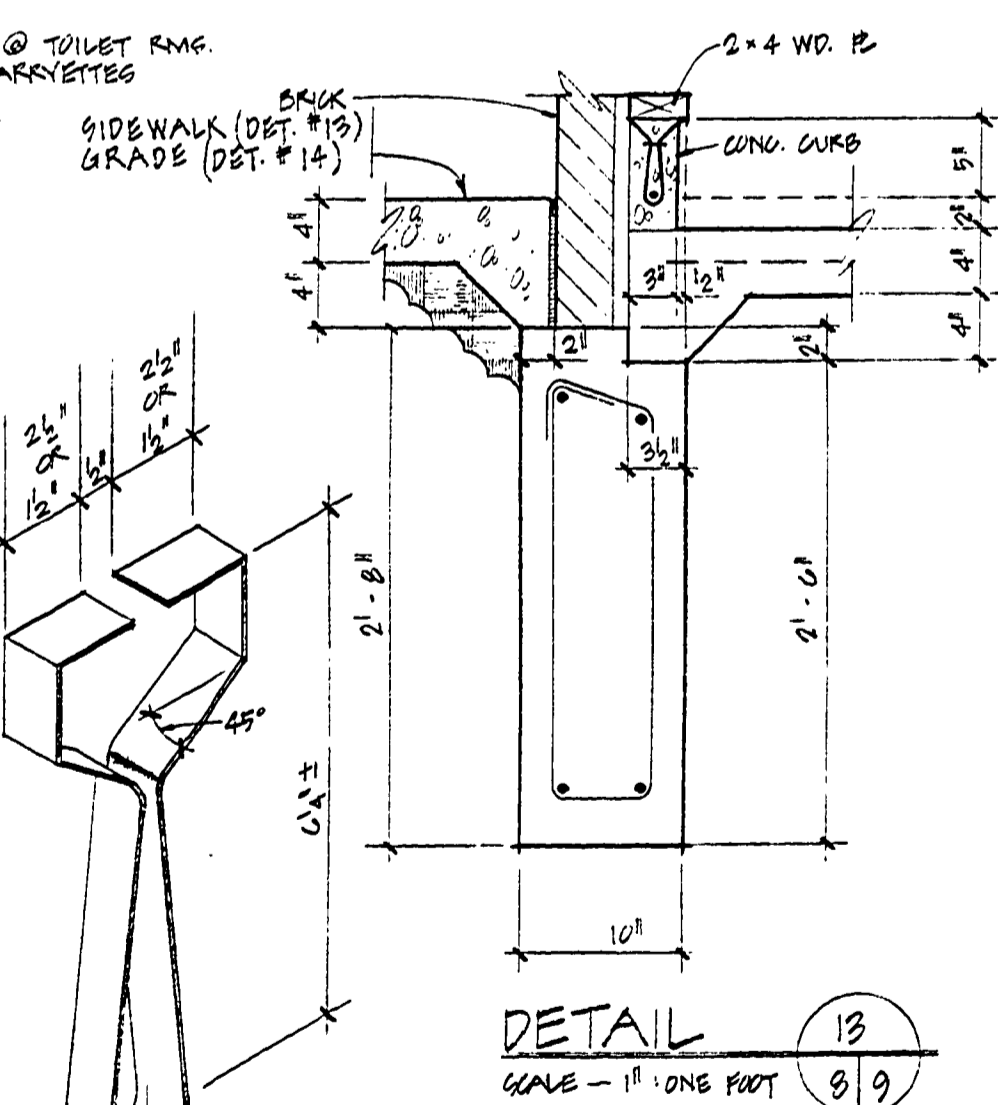
NOTE: AT ALL CONCRETE CURBS PROVIDE #3 x 0'-8" DOWNLGS @ 2'-0" O.C. ALTERNATE W/ TIE STRAPS (TYPICAL)



DETAIL 11
SCALE 1" = ONE FOOT



DETAIL 12
SCALE 1" = ONE FOOT



DETAIL 13
SCALE 1" = ONE FOOT

ISOMETRIC VIEW OF TIE STRAP

TIE STRAP @ DETAIL 13 IS TO BE SIMPSON'S MODEL ST-22 1 1/2" WIDE x 2 1/8" LONG.
 (1) - 10d x 1 1/2" NAILS PER SIDE
 (2) - 10d x 1 1/2" NAILS ON TOP

NOT TO SCALE
 TIE STRAP TO BE SIMPSON'S MODEL ST-22 1 1/2" WIDE x 2 1/8" LONG.
 (1) - 10d x 1 1/2" NAILS PER SIDE
 (2) - 10d x 1 1/2" NAILS ON TOP

DETAIL 14 AS NOTED
SCALE 1" = ONE FOOT

SURVEYED BY	DRAWN BY	1/77	NO. DATE BY	REVISIONS	NO. DATE BY	REVISIONS	MICHIGAN DEPARTMENT OF NATURAL RESOURCES	ELEVATIONS & DETAILS SHEET TITLE	BAY CITY STATE PARK AREA OR PARK TOILET & SHOWER BLDG. NO 2 PROJECT	PROJECT NO. 24-1582	SHEET 9 OF 34	PLAN NO. A-111
DESIGNED BY	CHECKED BY	DATE	1.		3.							
			2.		4.							