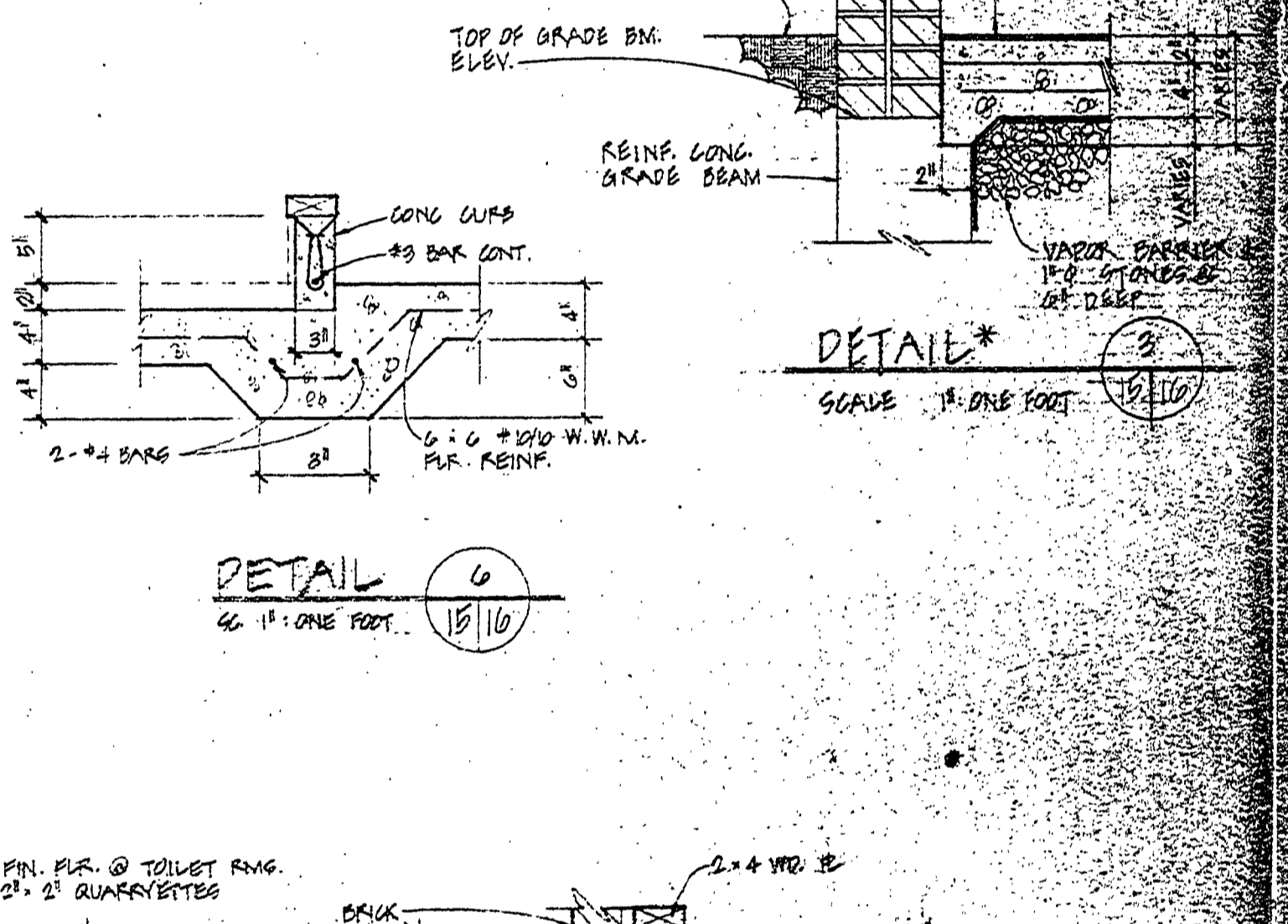
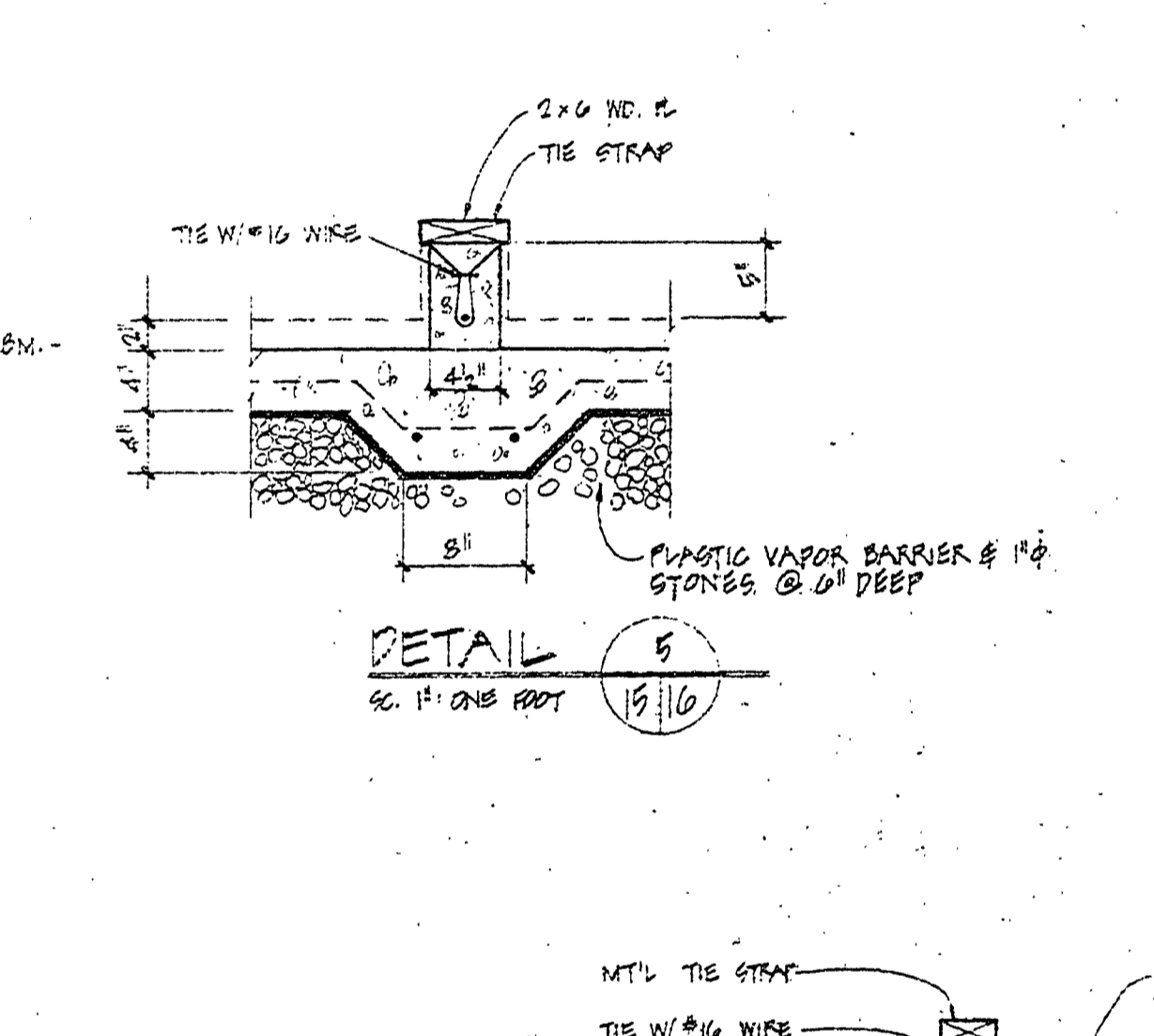
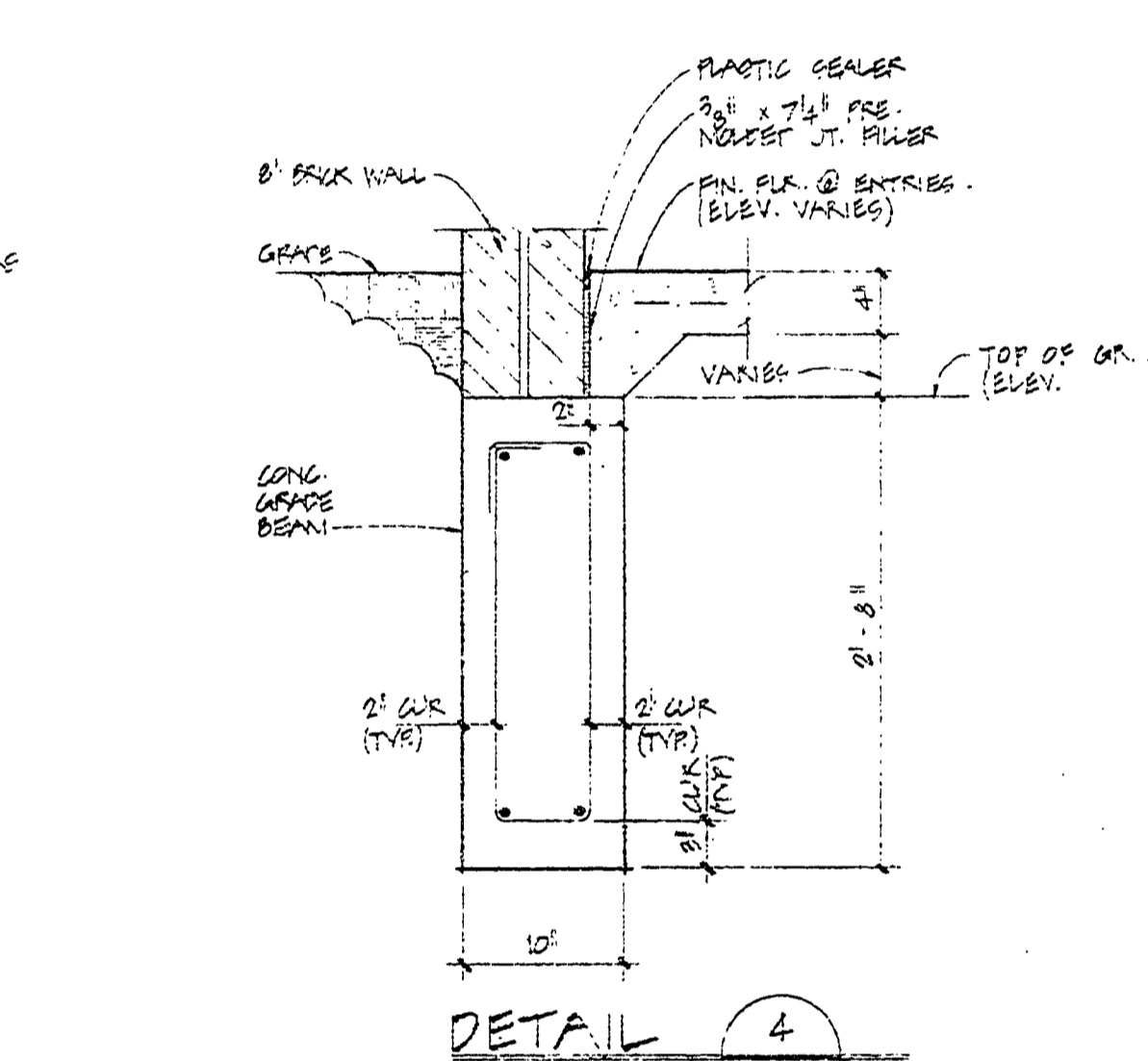
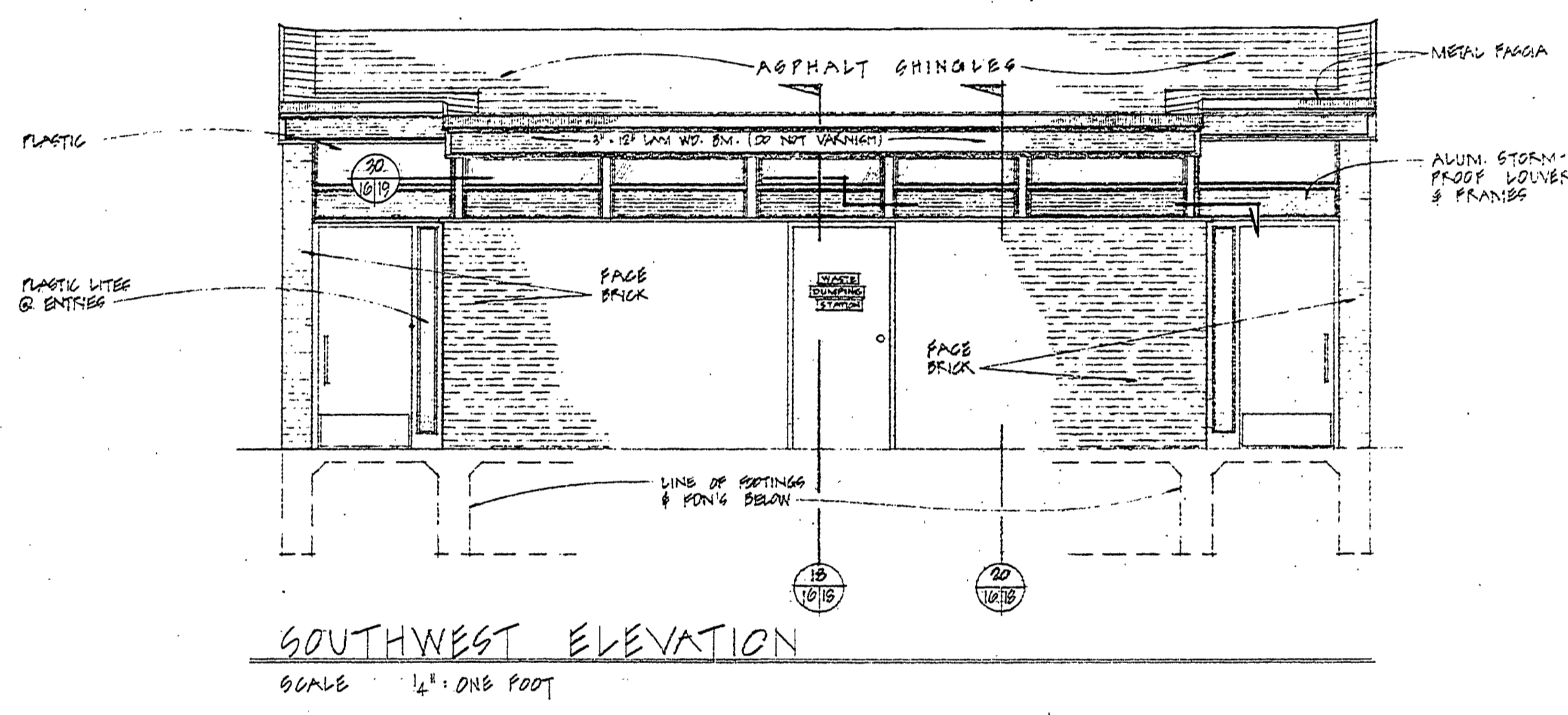


NORTHEAST ELEVATION
SCALE 1/4" = ONE FOOT

SOUTHEAST ELEVATION (NORTHEAST SIMILAR & OPPOSITE)
SCALE 1/4" = ONE FOOT

DETAIL 1
SCALE 1" = ONE FOOT

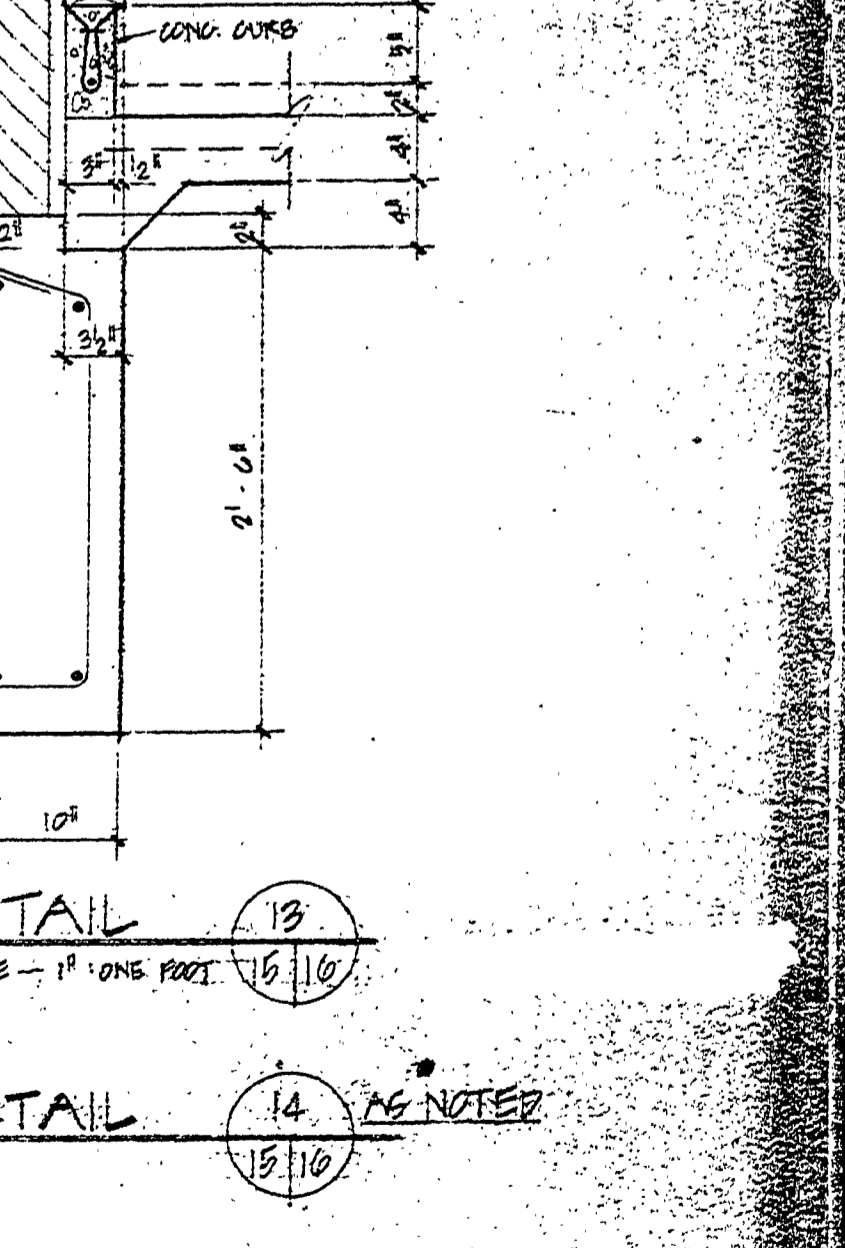
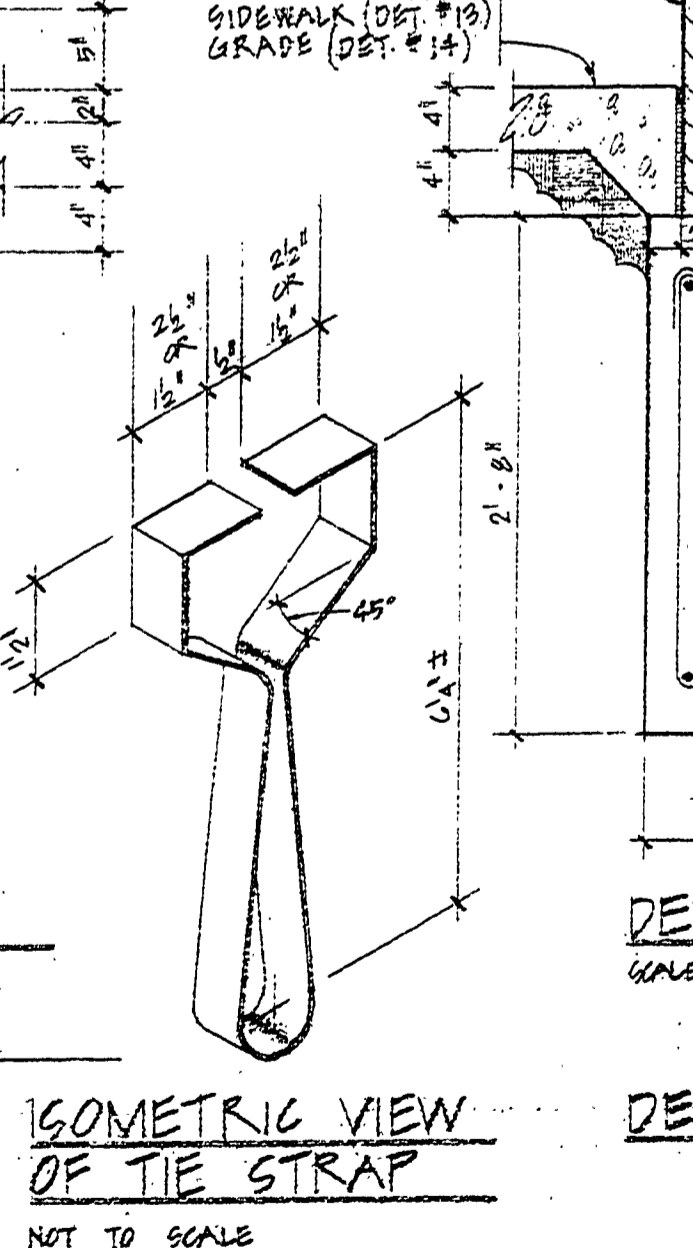
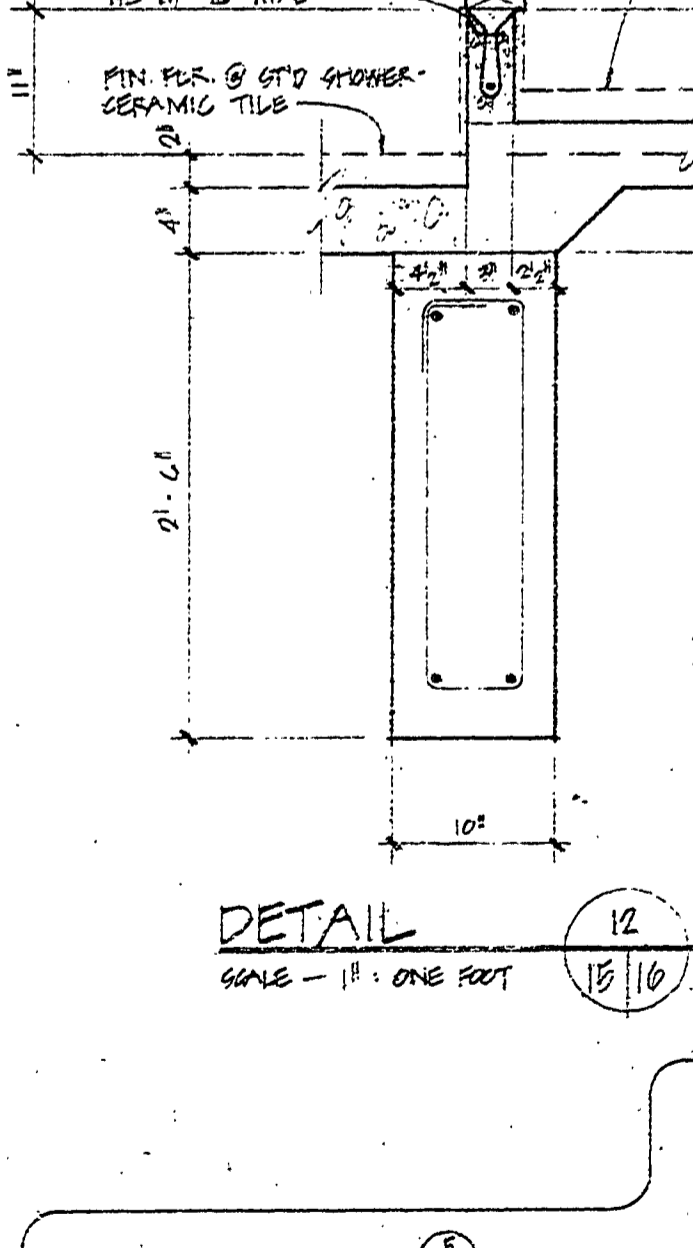
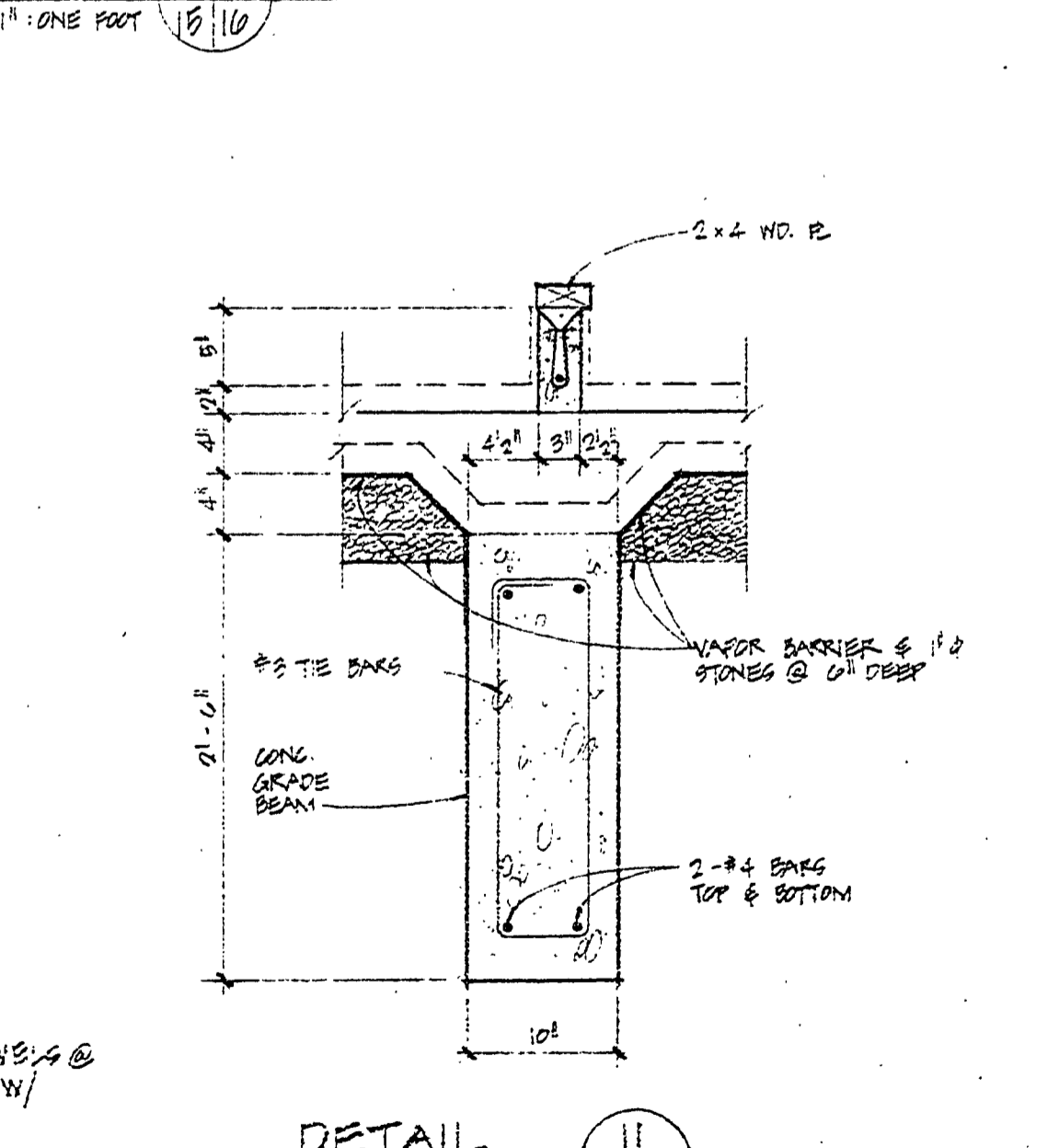
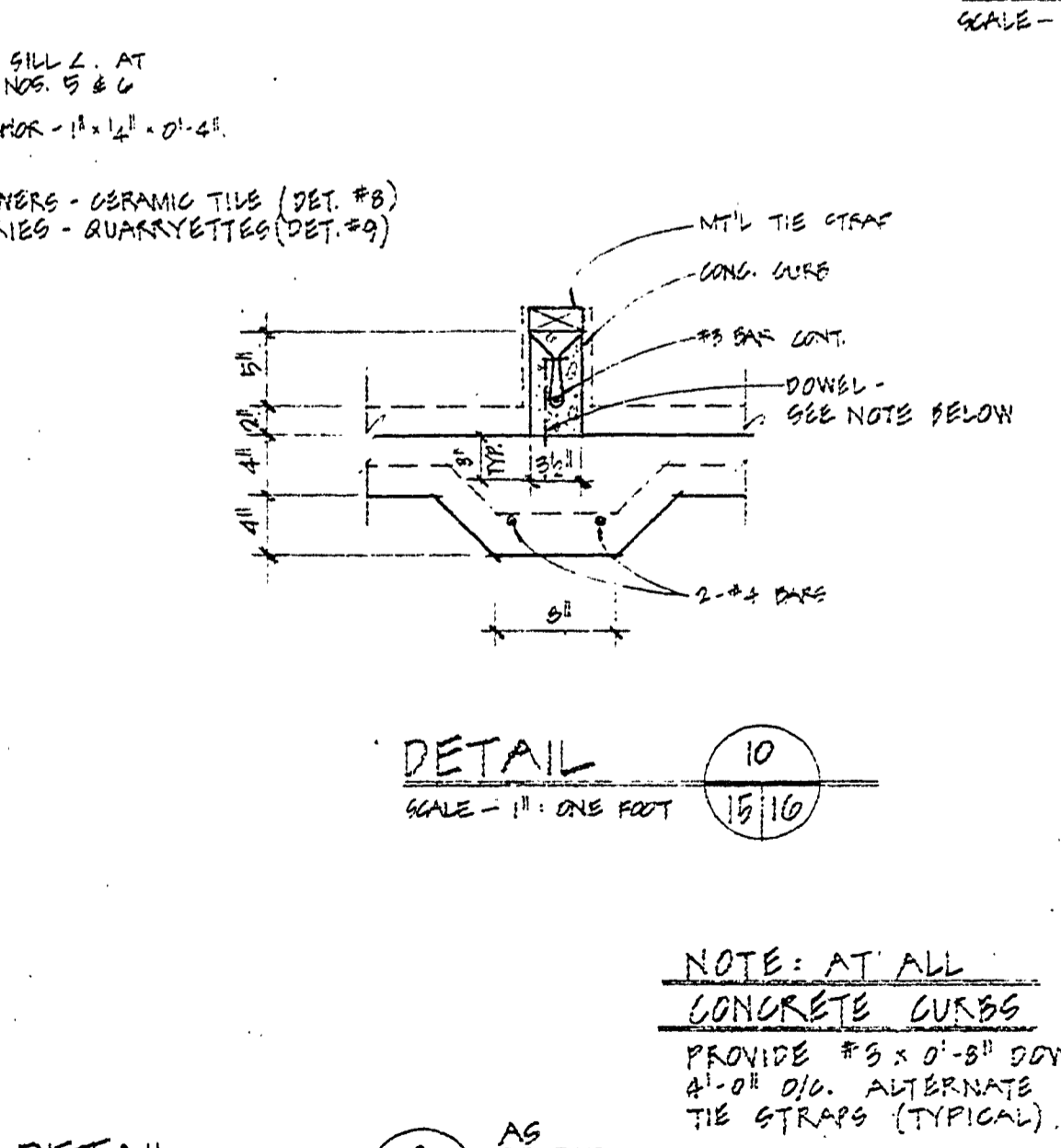
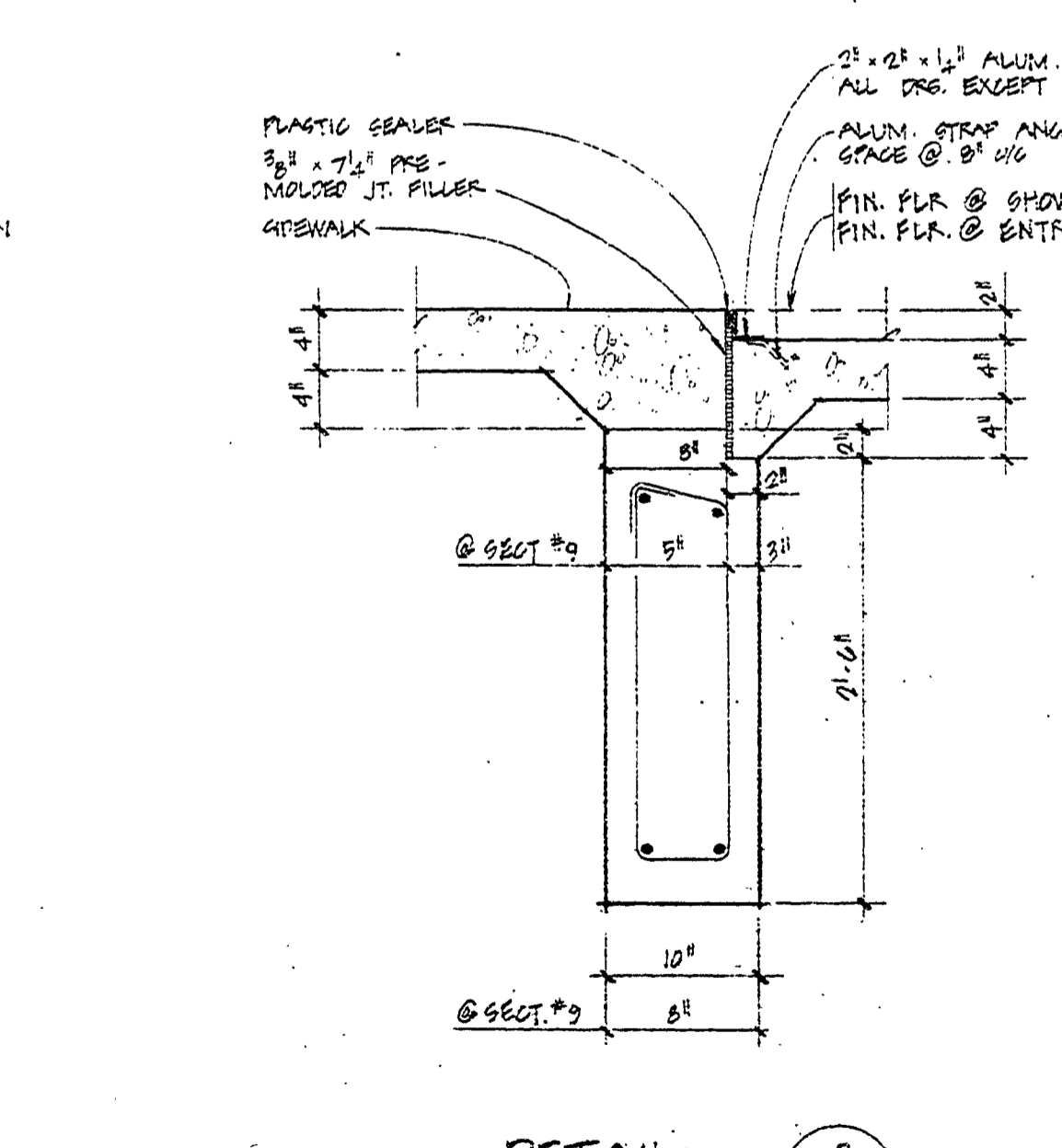
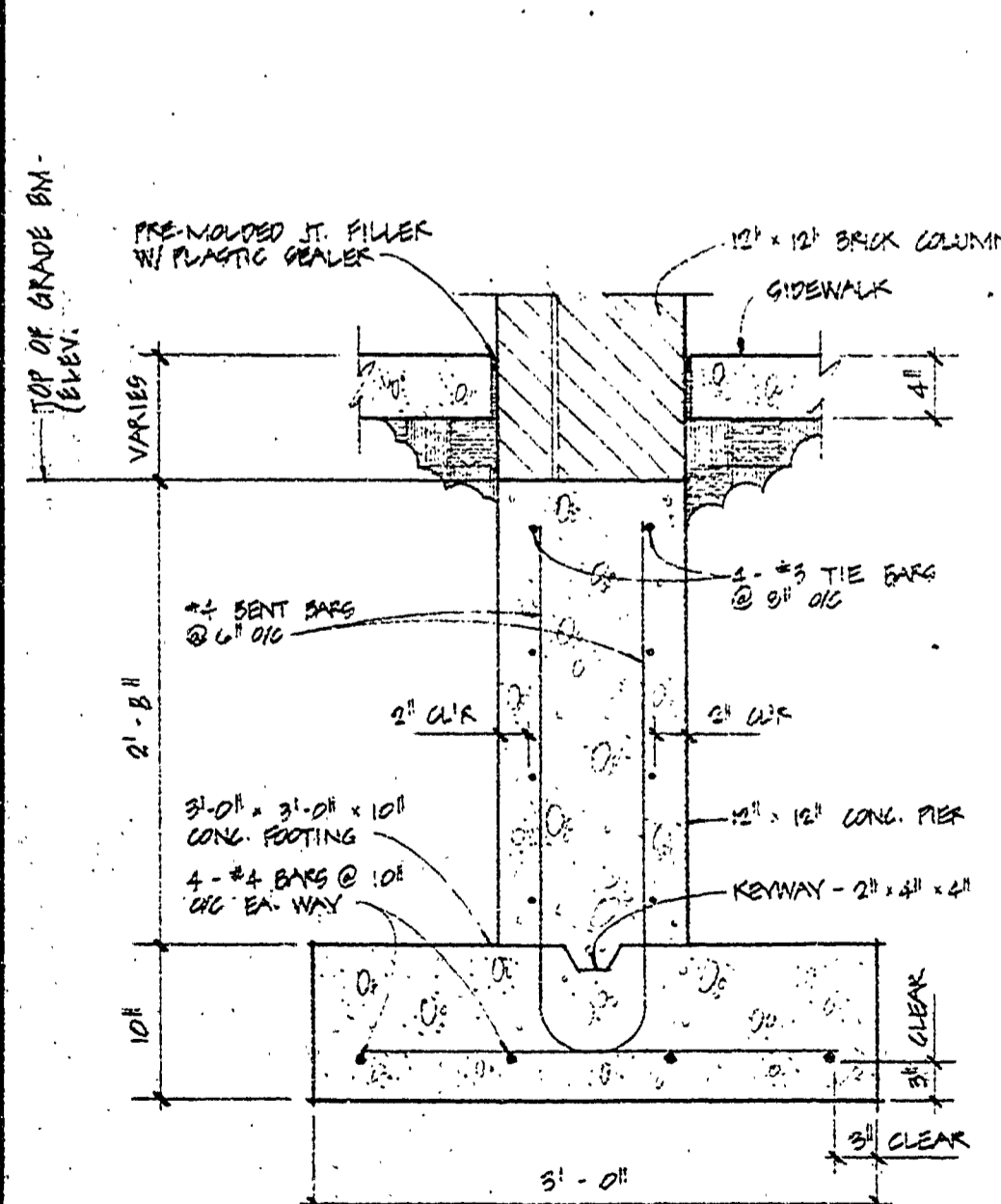


SOUTHWEST ELEVATION
SCALE 1/4" = ONE FOOT

DETAIL 4
SCALE 1" = ONE FOOT

DETAIL 5
SCALE 1" = ONE FOOT

DETAIL 6
SCALE 1" = ONE FOOT



DETAIL 7
SCALE 1" = ONE FOOT

DETAIL 8
SCALE 1" = ONE FOOT

DETAIL 9
SCALE 1" = ONE FOOT

DETAIL 10
SCALE 1" = ONE FOOT

DETAIL 11
SCALE 1" = ONE FOOT

DETAIL 12
SCALE 1" = ONE FOOT

DETAIL 13
SCALE 1" = ONE FOOT

DETAIL 14
SCALE 1" = ONE FOOT

NOTE: AT ALL CONCRETE CURBS
PROVIDE #3 x 0'-8" DOWELS @ 4'-0" O.C. ALTERNATE W/ TIE STRAPS (TYPICAL).

ISOMETRIC VIEW OF TIE STRAP
NOT TO SCALE
TIE STRAP TO BE SIMPSON'S MODEL NO. ST-02; 1 1/2" WIDE x 2 1/2" LONG.
• (2) - 100 x 1 1/2" NAILS PER SIDE
• (2) - 100 x 1 1/2" NAILS ON TOP

SURVEYED BY	DRAWN BY	1/77	NO. DATE BY	REVISIONS	NO. DATE BY	REVISIONS	MICHIGAN DEPARTMENT OF NATURAL RESOURCES	ELEVATIONS & DETAILS	RAY CITY STATE PARK AREA OR PARK	PROJECT NO. 24-1582
DESIGNED BY	CHECKED BY		1.		3.			SHEET TITLE	TOILET & SHOWER BLDG. NO. 3	SHEET 16 OF 34
	DATE		2.		4.				PROJECT	PLAN NO. A-111