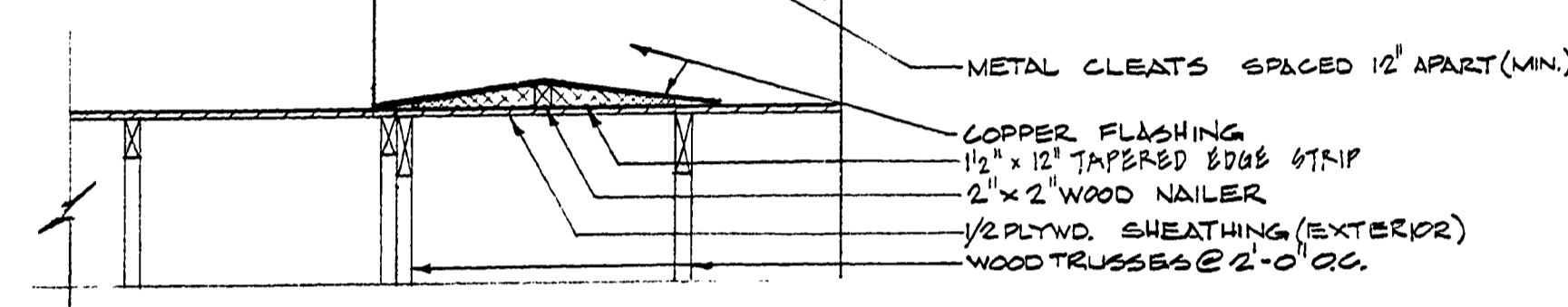
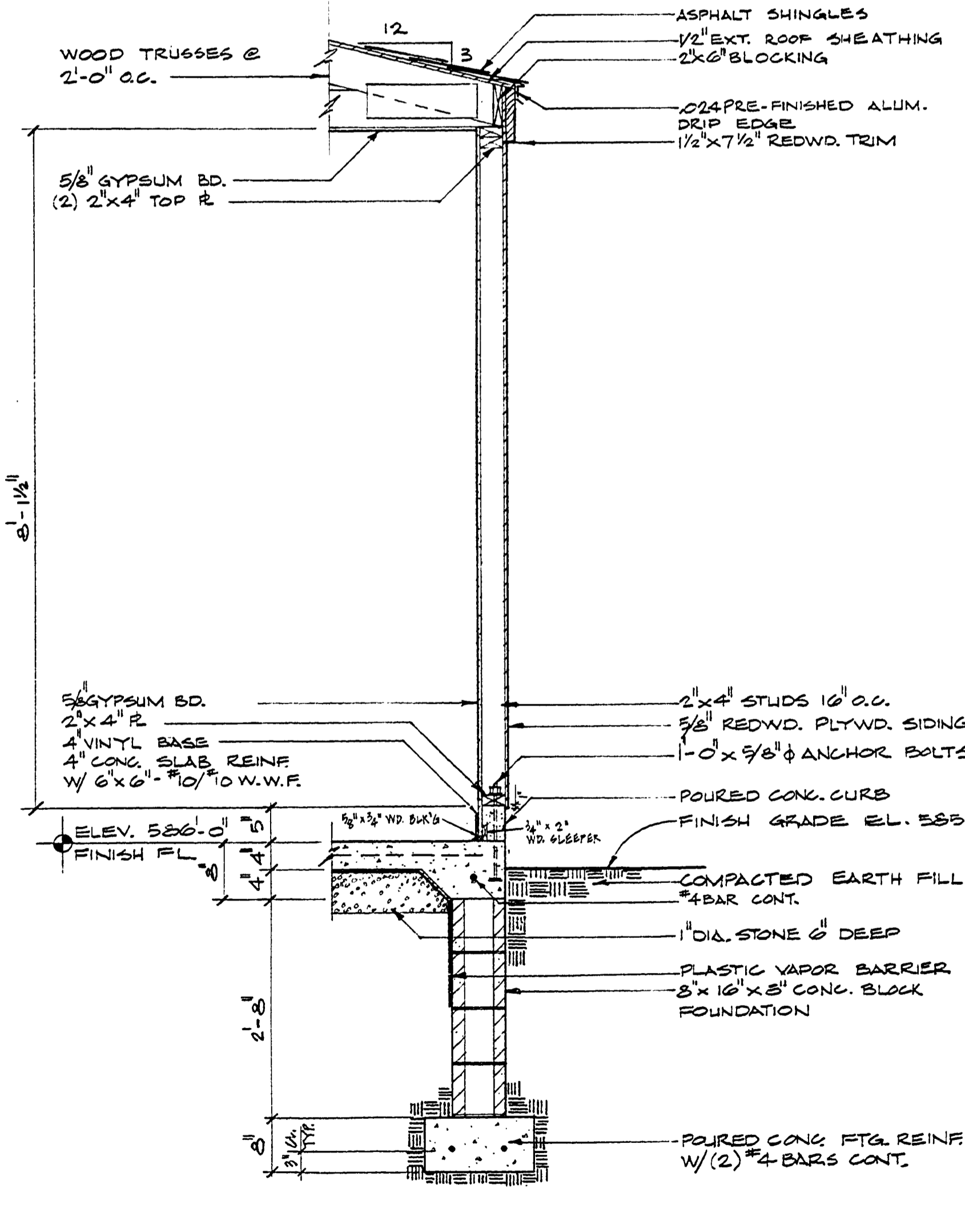


PARTIAL WALL SECTION 37
SCALE 3/4"=1'-0"

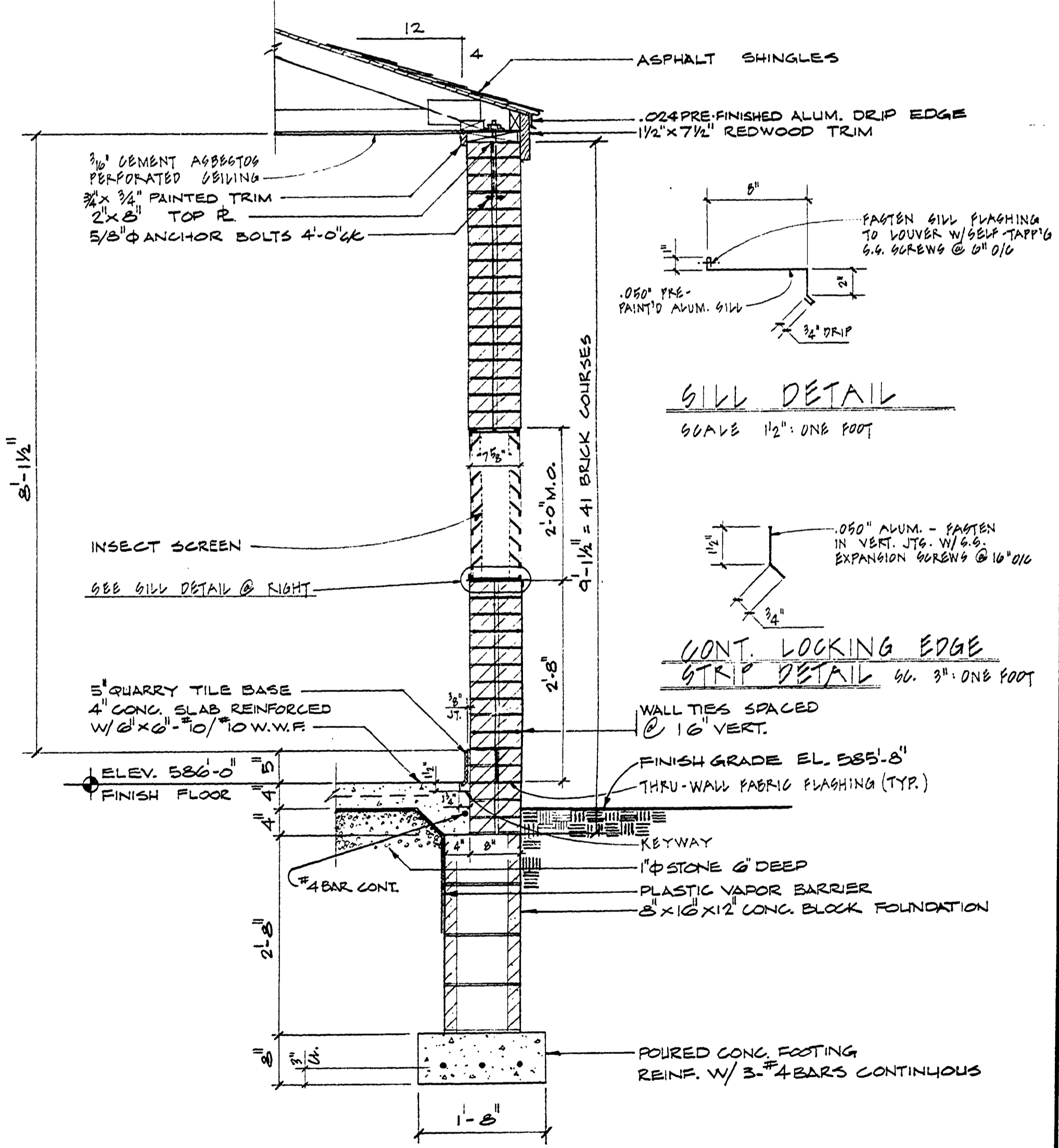
PARTIAL WALL SECTION 38
SCALE 3/4"=1'-0"



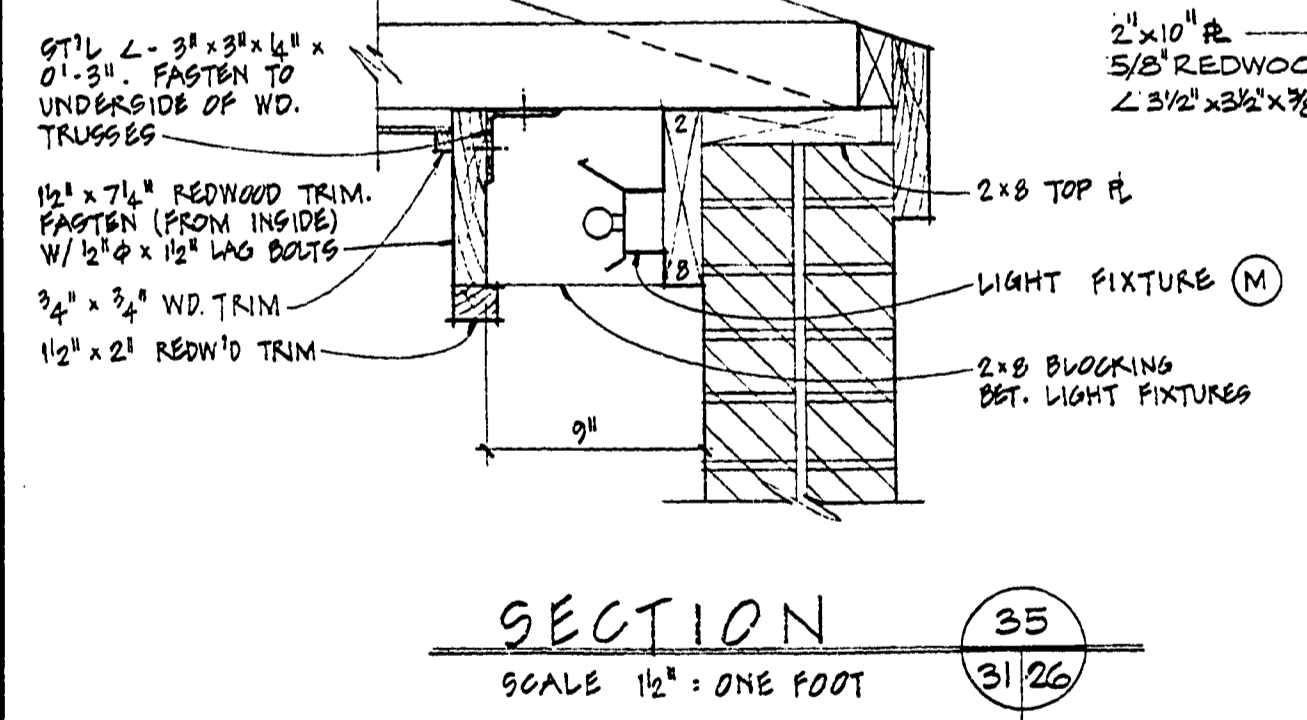
DETAIL 34
SCALE 3/4"=1'-0"



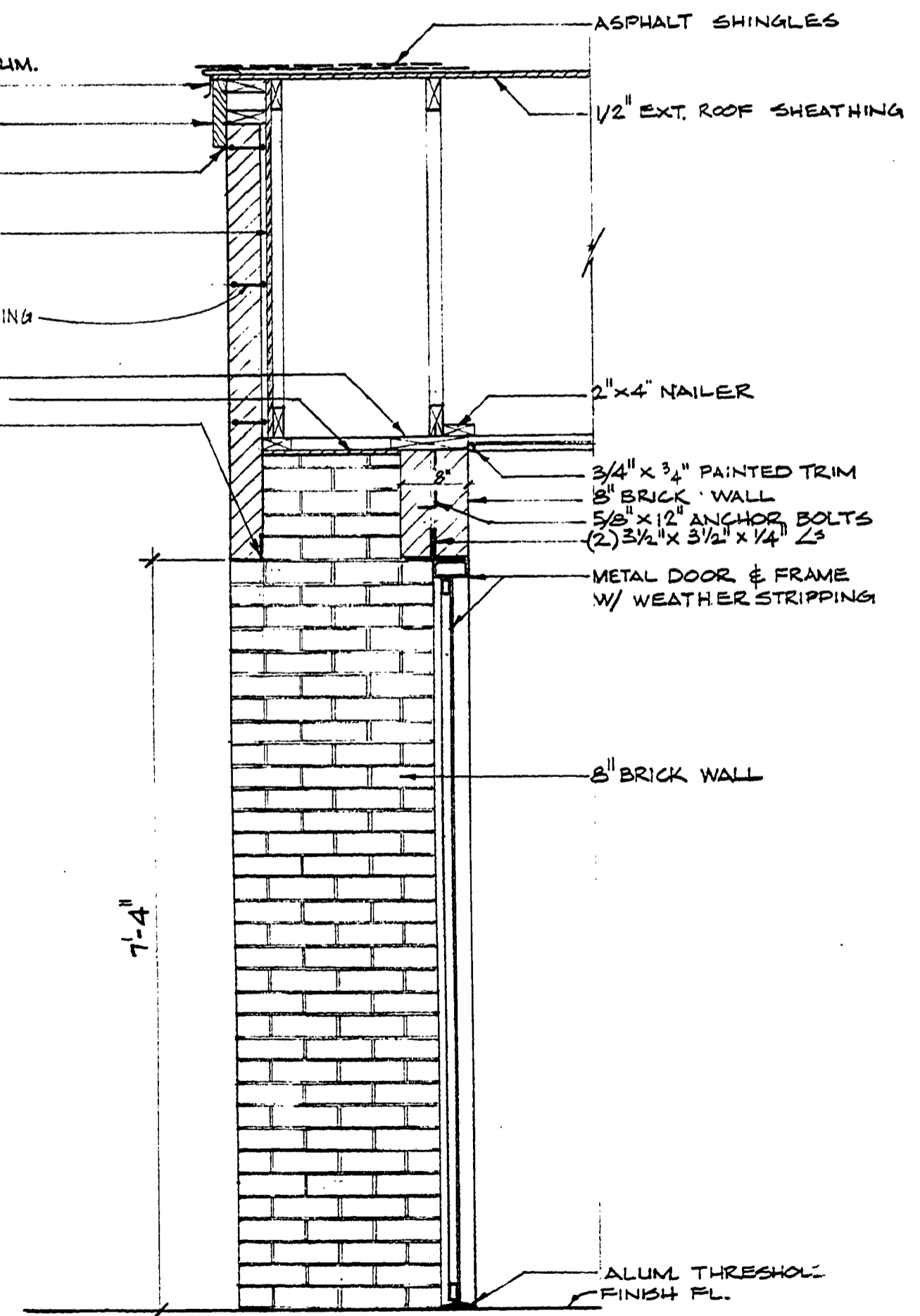
WALL SECTION 40
SCALE 3/4"=1'-0"



WALL SECTION 39
SCALE 3/4"=1'-0"



SECTION 35
SCALE 1/2"=ONE FOOT



DOOR DETAIL 42
SCALE 3/4"=1'-0"

| | | | | | | | | | | | | | | | | | | | |
|-------------|--|----------------|--|-------------|--|-----------|--|-------------|--|-----------|--|--|--|-------------------------|--|---------------------|--|---------------------|--|
| SURVEYED BY | | DRAWN BY J. H. | | NO. DATE BY | | REVISIONS | | NO. DATE BY | | REVISIONS | | MICHIGAN DEPARTMENT OF NATURAL RESOURCES | | WALL SECTIONS & DETAILS | | BAY CITY | | PROJECT NO. 24-1582 | |
| DESIGNED BY | | CHECKED BY | | 1. | | | | 3. | | | | DEPARTMENT OF NATURAL RESOURCES | | SHEET TITLE | | BEACH HOUSE PROJECT | | SHEET 26 OF 34 | |
| DATE | | DATE | | 2. | | | | 4. | | | | | | | | | | PLAN NO. A-111 | |