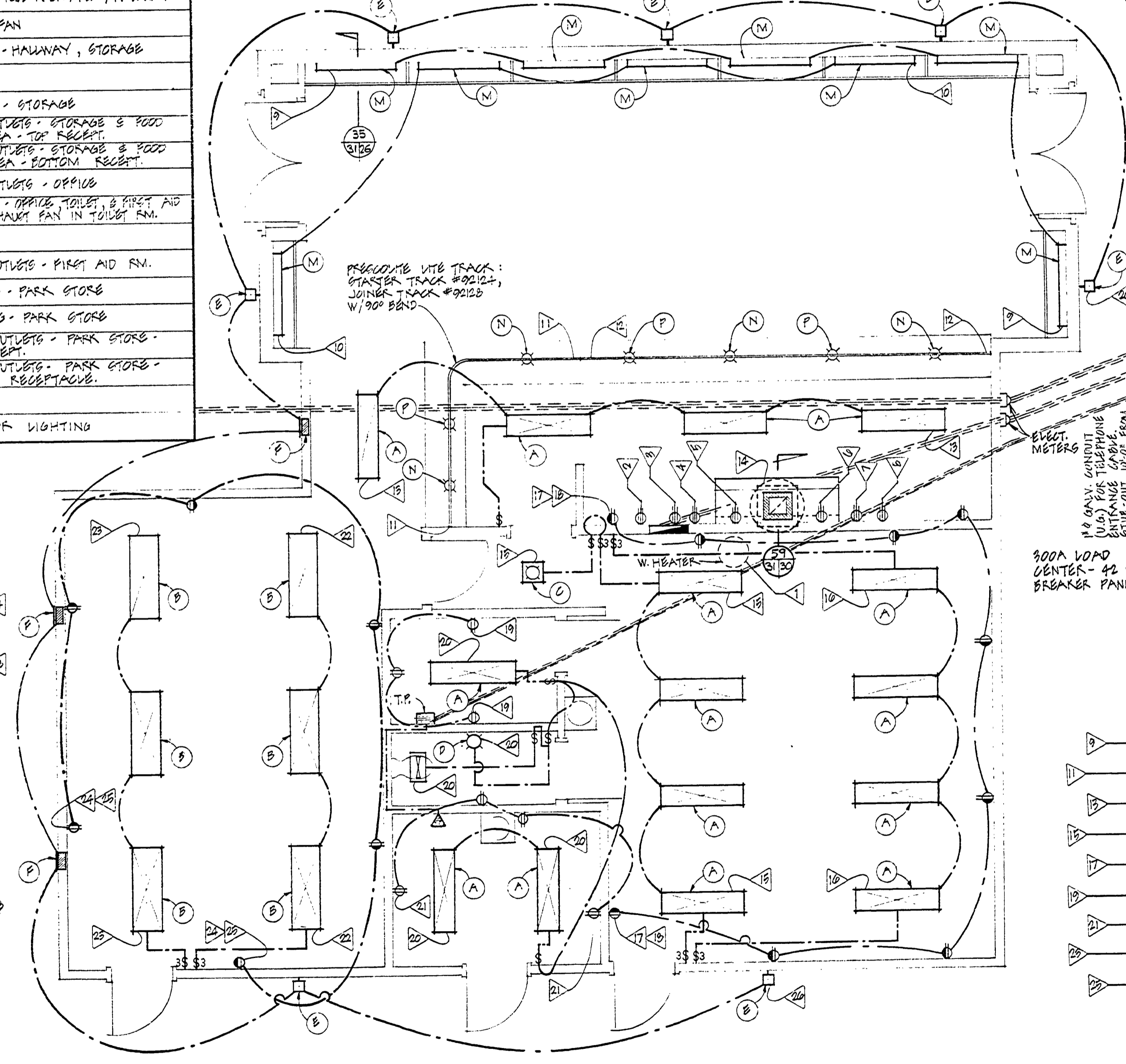


ELECTRICAL PLAN @ BEACH HOUSE ('A' CIRCUITS)

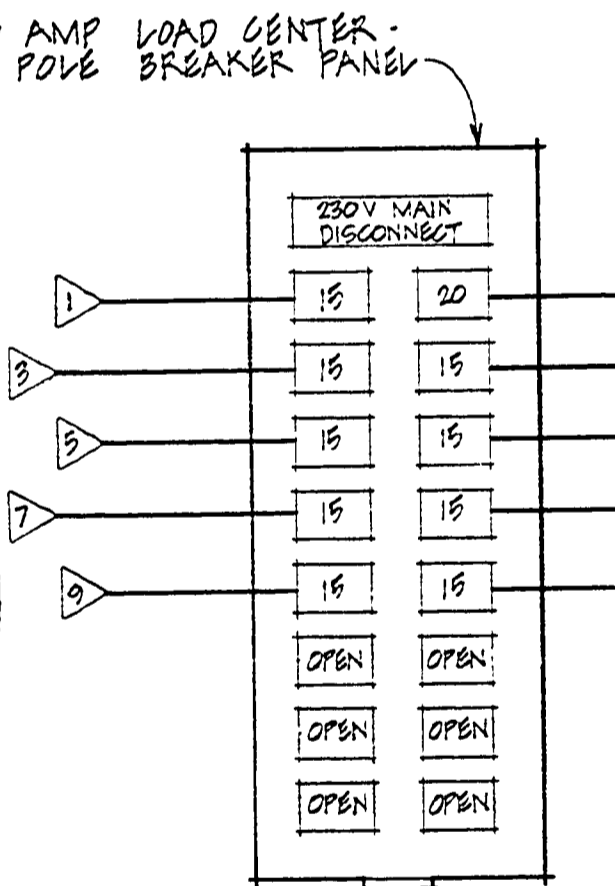
| ELECT. PANEL SCHEDULE - PANEL 'B' | | |
|-----------------------------------|-------|--|
| CIRCUIT NO | VOLTS | REMARKS |
| 230 | | WATER HEATER |
| 230 | | SPECIAL OUTLET |
| 230 | | SPECIAL OUTLET |
| 230 | | SPECIAL OUTLET |
| 230 | | SPECIAL OUTLET |
| 230 | | SPECIAL OUTLET |
| 230 | | SPECIAL OUTLET |
| 230 | | SPECIAL OUTLET |
| 115 | | LIGHTING - CONCESSION |
| 115 | | LIGHTING - CONCESSION |
| 115 | | LIGHTING ABOVE SERVICE COUNTER (LIGHT TRACK) |
| 115 | | LIGHTING ABOVE SERVICE COUNTER (LIGHT TRACK) |
| 115 | | LIGHTING - FOOD PREP. AREA, HALLWAY |
| 115 | | GRILLE FAN |
| 115 | | LIGHTING - HALLWAY, STORAGE |
| 115 | | LIGHTING - STORAGE |
| 115 | | CONN. OUTLETS - STORAGE & FOOD PREP. AREA - TOP RECEPT. |
| 115 | | CONN. OUTLETS - STORAGE & FOOD PREP. AREA - BOTTOM RECEPT. |
| 115 | | CONN. OUTLETS - OFFICE |
| 115 | | LIGHTING - OFFICE, TOILET, & FIRST AID RM. EXHAUST FAN IN TOILET RM. |
| 115 | | CONN. OUTLETS - FIRST AID RM. |
| 115 | | LIGHTING - PARK STORE |
| 115 | | LIGHTING - PARK STORE |
| 115 | | CONN. OUTLETS - PARK STORE - TOP RECEPT. |
| 115 | | CONN. OUTLETS - PARK STORE - BOTTOM RECEPT. |
| 115 | | EXTERIOR LIGHTING |

| ELECT. LEGEND | |
|---------------|--|
| SYMBOLS | DESCRIPTION |
| ⊖ | CONVENIENCE OUTLET |
| ⊖ | CONN. OUTLET - SPLIT WIRE |
| ○ | FIXTURE IDENT. NO. |
| △ | CIRCUIT IDENT. NO. |
| ⊗ | INCANDESCENT FIXTURE |
| ⊕ | FLUORESCENT FIXTURE |
| □ | CIRCUIT PANEL - SEE THIS SHEET |
| S | LIGHT SWITCH - MT. @ 45° ABOVE FIN. FLR. |
| M | EXH. METER |
| T.P. | TELEPHONE PANEL |
| △ | TELEPHONE OUTLET |

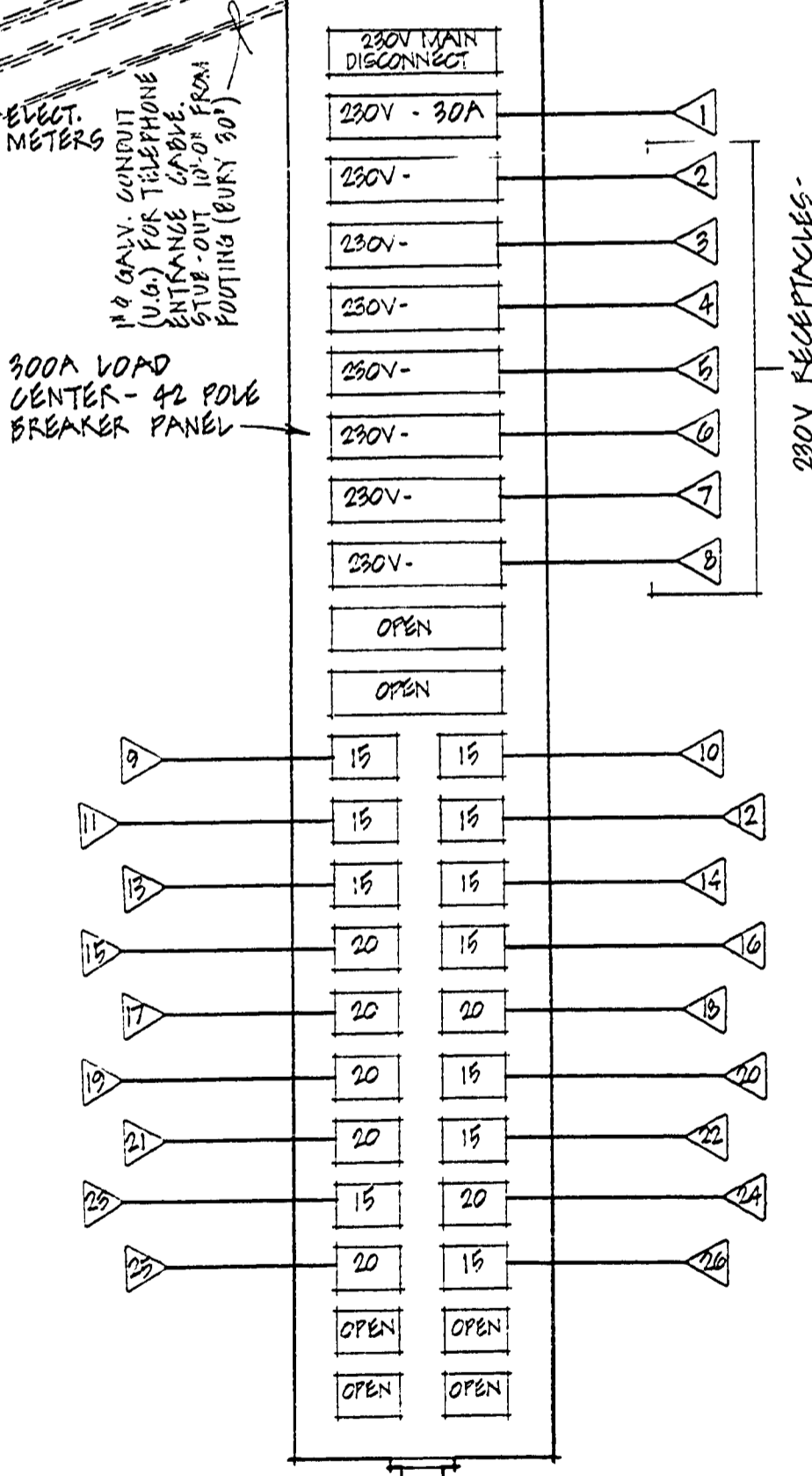
| LIGHTING FIXTURE SCHEDULE | | | | | | |
|---------------------------|-----------|---------------------|-----------|--------------------|--|--|
| MARK | NO. REQ'D | MFG. & R. | CAT. NO. | WATTAGE | REMARKS | LOCATION |
| A | 15 | DAY - BRITE | 2527-4 | 2-20W R.F. FLUOR. | SURFACE MTD. FIXTURE | CONCESSION BUDG - SEE PLAN |
| B | 6 | DAY - BRITE | 2527-4 | 2-20W R.F. FLUOR. | SURFACE MTD. FIXTURE | PARK STORE #12 |
| C | 1 | NO PHILBEN | 4M-1524 | 1-75W INCAND. | RECESSED FIXTURE | HALLWAY #11 |
| D | 1 | GOUX | AKV 64 | 2-75W INCAND. | WALL MTD. FIXTURE @ 6" ABOVE FIN. FLR. | TOILET #14 |
| E | 11 | MOLDCAST | 1019 MBA | 1-75W INCAND. | EXT. WALL MTD. @ 6" OF EXT. @ 4" ABOVE GRADE | EXT. FACE OF BOTH BUDG. |
| F | 9 | NO PHILBEN | 95-2646 | 1-100W A19 INCAND. | RECESSED STEP LIGHTS | EXT. OF CONCESSION BUDG. |
| G | 4 | NO PHILBEN | 95-2646 | 1-100W INCAND. | RECESSED STEP LIGHTS | EXT. OF BEACH HOUSE |
| H | 1 | NO PHILBEN | 95-2646 | 1-100W INCAND. | RECESSED IN WALL @ 6" ABOVE FIN. FLR. TO & | WOMEN'S TOILET |
| I | 2 | GOUX | POI-R-121 | 1-20W R.F. FLUOR. | WOMEN'S TOILET #2 | WOMEN'S TOILET #2 |
| J | 2 | STD. PORCELAIN FIX. | - | 1-20W INCAND. | - | PIPE GRACE #3 |
| K | 20 | FENAL | #3009 | 1-100W INCAND. | SURFACE MTD. @ 6" OF ABOVE FIN. FLR. TO & | MEN'S & WOMEN'S CHANGE OT., TOILET & ENTRANCES |
| L | 9 | GOUX | PIOLA-141 | 1-20W R.F. FLUOR. | 666 DETAIL | CONCESSION #9 |
| M | 4 | PRECOITS | #93487 | 1-100W INCAND. | MOUNT IN LIGHT TRACK | ABOVE FOOD SERVICE CTR. |
| N | 5 | PRECOITS | - | 1-100W INCAND. | FOOD WARMING FIXTURES | ABOVE FOOD SERVICE CTR. |



ELECTRICAL PLAN @ CONCESSION ('B' CIRCUITS)



CIRCUIT PANEL 'A'



CIRCUIT PANEL 'B'

| ELECTRICAL PANEL SCHEDULE - PANEL 'A' | | |
|---------------------------------------|-------|---|
| CIRCUIT NO | VOLTS | REMARKS |
| 115 | | LIGHTING - PIPE CHASE |
| 115 | | CONN. OUTLET - PIPE CHASE |
| 115 | | LIGHTING - MEN'S, WOMEN'S TOILETS |
| 115 | | LIGHTING - MEN'S, WOMEN'S TOILETS |
| 115 | | LIGHTING - MEN'S, WOMEN'S TOILETS |
| 115 | | LIGHTING - MEN'S, WOMEN'S TOILETS |
| 115 | | LIGHTING - ENTRANCE 'M', MEN'S CHANGE OT. |
| 115 | | LIGHTING - ENTRANCE 'N', MEN'S CHANGE OT. |
| 115 | | LIGHTING - ENTRANCE 'W', WOMEN'S CHANGE OT. |
| 115 | | LIGHTING - ENTRANCE 'V', WOMEN'S CHANGE OT. |
| 115 | | EXTERIOR LIGHTING |