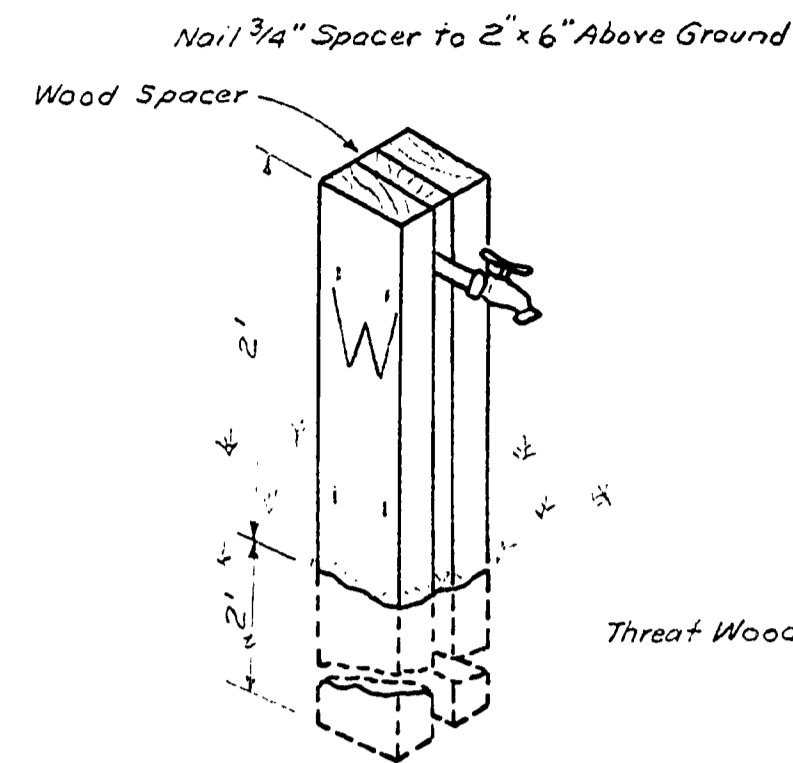
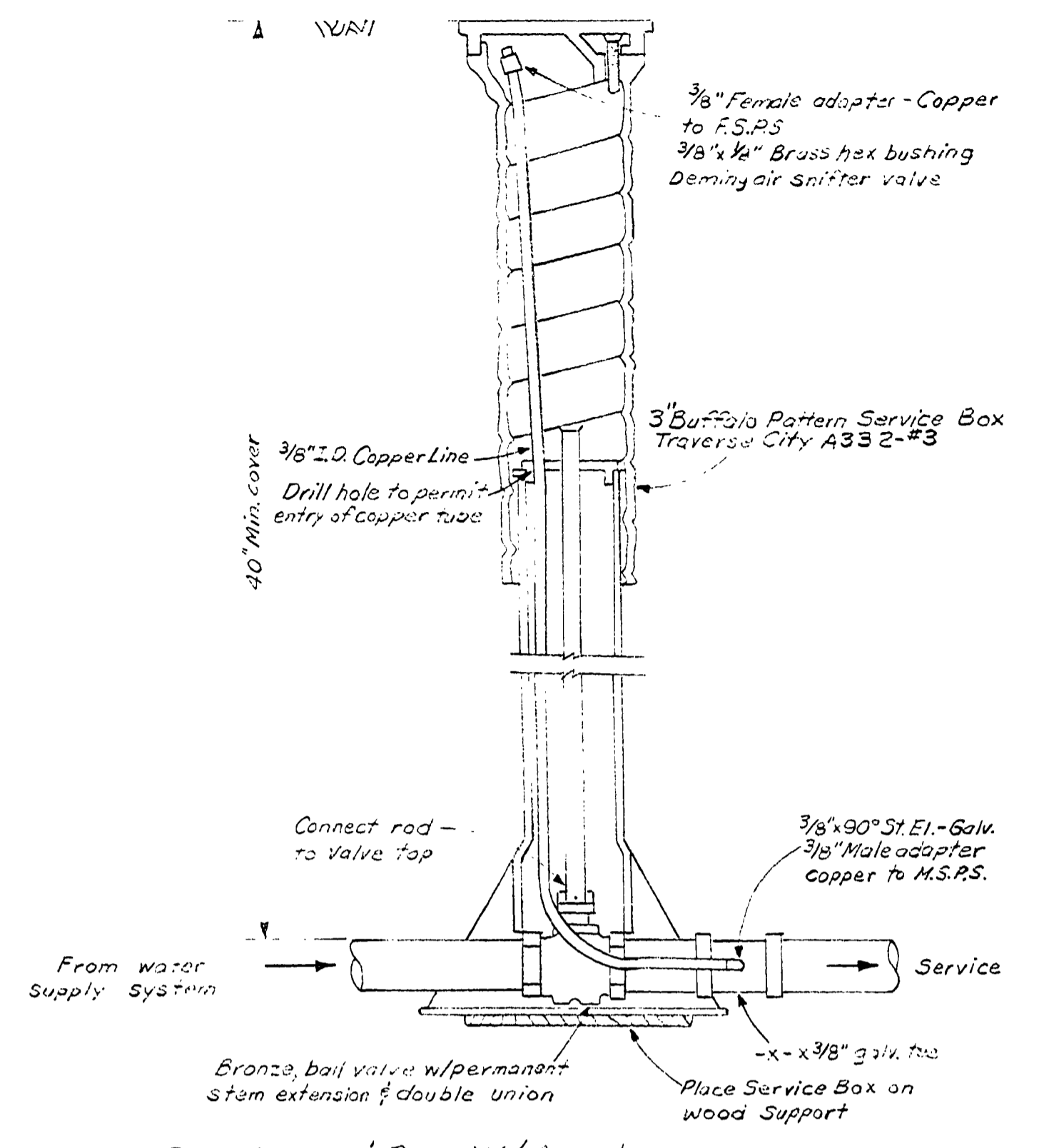
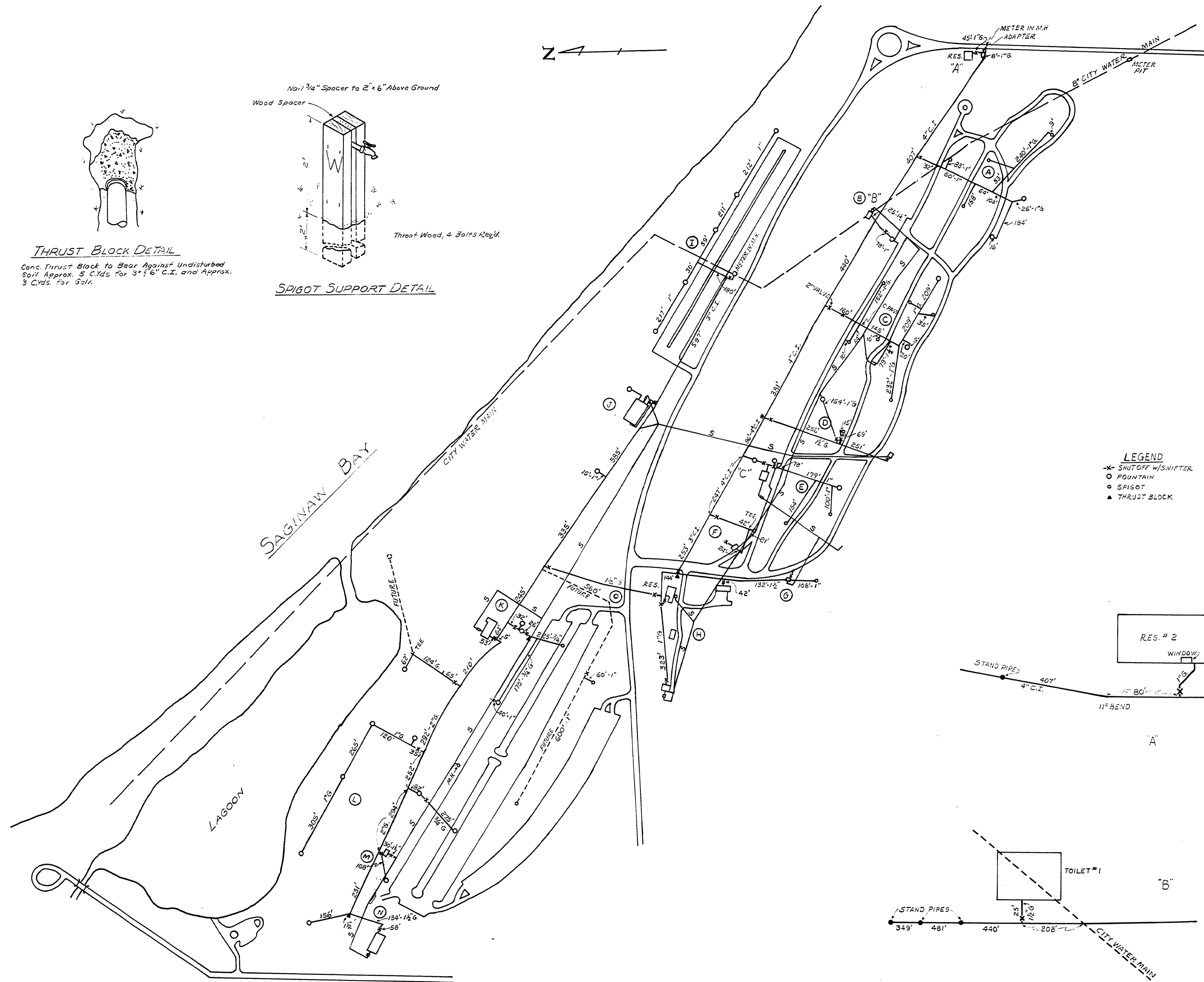


**THRUST BLOCK DETAIL**

Conc. Thrust Block to Bear Against Undisturbed Soil Approx. 5 C.I.s for 3" x 6" C.I. and Approx. 3 C.I.s. for 3".

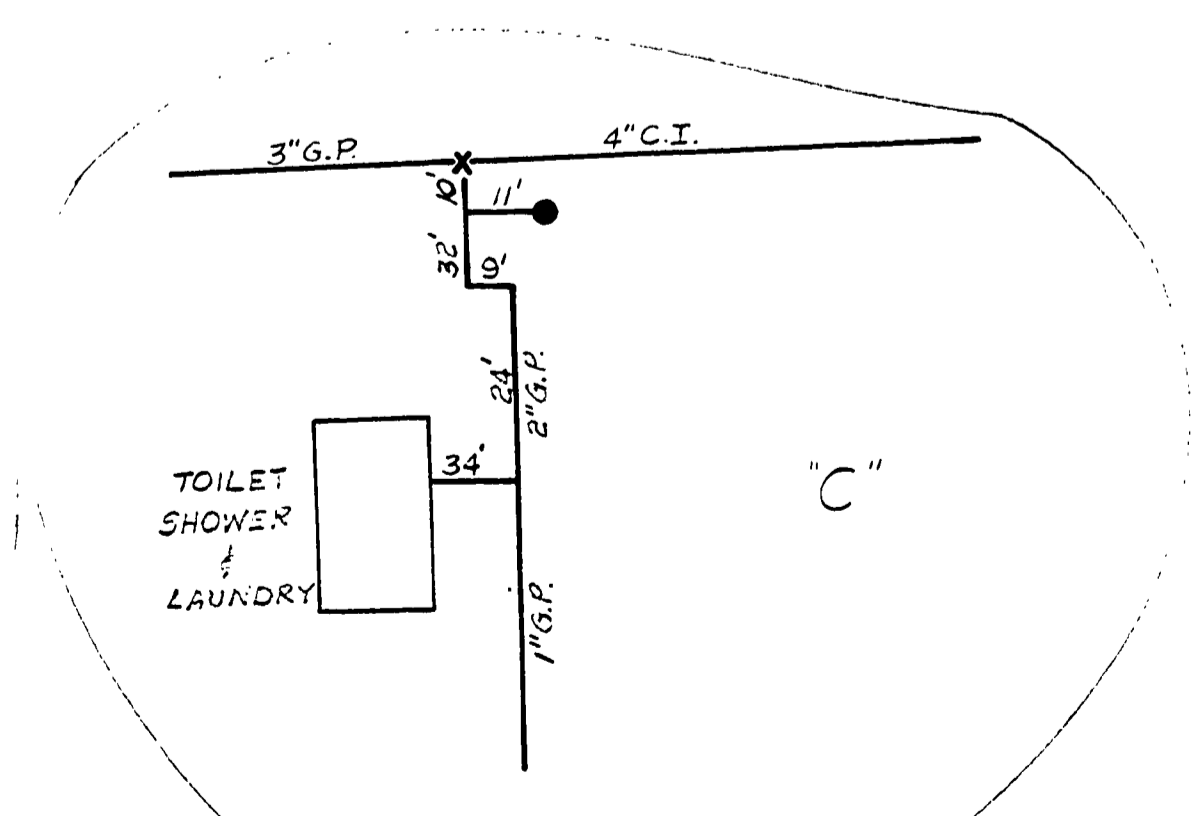
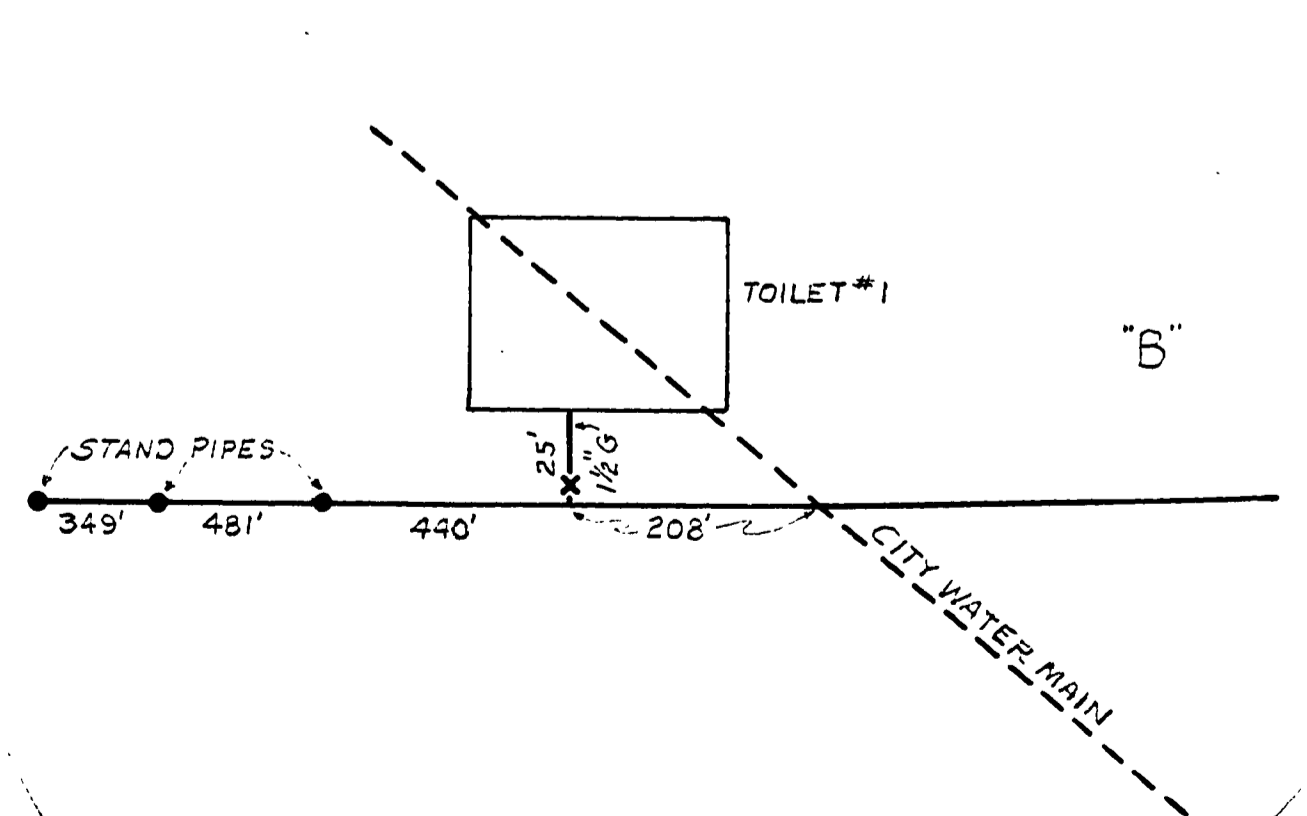
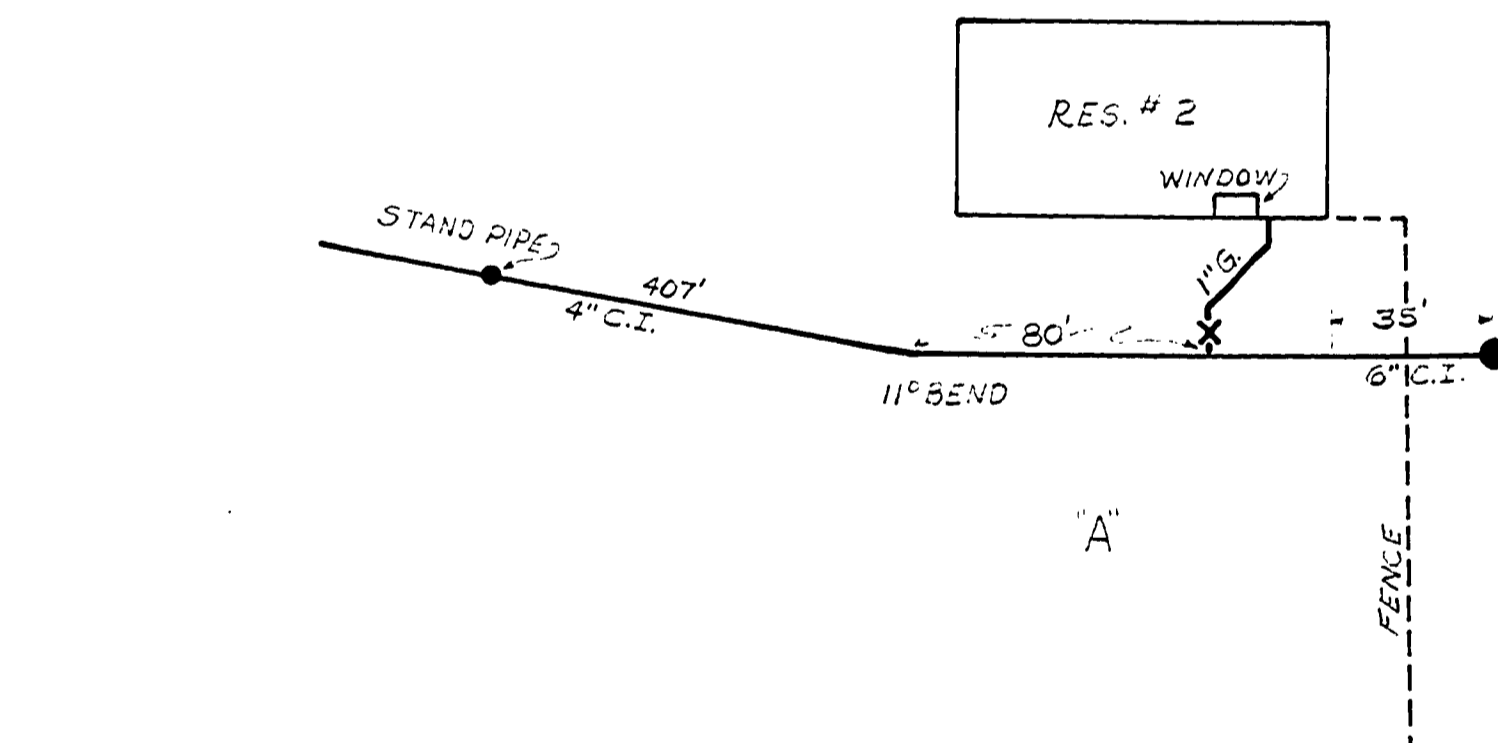


**SPIGOT SUPPORT DETAIL**



**BALL VALVE & BOX W/ AIR LINE**

- LEGEND**
- ✕ SHUTOFF W/ SWIFTER
  - FOUNTAIN
  - SPIGOT
  - ▲ THRUST BLOCK



SURVEYED BY	DRAWN BY	NO.	DATE	BY	REVISIONS	NO.	DATE	BY	REVISIONS	MICHIGAN DEPARTMENT OF NATURAL RESOURCES	AREA OR PARK BAY CITY STATE PARK	PROJECT NO.
DESIGNED BY	CHECKED BY	1.	3-77	D.R.B.	REDRAWN - AS BUILT	3.				LINE LOCATION & CONST. DETAILS	PROJECT WATER LINES	SHEET 1 OF 1
DATE	DATE	2.				4.				SHEET TITLE		PLAN NO. E-119