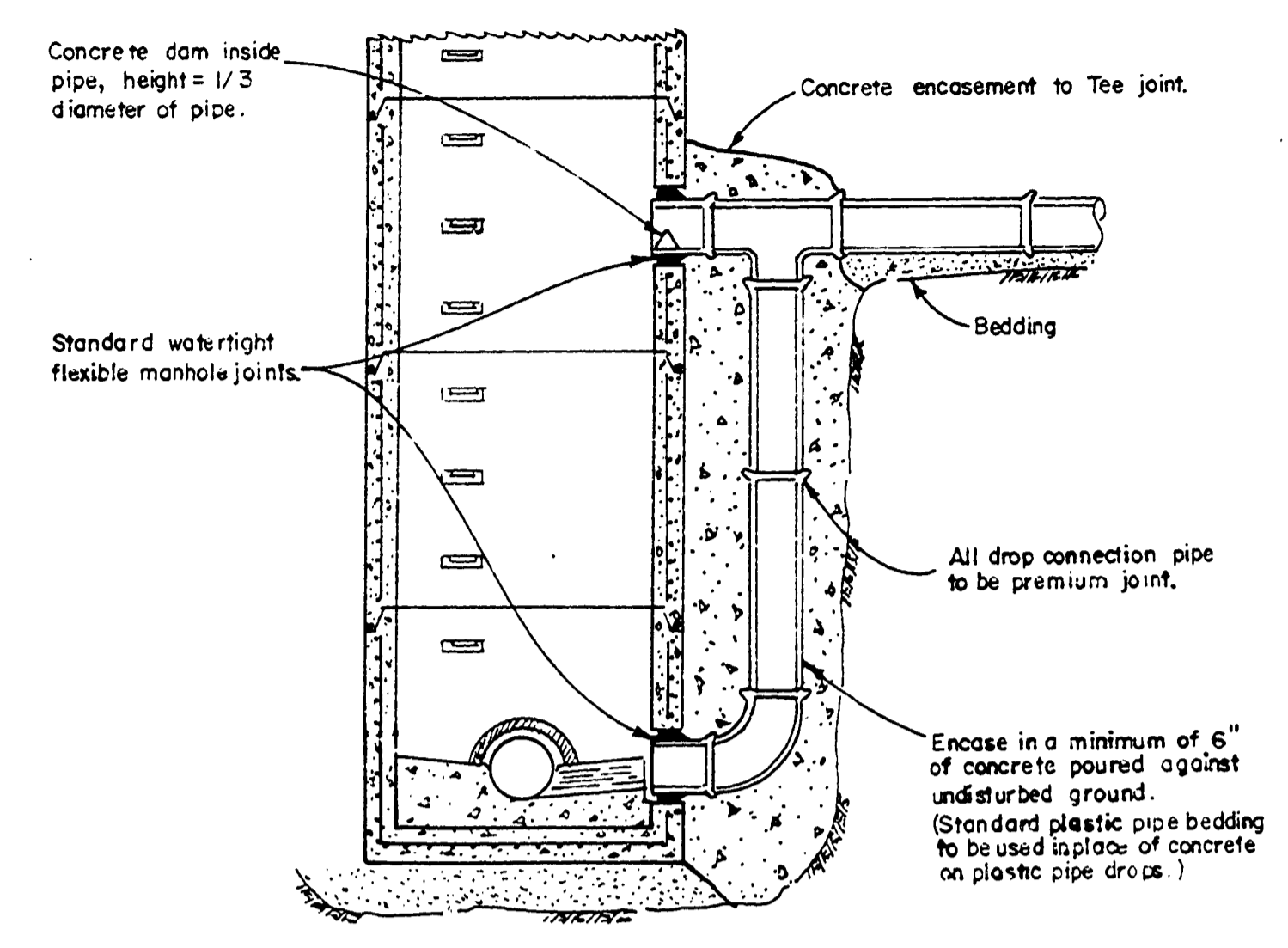
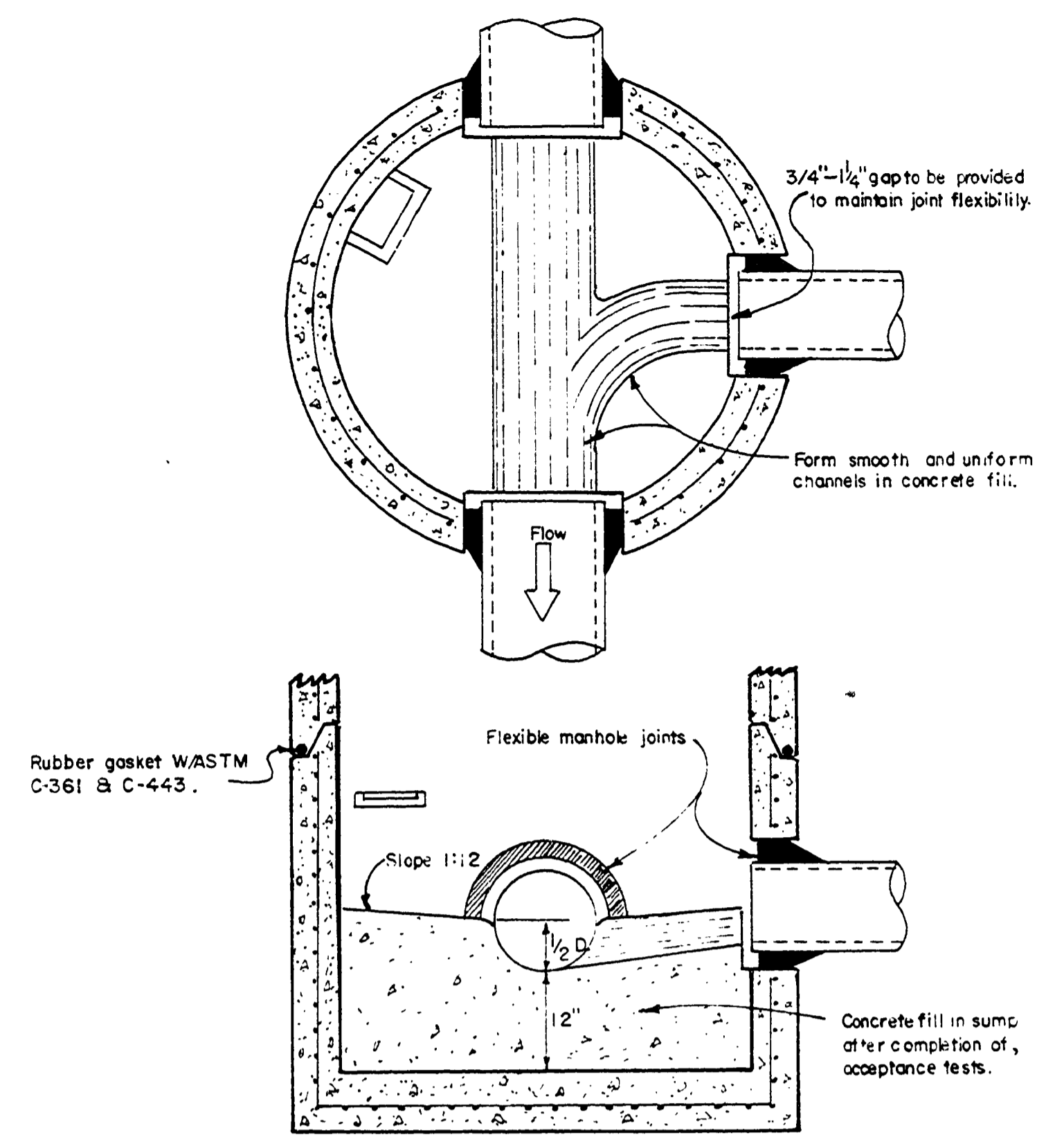


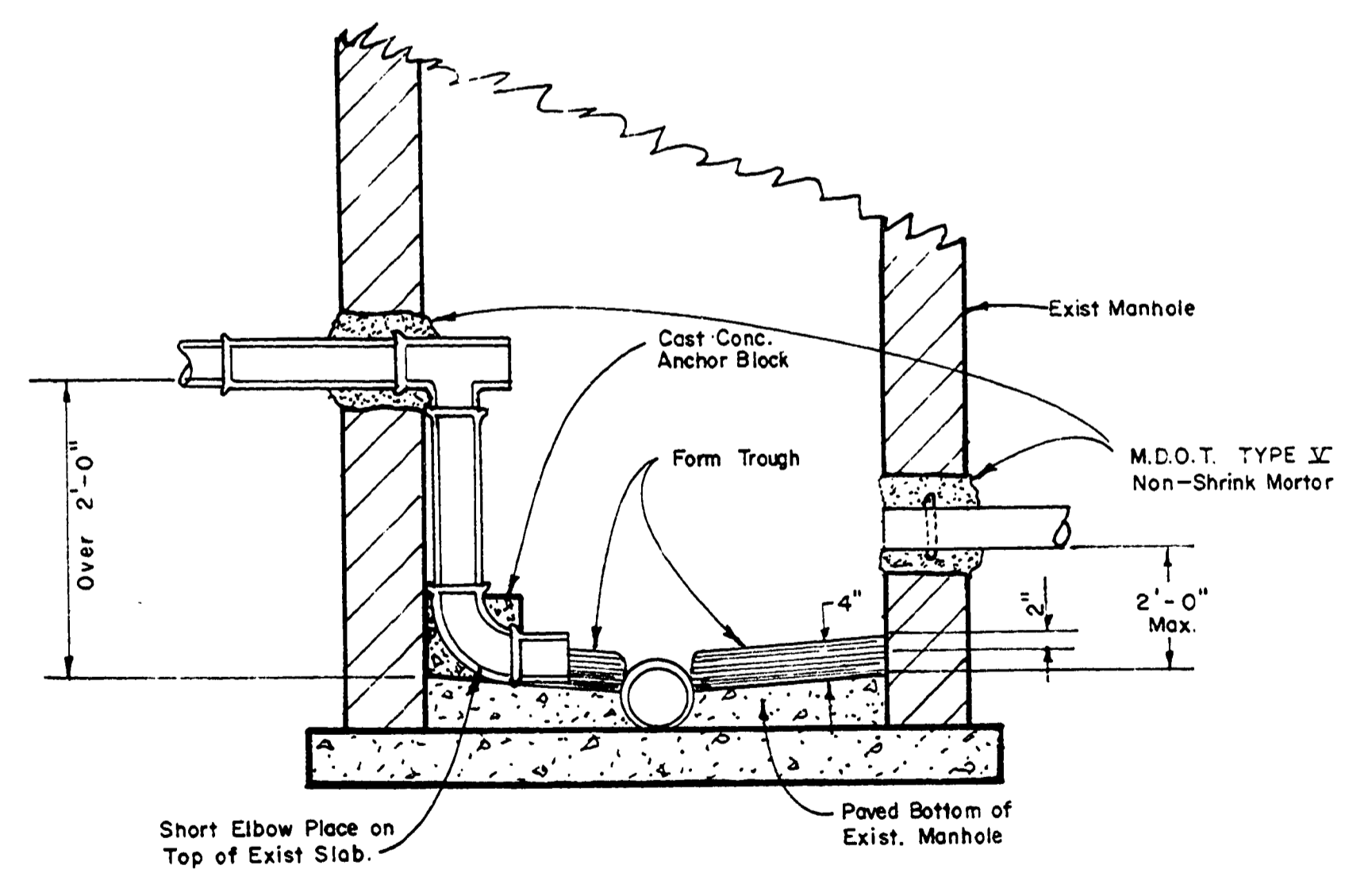
STANDARD MANHOLE



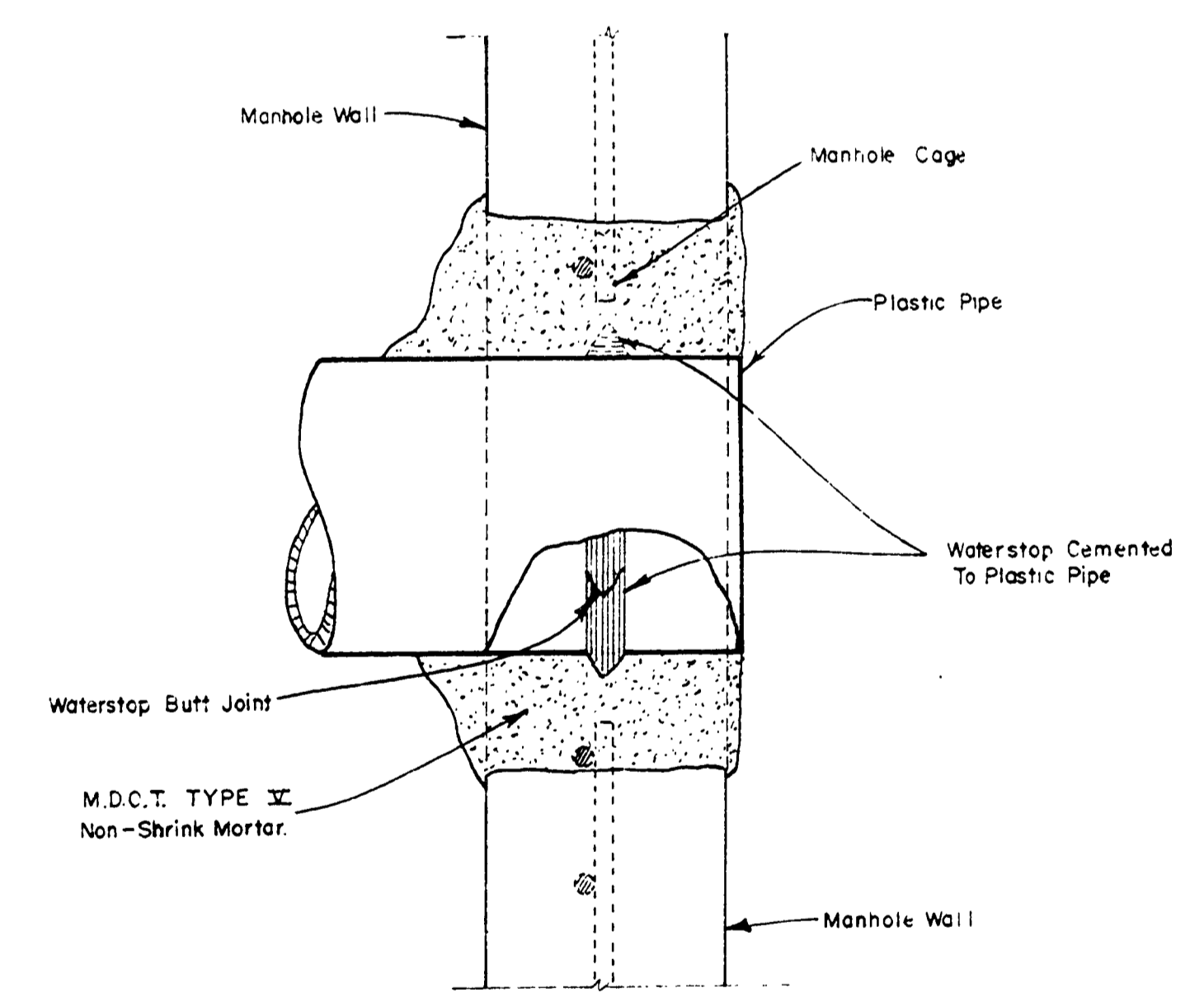
DROP MANHOLE CONNECTION



SUMP MANHOLE



NEW CONNECTION AT EXISTING MANHOLE



PLASTIC PIPE MANHOLE JUNCTION

SURVEYED BY	DRAWN BY	NO.	DATE	BY	REVISIONS	NO.	DATE	BY	REVISIONS	MICHIGAN DEPARTMENT OF NATURAL RESOURCES	STANDARD MANHOLE SHEET TITLE	BAY CITY STATE PARK AREA OR PARK TOWNSHIP SEWER CONNECTION PROJECT	PROJECT NO. 24-2491
DESIGNED BY	CHECKED BY	1.				3.							SHEET 4 OF 4 PLAN NO. E-120
	DATE	2.				4.							