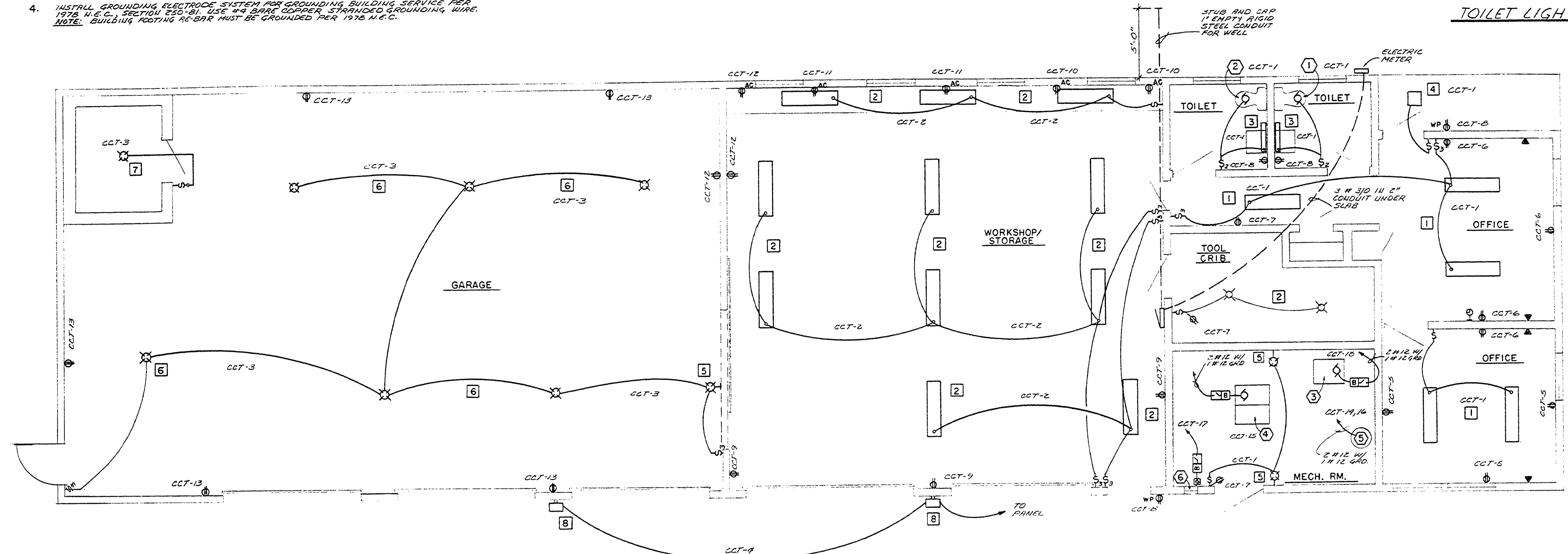
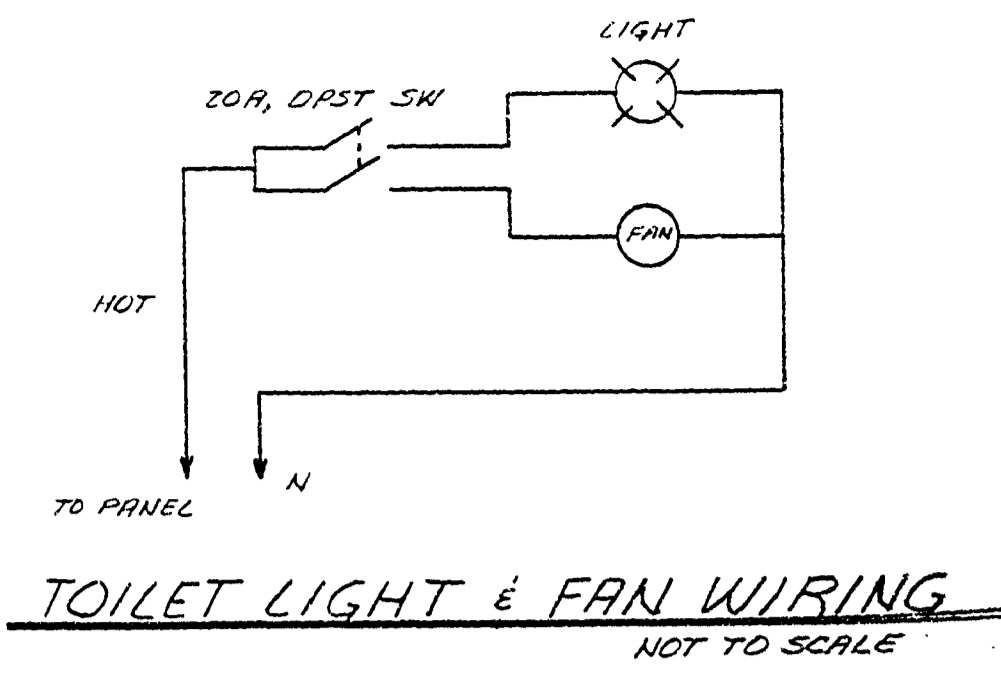


ELECTRICAL NOTES

1. WIRING - TYPE THHN - THWN STRANDED COPPER SIZE #12 IN EMT CONDUIT UNLESS OTHERWISE NOTED ON THE PLANS. PROVIDE A SEPARATE GREEN GROUNDING WIRE FOR EACH CIRCUIT.
2. FLEXIBLE STEEL CONDUIT FOR CONNECTIONS TO MECHANICAL EQUIPMENT SHALL BE OF THE SINGLE STRIP INTERLOCK TYPE GALVANIZED INSIDE AND OUTSIDE AND SHALL BE U/L LISTED.
3. CIRCUIT BREAKERS - MOLDED CASE CIRCUIT BREAKERS SHALL BE SUPPLIED IN THE CURRENT RATING AND POLE COMBINATIONS INDICATED ON THE DRAWINGS. ALL CIRCUIT BREAKERS SHALL BE RATED 10,000 AMPERE INTERRUPTING CAPACITY MINIMUM.
4. INSTALL GROUNDING ELECTRODE SYSTEM FOR GROUNDING BUILDING SERVICE PER 1978 N.E.C. SECTION 250-81. USE #4 BARE COPPER STRANDED GROUNDING WIRE. NOTE: BUILDING FOOTING RE-BAR MUST BE GROUNDING PER 1978 N.E.C.

5. CONDUIT MAY BE EXPOSED IN THE GARAGE, WORKSHOP, MECHANICAL ROOM AND COLD STORAGE BUILDING ONLY. ALL OTHER AREAS SHALL HAVE CONCEALED CONDUIT AND FLUSH MOUNTED DEVICE BOXES.
6. RELAYS - SQUARE D GENERAL PURPOSE CONTROL RELAY CLASS B501 TYPE CO1 WITH 24 VOLT AC COIL VOLTAGE IN A NEMA-1 ENCLOSURE SQUARE D CLASS 9991 TYPE UE-1.
7. SWITCHED BUSS FUSTAT - BUSS TYPE SSW FOR TYPE S DUAL ELEMENT FUSES.



ELECTRICAL SYMBOLS & ABBREVIATIONS

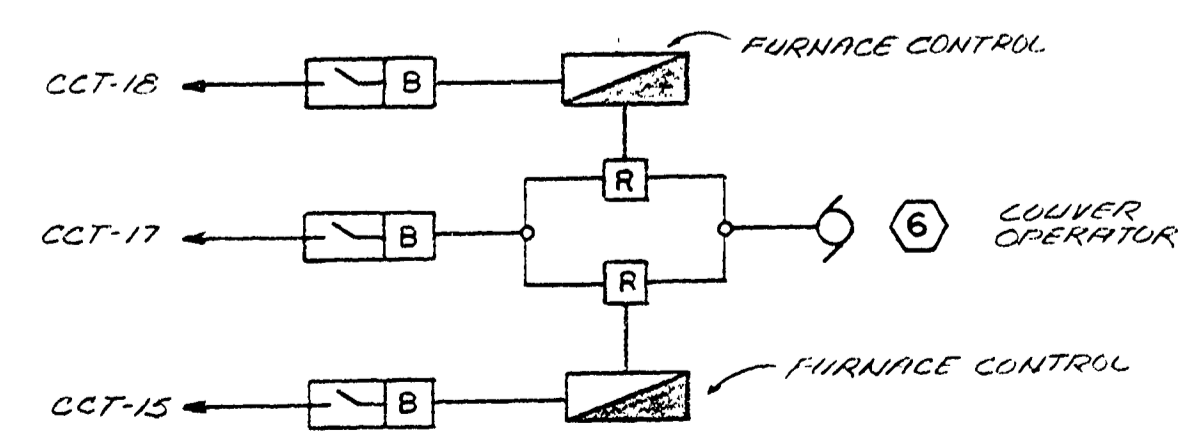
- WALL MOUNTED EXTERIOR FIXTURE
- CEILING MOUNTED INCANDESCENT FIXTURE
- WALL MOUNTED INCANDESCENT FIXTURE
- FLUORESCENT FIXTURE
- SQUARE CEILING MOUNTED EXTERIOR FIXTURE
- CONVENIENCE OUTLET
- WP WATER PROOF OUTLET
- AC ABOVE COUNTER OUTLET
- SINGLE PHASE MOTOR
- SINGLE POLE SWITCH
- TWO POLE SWITCH
- THREE WAY SWITCH
- RELAY
- SWITCH WITH 1/2"
- SWITCH AND OUTLET
- SWITCHED BUSS FUSTAT
- FURNACE CONTROL
- CCT CIRCUIT
- PHONE OUTLET
- CLOCK OUTLET, 7"-0" AFF
- SURFACE MOUNTED PANEL BOARD
- AFF ABOVE FINISHED FLOOR

NO.	MFR.	CATALOG NO.	DESCRIPTION	LAMPS	DIFFUSER	REMARKS
1	DAYBRITE	V11240	1x9 SURFACE MOUNT FLUORESCENT FIXTURE	2-90W RS	HIGH IMPACT CLEAR ACRYLIC	
2	DAYBRITE	4N3R	1x9 CHAIN HUNG FLUORESCENT	3-90W RS	#1-54095-CO1 1) GAUGE WIRE GUARD	CHAIN HUNG 8'-0" ABOVE FINISHED FLOOR. LOW TEMPERATURE BALLAST
3	PHOSCOLITE	3067	2' WALL MOUNT FLUORESCENT	(1)-20W TRIGGER START	PLASTIC	MOUNT ABOVE MIRROR
4	McPHILBEN	B11BE-RS	EXTERIOR SQUARE RECESSED INCANDESCENT	1-150W INCAN.	COATING PYREX W/ SUPPLEMENTARY HIGH IMPACT	DBL. GASKETS, TAMPER PROOF, & WEATHER TIGHT INSTALLATION
5	LEVITON	9875	STANDARD INCANDESCENT PORCELAIN FIXTURE	1-100W A-19		WALL MOUNT ABOVE DOOR
6	STEBER	AP-212-RV	12" Ø STANDARD REFLECTOR W/ WIRE GUARD	1-100W A-19	RS-12 WIRE GUARD	CEILING MOUNT ON BOTTOM CHORD OF TRUSSES
7	CRUISE-HINDS	EVX	CEILING MOUNT INCANDESCENT	1-100W A-19	NONE	PROVIDE WITH GUARD CLASS 1, DIV 2 HAZARDOUS LOCATION
8	McGRAW EDISON	FW 1831	EXTERIOR WALL MT. HIGH PRESSURE SODIUM ATX	1-150W	TEMPERED GLASS W/ WINDL SHIELD	MOUNT 10'-0" ABOVE GROUND

SERVICE PANEL
U.L. LISTED FOR "SERVICE ENTRANCE," SURFACE MOUNTED, BOTTOM FEED, 200A, 120/240V-1Ø-3W+SU, 3Ø SINGLE POLE BRANCH CAPACITY
BREAKERS
200A MAIN
12-20A-1Ø - LIGHTS & RECP.
1-20A-1Ø GFI - BATH & EXTERIOR RECP.
1-15A-1Ø - FURNACE
1-15A-1Ø - FURNACE
1-15A-1Ø - COMBUSTION AIR LOUVER
1-15A-2Ø - WATER HEATER
1-30A-2Ø - COLD STORAGE BLDG.
2-20A-1Ø - SPARES
8-1Ø - SPARES

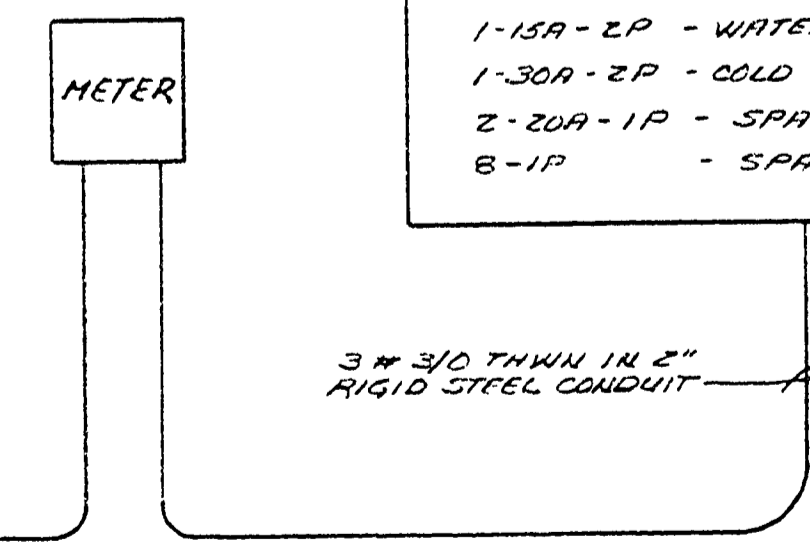
MOTOR SCHEDULE

1. TOILET ROOM CEILING EXHAUST FAN, 1/10 HP, 120V-1Ø
2. SAME AS 1
3. GAS FIRED FURNACE, BLOWER MOTOR 1/8 HP - 120V-1Ø
4. GAS FIRED FURNACE, BLOWER MOTOR 1/8 HP - 120V-1Ø
5. WATER HEATER, 2000W, 6.33AMP, 120V-1Ø
6. COMBUSTION AIR LOUVER OPERATOR, SHALL FRACTIONAL HP, 120V-1Ø. INTERLOCK WITH 24V GAS VALVE OF BOTH FURNACES. (SEE DIAGRAM BELOW)



- NOTES:
1. CIRCUIT NUMBERS REPRESENT SINGLE POLE SPACES IN THE PANEL AND DO NOT CORRESPOND TO ACTUAL PANEL PHASING.
 2. LOADS ON THE PANEL ARE TO BE BALANCED BY ELECTRICAL CONTRACTOR AT TIME OF INSTALLATION.

RISER DIAGRAM



SURVEYED BY	DESIGNED BY J. BARKER	DRAWN BY V. MILLS	CHECKED BY M. LeCLAIRE	DATE 10/81	NO. 1	DATE	BY	REVISIONS	NO. 3	DATE	BY	REVISIONS	NO. 4	DATE	BY	REVISIONS			
MICHIGAN DEPARTMENT OF NATURAL RESOURCES													ELETRICAL FLOOR PLAN			BANDIC STATE PARK		PROJECT NO. 29,189	
PROJECT OFFICE/WORKSHOP/CARPORT													SHEET 6 OF 6		PLAN NO. A-109				